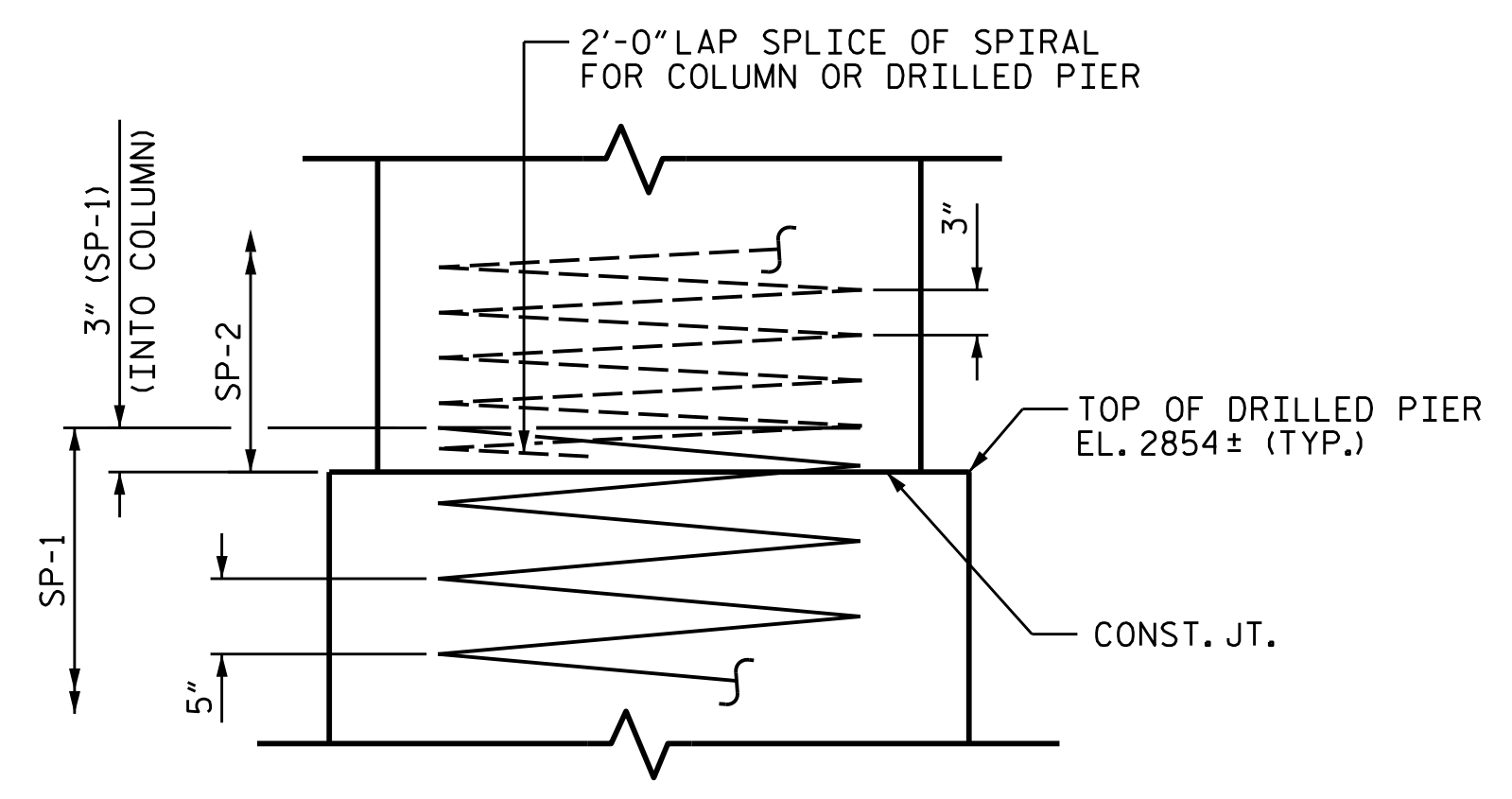
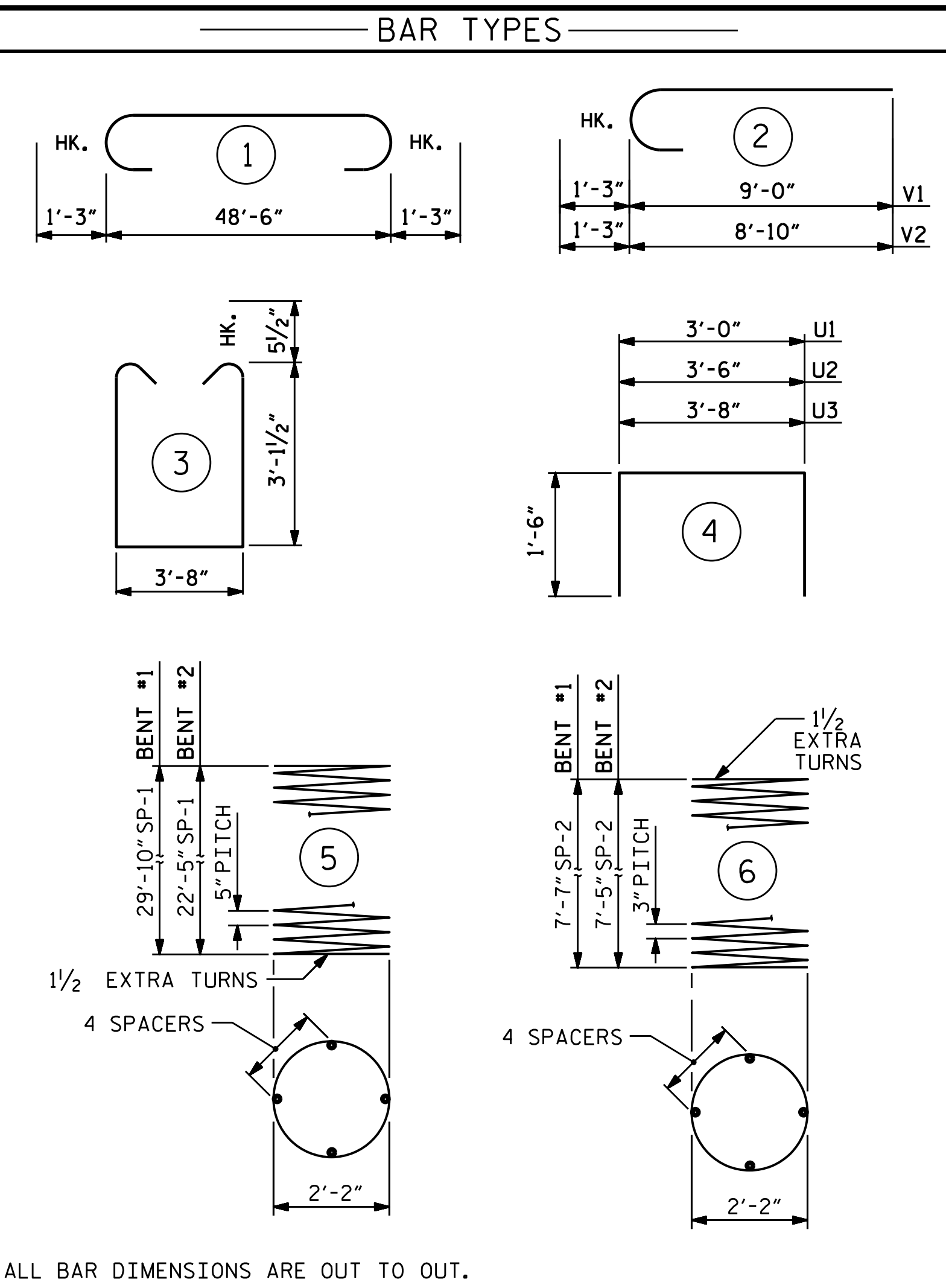


SECTION A-A

END VIEW
(TYP. EA. END)



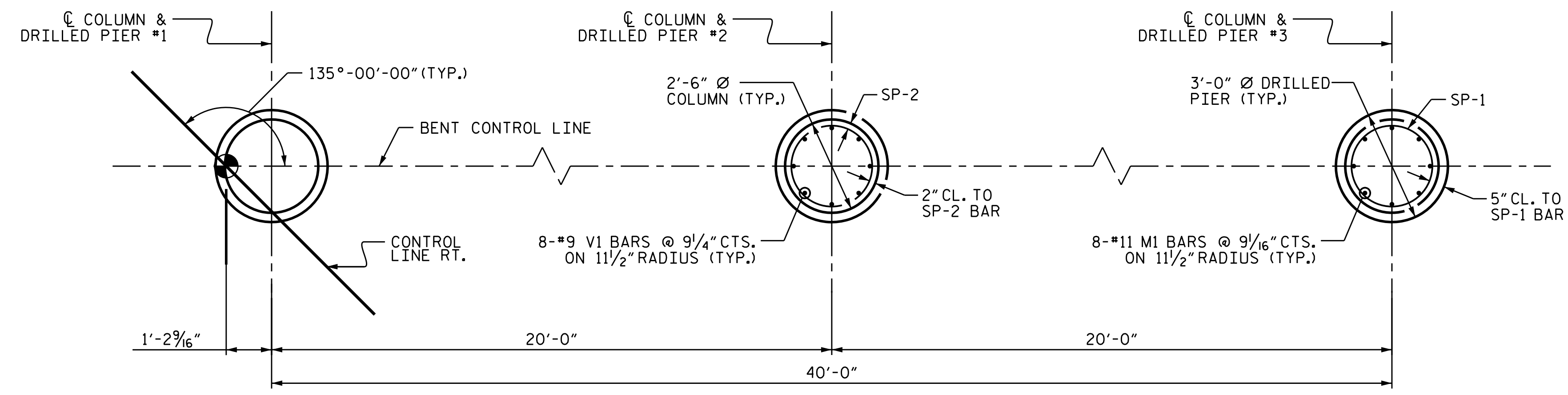
CONSTRUCTION JOINT DETAIL



ALL BAR DIMENSIONS ARE OUT TO OUT.

BILL OF MATERIAL											
BENT #1					BENT #2						
BAR	NO.	SIZE	TYPE	LENGTH	WEIGHT	BAR	NO.	SIZE	TYPE	LENGTH	WEIGHT
B1	7	#9	1	51'-0"	1214	B1	7	#9	1	51'-0"	1214
B2	8	#9	STR	48'-8"	1324	B2	8	#9	STR	48'-8"	1324
B3	4	#5	STR	48'-8"	203	B3	4	#5	STR	48'-8"	203
B4	7	#4	STR	18'-8"	87	B4	7	#4	STR	18'-8"	87
M1	24	#11	STR	37'-7"	4792	M2	24	#11	STR	30'-2"	3847
S1	52	#5	3	10'-10"	588	S1	52	#5	3	10'-10"	588
U1	10	#4	4	6'-0"	40	U1	10	#4	4	6'-0"	40
U2	6	#4	4	6'-6"	26	U2	6	#4	4	6'-6"	26
U3	39	#4	4	6'-8"	174	U3	39	#4	4	6'-8"	174
V1	24	#9	2	10'-3"	836	V2	24	#9	2	10'-1"	823
REINFORCING STEEL					9,284 LBS.	REINFORCING STEEL					8,326 LBS.
SP-1	3	**	5	491'-5"	1538	SP-1	3	**	5	371'-11"	1164
SP-2	3	***	6	215'-4"	432	SP-2	3	***	6	215'-4"	432
SPIRAL COLUMN REINFORCING STEEL					1,970 LBS.	SPIRAL COLUMN REINFORCING STEEL					1,596 LBS.
CLASS A CONCRETE BREAKDOWN						CLASS A CONCRETE BREAKDOWN					
POUR 2 (COLUMNS)					4.0 C.Y.	POUR 2 (COLUMNS)					3.9 C.Y.
POUR 3 (CAPS)					26.9 C.Y.	POUR 3 (CAPS)					26.9 C.Y.
TOTAL CLASS A CONCRETE					30.9 C.Y.	TOTAL CLASS A CONCRETE					30.8 C.Y.
DRILLED PIER CONCRETE BREAKDOWN POUR 1 (DRILLED PIERS)					23.8 C.Y.	DRILLED PIER CONCRETE BREAKDOWN POUR 1 (DRILLED PIERS)					18.0 C.Y.
3'-0" Ø DRILLED PIER IN SOIL : LINEAR FEET					49.9 FT.	3'-0" Ø DRILLED PIER IN SOIL : LINEAR FEET					32.7 FT.
3'-0" Ø DRILLED PIER NOT IN SOIL : LINEAR FEET					41.0 FT.	3'-0" Ø DRILLED PIER NOT IN SOIL : LINEAR FEET					36.0 FT.
CSL TUBES:					382 FT.	CSL TUBES:					293 FT.

** THE SP-1 SPIRAL REINFORCING STEEL SHALL BE W31 OR D-31 COLD DRAWN WIRE OR #5 PLAIN OR DEFORMED BAR.
*** THE SP-2 SPIRAL REINFORCING STEEL SHALL BE W20 OR D-20 COLD DRAWN WIRE OR #4 PLAIN OR DEFORMED BAR.

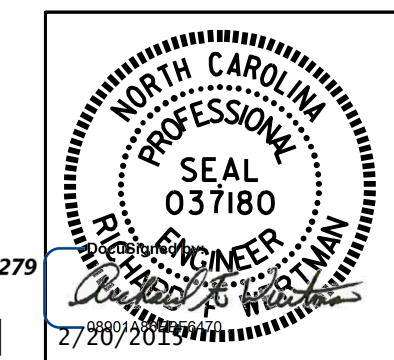


PLAN OF COLUMNS AND DRILLED PIERS

REINFORCING STEEL AND DIMENSIONS ARE TYPICAL FOR ALL COLUMNS AND DRILLED PIERS (BENT #1 SHOWN, BENT #2 SIMILAR)

DRAWN BY : T.J. KIRSCHBAUM DATE : 08/19/14
 CHECKED BY : R.F. WERTMAN DATE : 09/04/14
 DESIGN ENGINEER OF RECORD : R.F. WERTMAN DATE : 09/04/14

PLANS PREPARED BY:
Gannett Fleming
 Excellence Delivered As Promised
 1121 Situs Court
 Suite 170
 Raleigh NC 27606-4279
 (919) 859-4880
 NCLic. No. F-0270



PROJECT NO. R-2915B
 ASHE COUNTY
 STATION: 234+19.20 -L-
 SHEET 2 OF 2

STATE OF NORTH CAROLINA DEPARTMENT OF TRANSPORTATION RALEIGH					
SUBSTRUCTURE BENTS #1 & #2 NBL					
REVISIONS					
NO.	BY:	DATE:	NO.	BY:	DATE:
1			3		
2			4		

SHEET NO. S03-24
TOTAL SHEETS 30