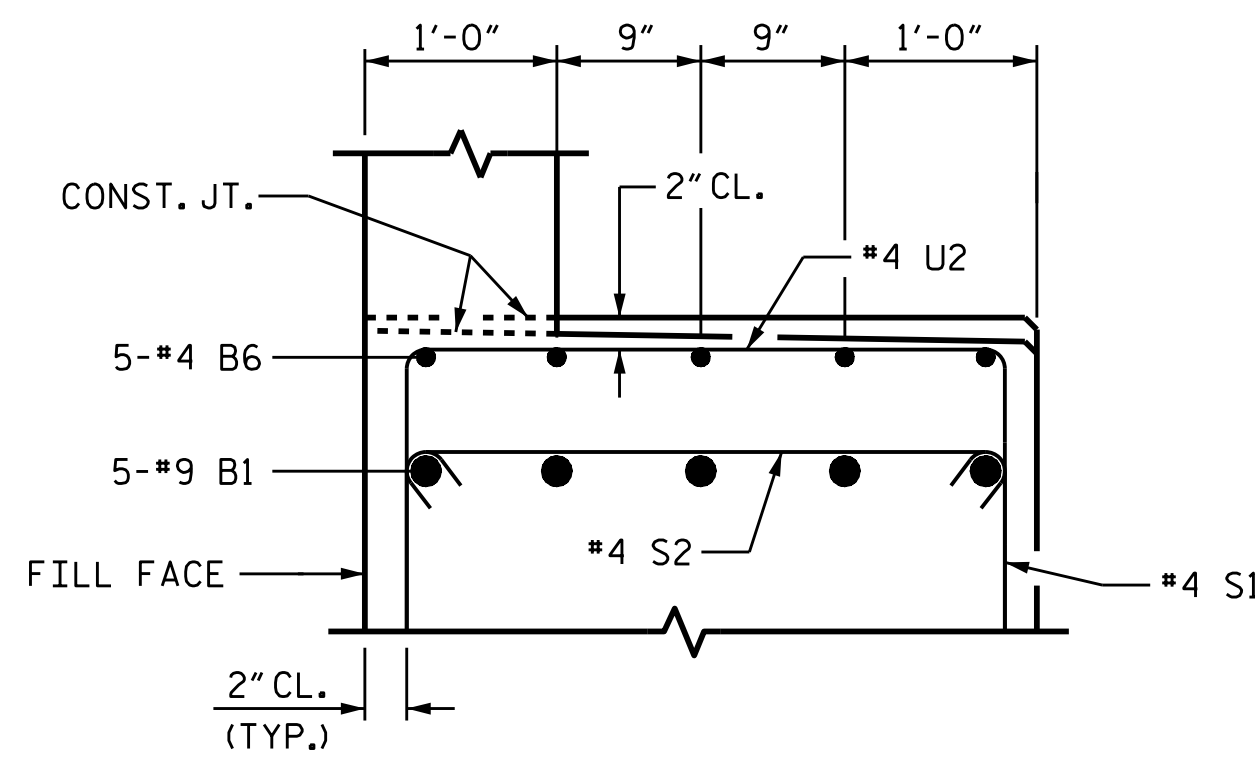


BAGGED STONE AND PIPE SHALL BE PLACED IMMEDIATELY AFTER COMPLETION OF END BENT EXCAVATION. PIPE MAY BE EITHER CONCRETE, CORRUGATED STEEL, CORRUGATED ALUMINUM ALLOY, OR CORRUGATED PLASTIC. PERFORATED PIPE WILL NOT BE ALLOWED.

BAGGED STONE SHALL REMAIN IN PLACE UNTIL THE ENGINEER DIRECTS THAT IT BE REMOVED. THE CONTRACTOR SHALL REMOVE AND DISPOSE OF SILT ACCUMULATIONS AT BAGGED STONE WHEN SO DIRECTED BY THE ENGINEER. BAGS SHALL BE REMOVED AND REPLACED WHENEVER THE ENGINEER DETERMINES THAT THEY HAVE DETERIORATED AND LOST THEIR EFFECTIVENESS.

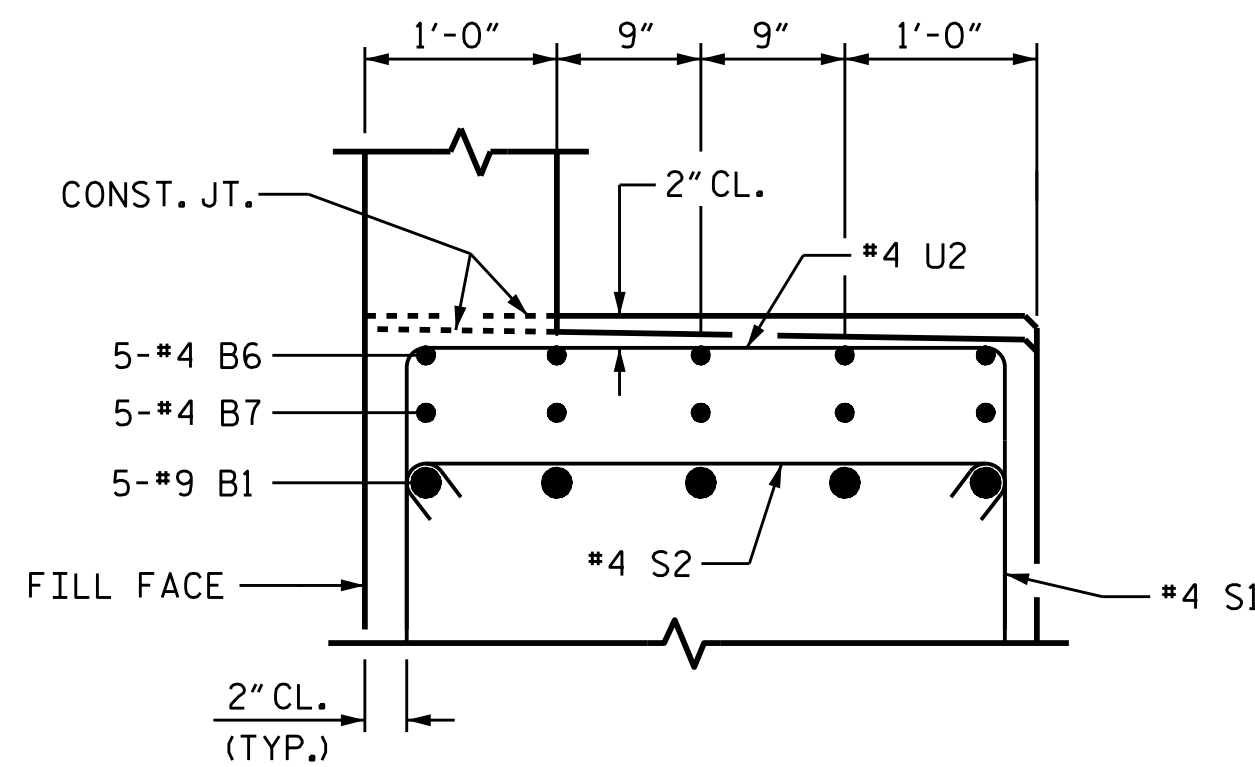
NO SEPARATE PAYMENT WILL BE MADE FOR THIS WORK AND THE ENTIRE COST OF THIS WORK SHALL BE INCLUDED IN THE UNIT CONTRACT PRICE BID FOR THE SEVERAL PAY ITEMS.

### TEMPORARY DRAINAGE AT END BENT



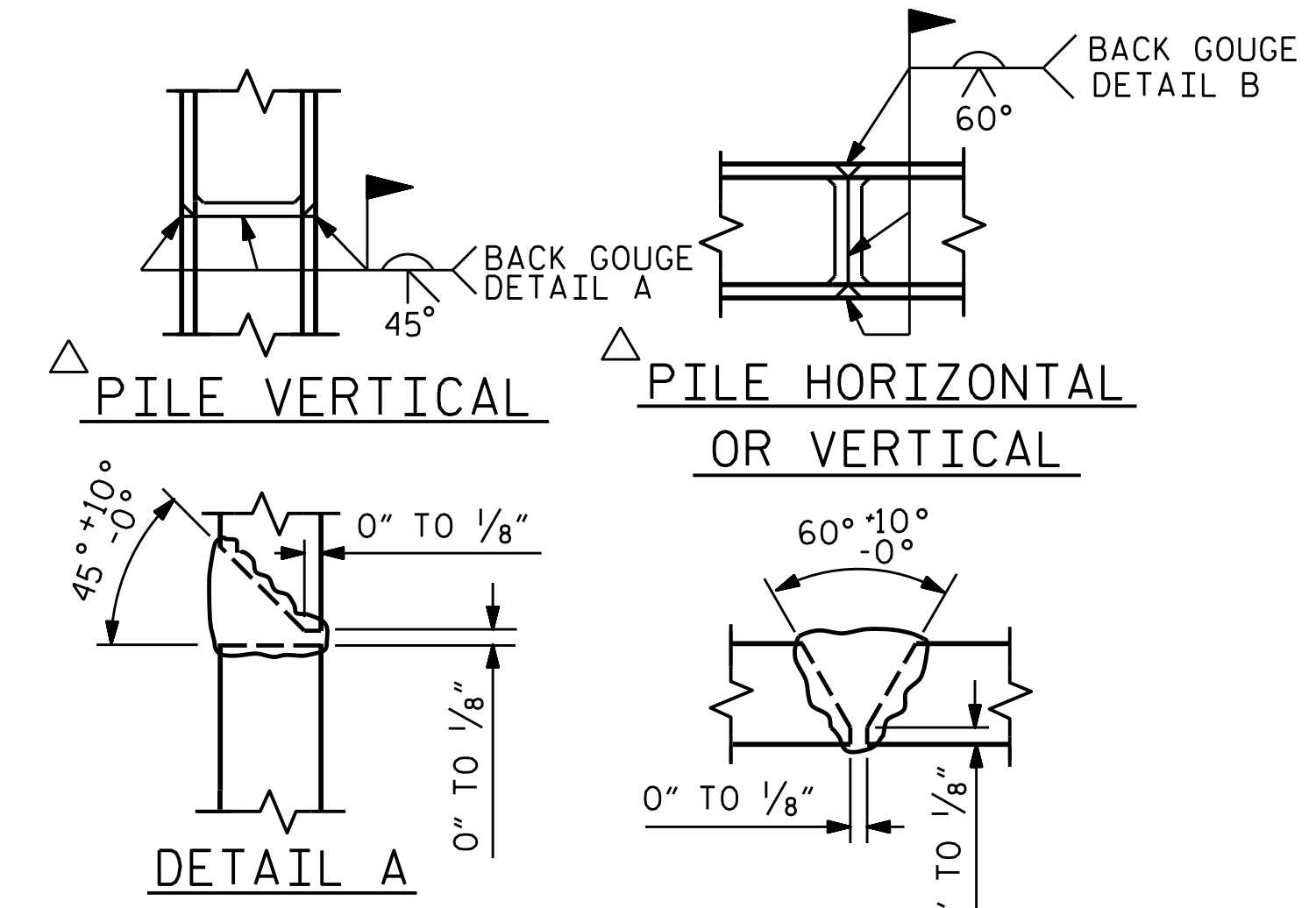
### PARTIAL SECTION B-B

(TYP. @ BRG. A2 & A3)



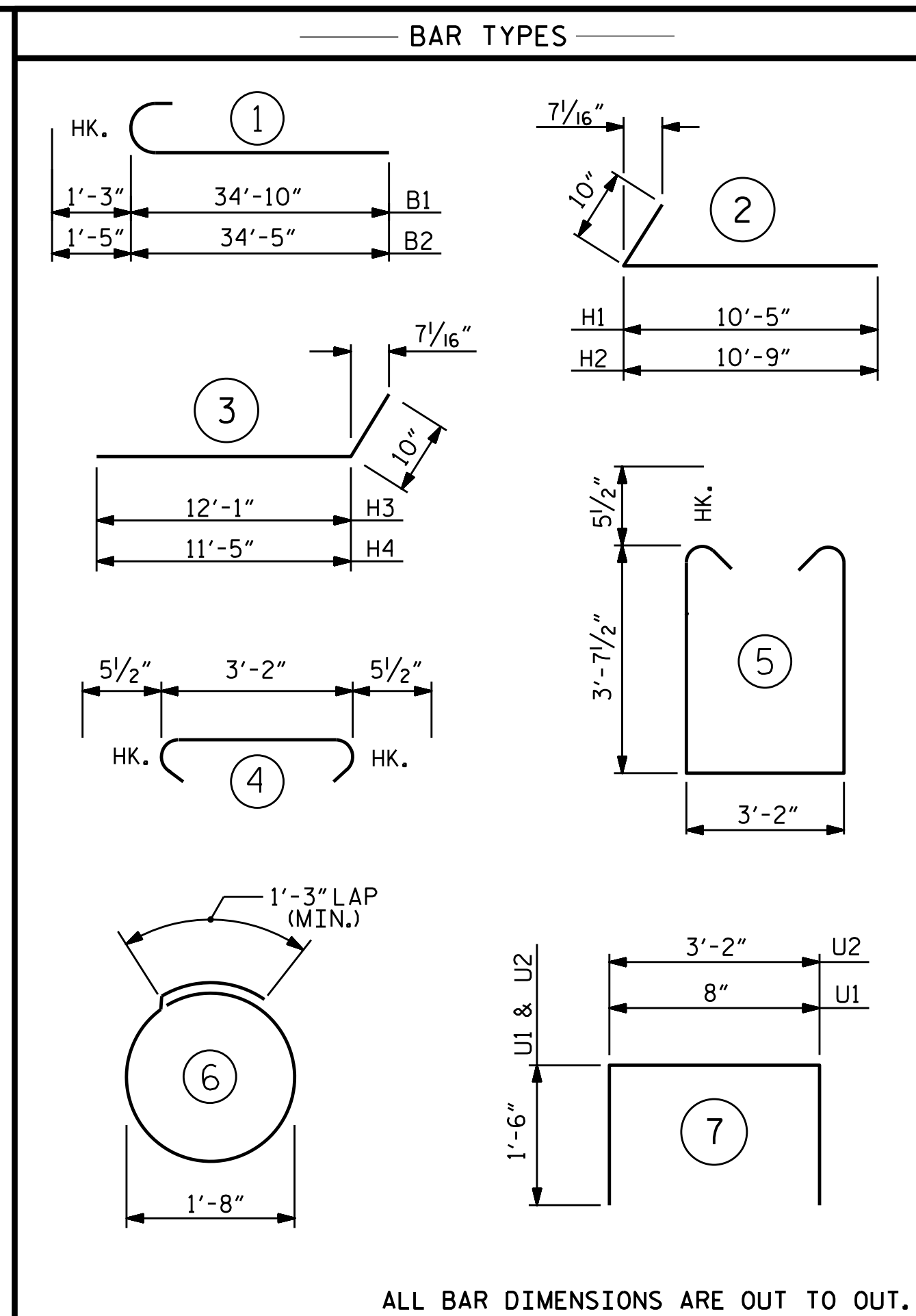
### PARTIAL SECTION C-C

(TYP. @ BRG. A1)



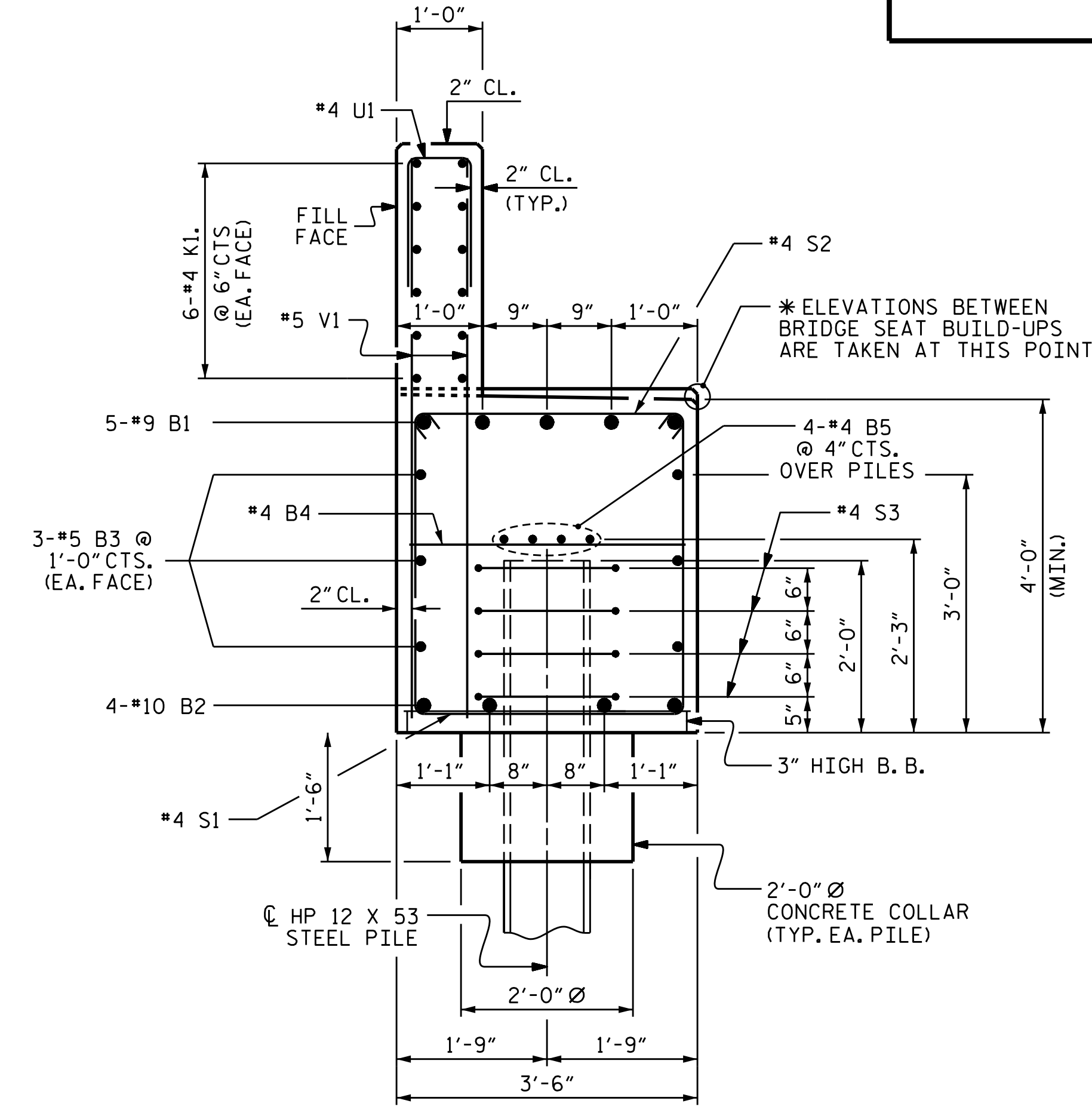
### PILE SPLICE DETAILS

POSITION OF PILE DURING WELDING.



ALL BAR DIMENSIONS ARE OUT TO OUT.

BILL OF MATERIAL					
END BENT #1					
BAR	No.	SIZE	TYPE	LENGTH	WEIGHT
B1	10	#9	1	36'-1"	1227
B2	8	#10	1	35'-10"	1234
B3	12	#5	STR	31'-11"	399
B4	15	#4	STR	3'-2"	32
B5	12	#4	STR	21'-11"	176
B6	15	#4	STR	2'-0"	20
B7	10	#4	STR	12'-7"	84
H1	17	#5	2	11'-3"	199
H2	17	#5	2	11'-7"	205
H3	17	#5	3	12'-11"	229
H4	17	#5	3	12'-3"	217
K1	36	#4	STR	21'-11"	527
K2	3	#4	STR	3'-6"	7
K3	9	#4	STR	3'-7"	22
S1	68	#4	5	11'-4"	515
S2	68	#4	4	4'-1"	185
S3	28	#4	6	6'-6"	122
U1	55	#4	7	3'-8"	135
U2	21	#4	7	6'-2"	87
V1	108	#5	STR	6'-7"	742
V2	30	#4	STR	8'-9"	175
V3	32	#4	STR	8'-3"	176
REINFORCING STEEL					6,715 LBS.
CLASS A CONCRETE					
POUR #1 (CAP, LOWER WINGS & COLLARS) 36.9 C.Y.					
POUR #2 (UPPER WINGS & BACKWALL) 11.1 C.Y.					
TOTAL 48.0 C.Y.					
HP 12 X 53 STEEL PILES					No. = 7
					175 LIN. FT.



### SECTION A-A

PROJECT NO. R-2915B  
ASHE COUNTY  
 STATION: 234+19.20 -L-

SHEET 3 OF 3

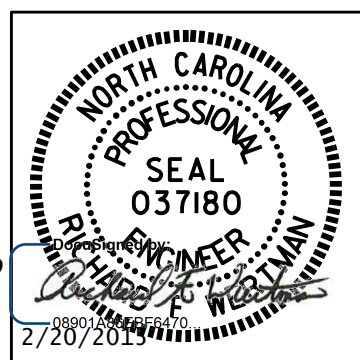
STATE OF NORTH CAROLINA  
 DEPARTMENT OF TRANSPORTATION  
 RALEIGH

SUBSTRUCTURE  
 END BENT #1  
 NBL

DRAWN BY : T.J. KIRSCHBAUM DATE : 08/28/14  
 CHECKED BY : E.E. DEETSCHRECK DATE : 09/03/14  
 DESIGN ENGINEER OF RECORD : R.F. WERTMAN DATE : 09/04/14

PLANS PREPARED BY:  
**Gannett Fleming**  
 Excellence Delivered As Promised

1121 Situs Court  
 Suite 170  
 Raleigh, NC 27606-4279  
 (919) 859-4880  
 NCLic. No. F-0270



REVISIONS					
NO.	BY:	DATE:	NO.	BY:	DATE:
1			3		
2			4		

SHEET NO. S03-22  
 TOTAL SHEETS 30