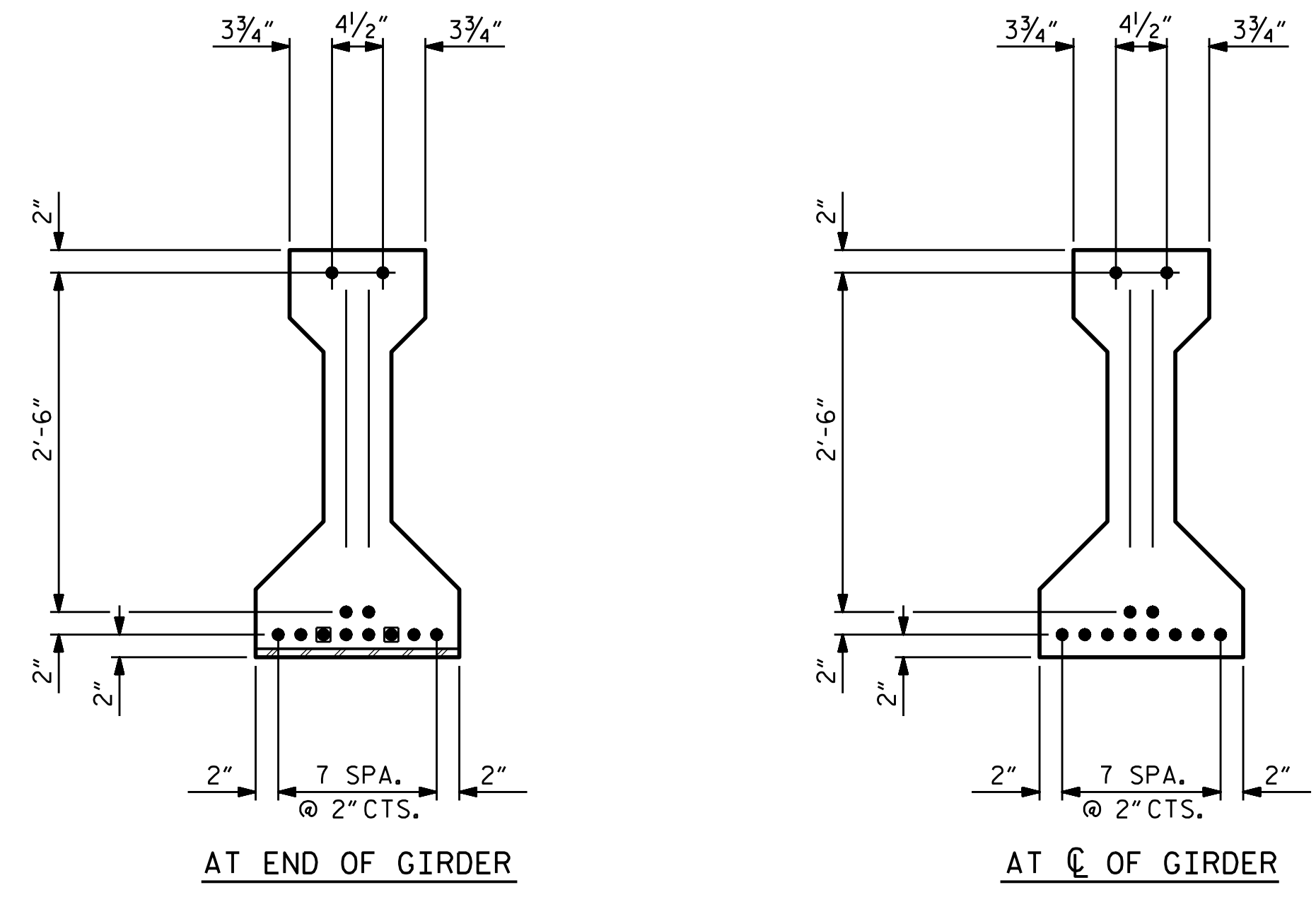


SECTION A-A

SECTION B-B
(S1 BARS NOT SHOWN)

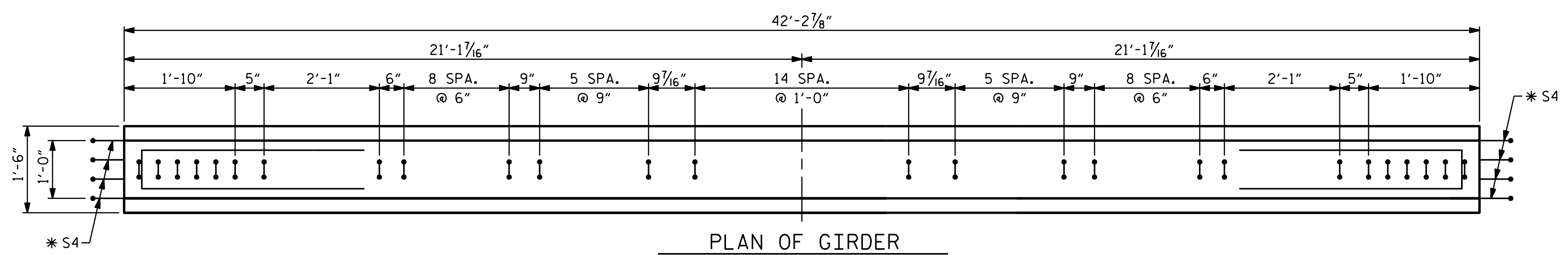


AT END OF GIRDER

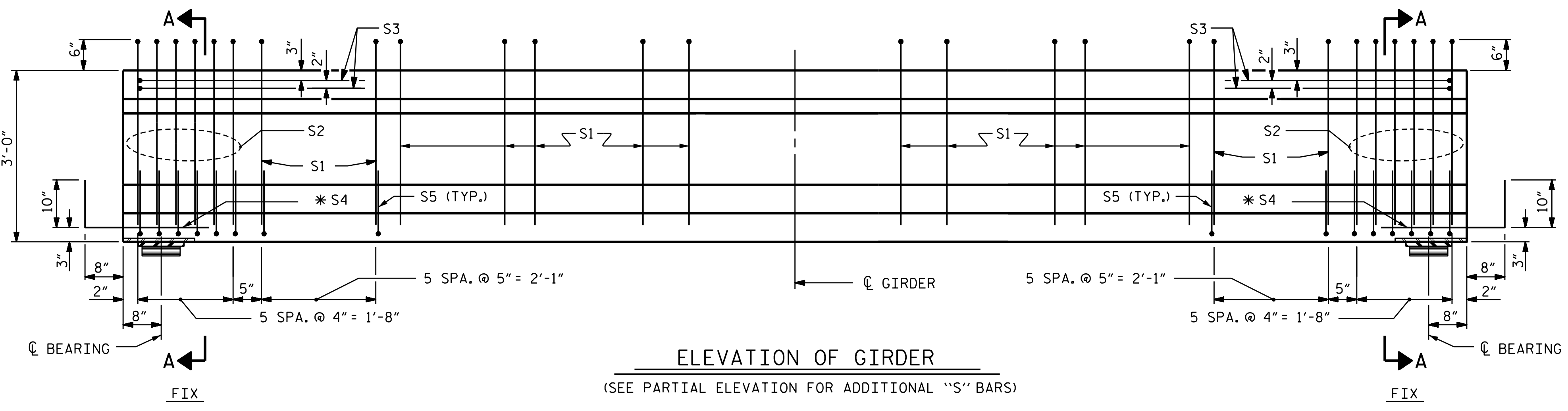
AT CL OF GIRDER

0.6" Ø LOW RELAXATION STRAND LAYOUT

- DEBONDING LEGEND**
- FULLY BONDED STRANDS
 - STRANDS DEBONDED FOR 4'-0" FROM ENDS OF GIRDER

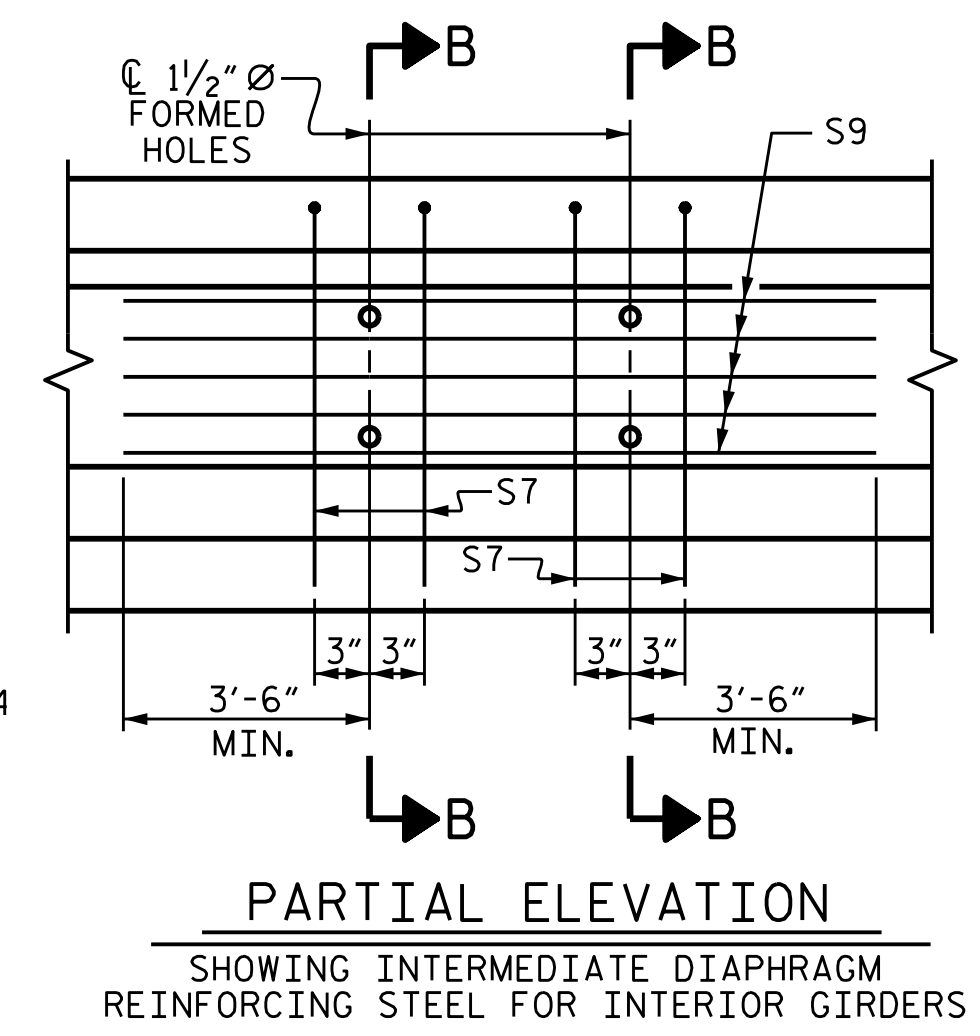


PLAN OF GIRDER



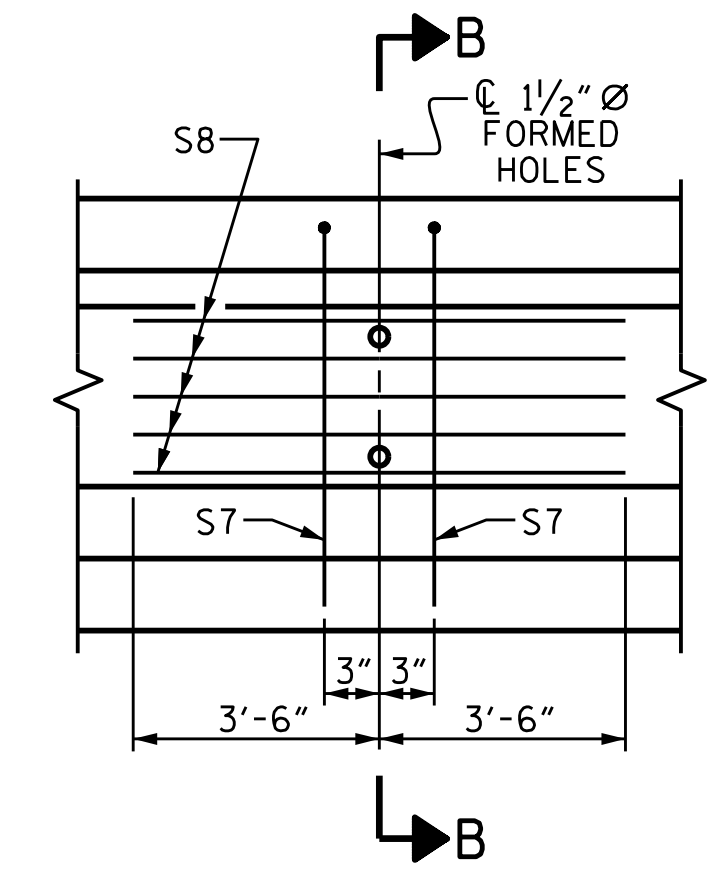
ELEVATION OF GIRDER

(SEE PARTIAL ELEVATION FOR ADDITIONAL "S" BARS)



PARTIAL ELEVATION

SHOWING INTERMEDIATE DIAPHRAGM REINFORCING STEEL FOR INTERIOR GIRDERS



PARTIAL ELEVATION

SHOWING INTERMEDIATE DIAPHRAGM REINFORCING STEEL FOR EXTERIOR GIRDERS

0.6" Ø L. R. GRADE 270 STRANDS

AREA (SQUARE INCHES)	ULTIMATE STRENGTH (LBS. PER STRAND)	APPLIED PRESTRESS (LBS. PER STRAND)
0.217	58,600	43,950

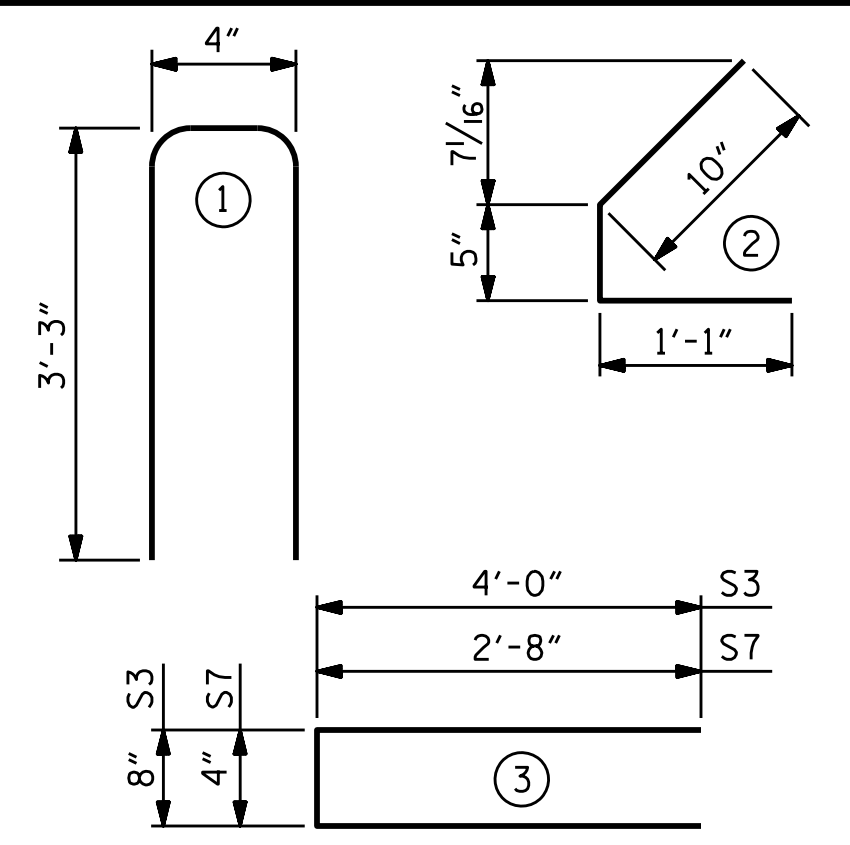
REINFORCING STEEL FOR ONE GIRDER

BAR	NUMBER	SIZE	TYPE	LENGTH	WEIGHT
EXTERIOR GDR.	S1	#4	1	6'-10"	260
INTERIOR GDR.	S1	#4	1	6'-10"	260
	S2	#5	1	6'-10"	86
	S3	#4	3	8'-8"	23
	* S4	#5	STR	3'-8"	31
	S5	#4	2	2'-4"	69
EXTERIOR GDR.	S7	#5	3	5'-8"	12
INTERIOR GDR.	S7	#5	3	5'-8"	24
EXTERIOR GDR.	S8	#4	STR	7'-0"	23
INTERIOR GDR.	S9	#4	STR	17'-6"	58

* NOTE: S4 BARS SHALL BE BENT BEFORE SHIPMENT. HEAT BENDING SHALL NOT BE ALLOWED.

BAR TYPES

ALL BAR DIMENSIONS ARE OUT-TO-OUT



QUANTITIES FOR ONE GIRDER

	REINFORCING STEEL LB.	8000 PSI CONCRETE C.Y.	0.6" Ø L. R. STRANDS No.
EXTERIOR GIRDER	504	4.0	12
INTERIOR GIRDER	550	4.0	12

GIRDERS REQUIRED

NUMBER	LENGTH	TOTAL LENGTH
4	42'-2 7/8"	168'-11 1/2"

PROJECT NO. R-2915B
ASHE COUNTY
 STATION: 234+19.20 -L-

SHEET 2 OF 3

STATE OF NORTH CAROLINA
 DEPARTMENT OF TRANSPORTATION
 RALEIGH
 STANDARD
 AASHTO TYPE II
 PRESTRESSED CONCRETE GIRDER
 CONTINUOUS FOR LIVE LOAD
 SPAN B
 NBL

REVISIONS						SHEET NO. S03-11
NO.	BY:	DATE:	NO.	BY:	DATE:	
1			3			TOTAL SHEETS 30
2			4			

ASSEMBLED BY : T.J. KIRSCHBAUM	DATE : 4/16/14
CHECKED BY : R.F. WERTMAN	DATE : 4/30/14
DRAWN BY : ELR 8/91	REV. 10/17/00R RWW/LES
CHECKED BY : GRP 8/91	REV. 5/1/06R TLA/GM
	REV. 10/1/11 MAA/GM

PLANS PREPARED BY:
Gannett Fleming
 Excellence Delivered As Promised
 1121 Sitis Court
 Suite 170
 Raleigh NC 27606-4279
 (919) 859-4880
 NC Lic. No. F-0270

THESE PLANS HAVE BEEN PROPERLY EXAMINED BY THE UNDERSIGNED. I HAVE DETERMINED THAT THEY COMPLY WITH EXISTING NORTH CAROLINA CODES, AND HAVE BEEN PROPERLY ADAPTED FOR USE IN THIS AREA.

