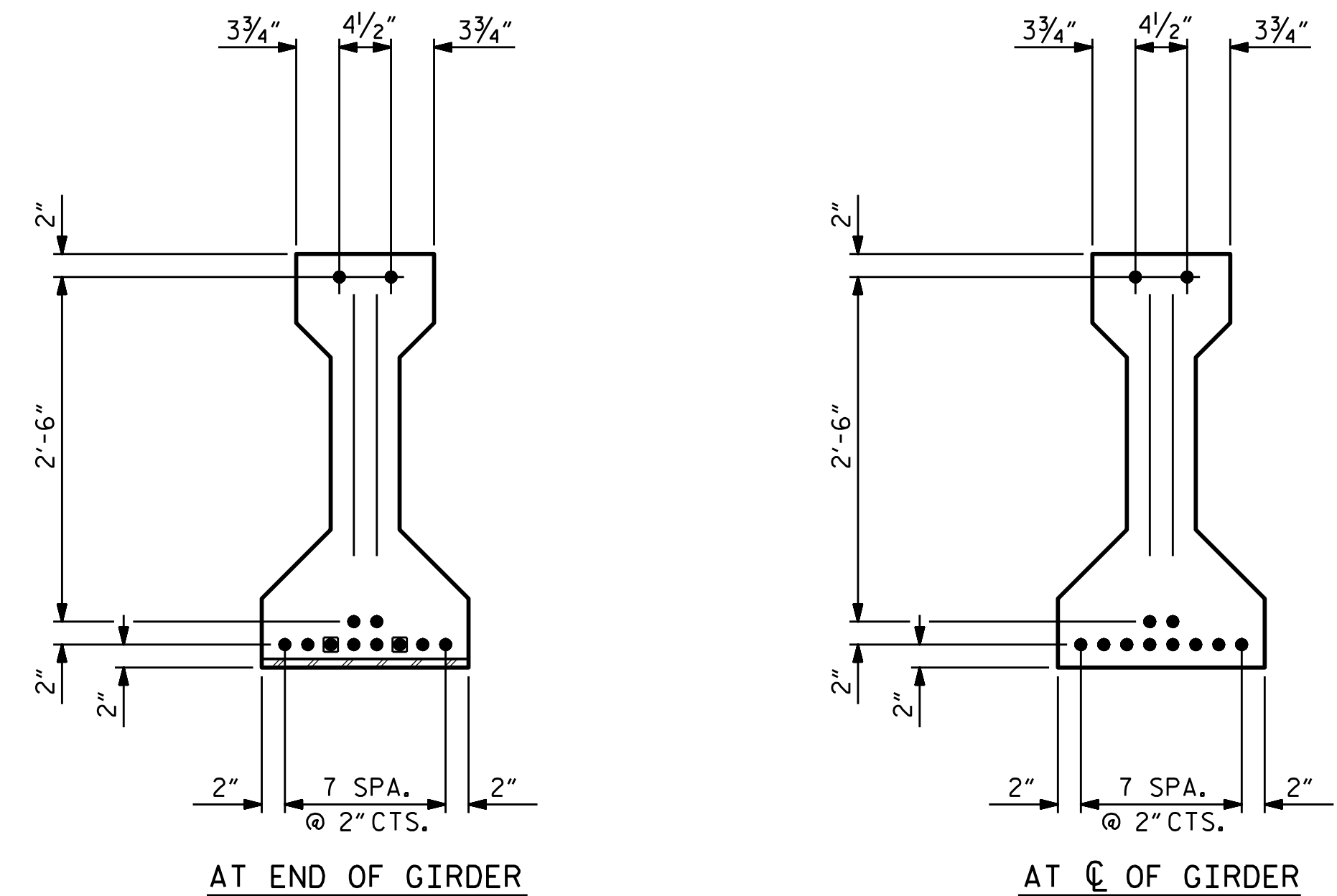
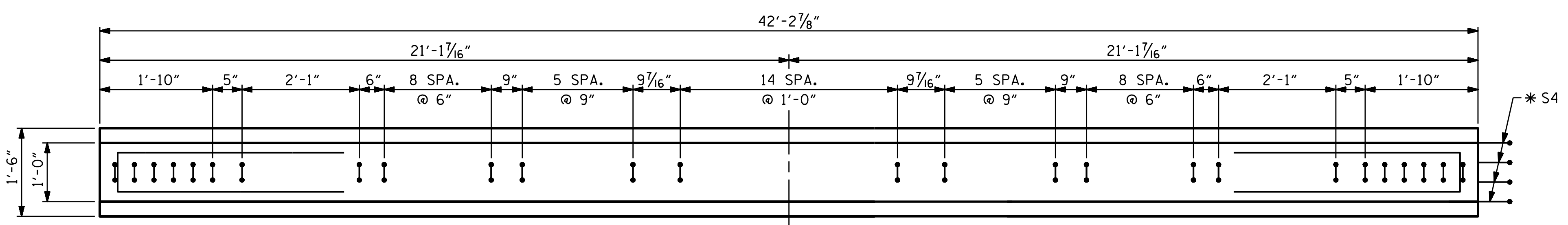


SECTION A-A SECTION B-B SECTION C-C  
(S1 BARS NOT SHOWN)

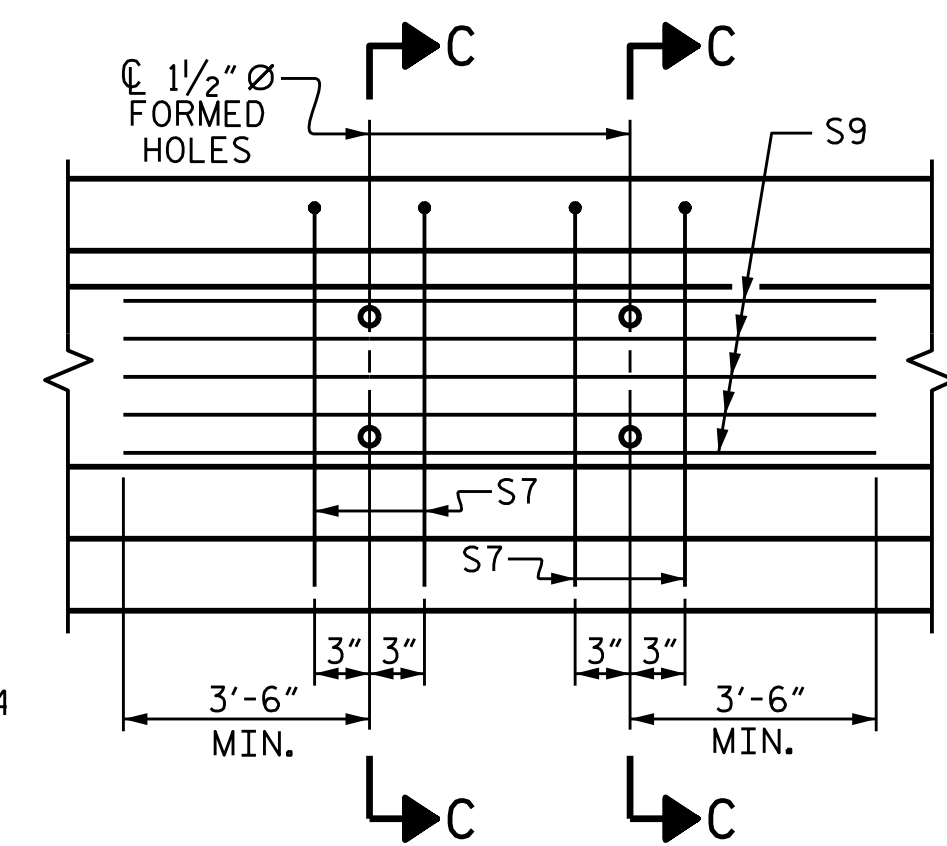


0.6" Ø LOW RELAXATION STRAND LAYOUT

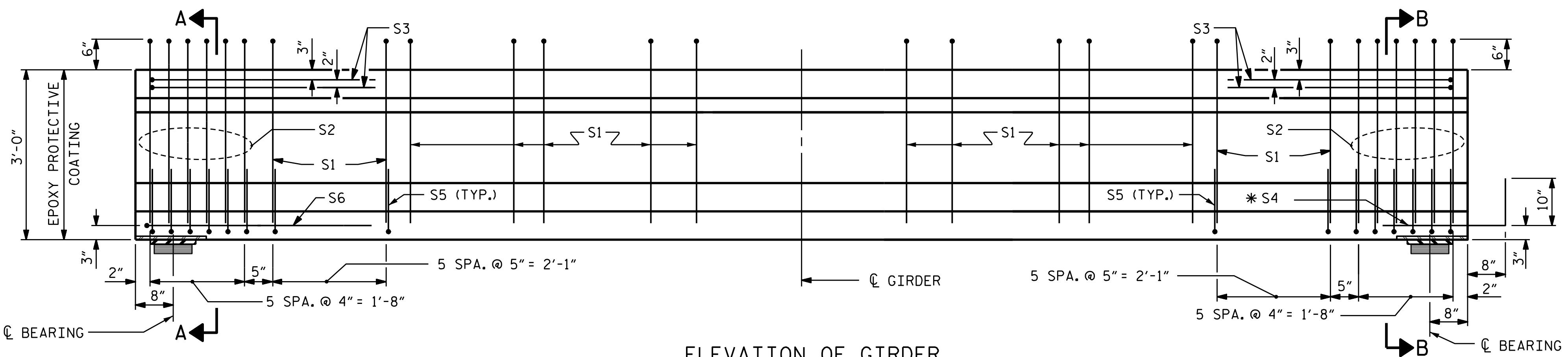
**DEBONDING LEGEND**  
 ● FULLY BONDED STRANDS  
 ■ STRANDS DEBONDED FOR 4'-0" FROM ENDS OF GIRDER



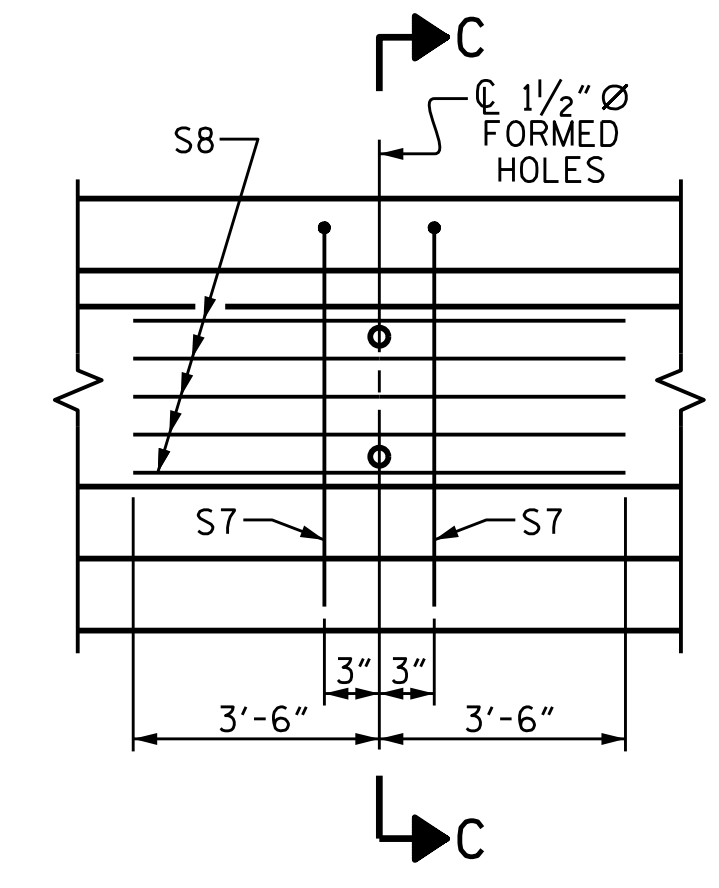
PLAN OF GIRDER



PARTIAL ELEVATION  
SHOWING INTERMEDIATE DIAPHRAGM REINFORCING STEEL FOR INTERIOR GIRDERS



ELEVATION OF GIRDER  
(SEE PARTIAL ELEVATION FOR ADDITIONAL "S" BARS)



PARTIAL ELEVATION  
SHOWING INTERMEDIATE DIAPHRAGM REINFORCING STEEL FOR EXTERIOR GIRDERS

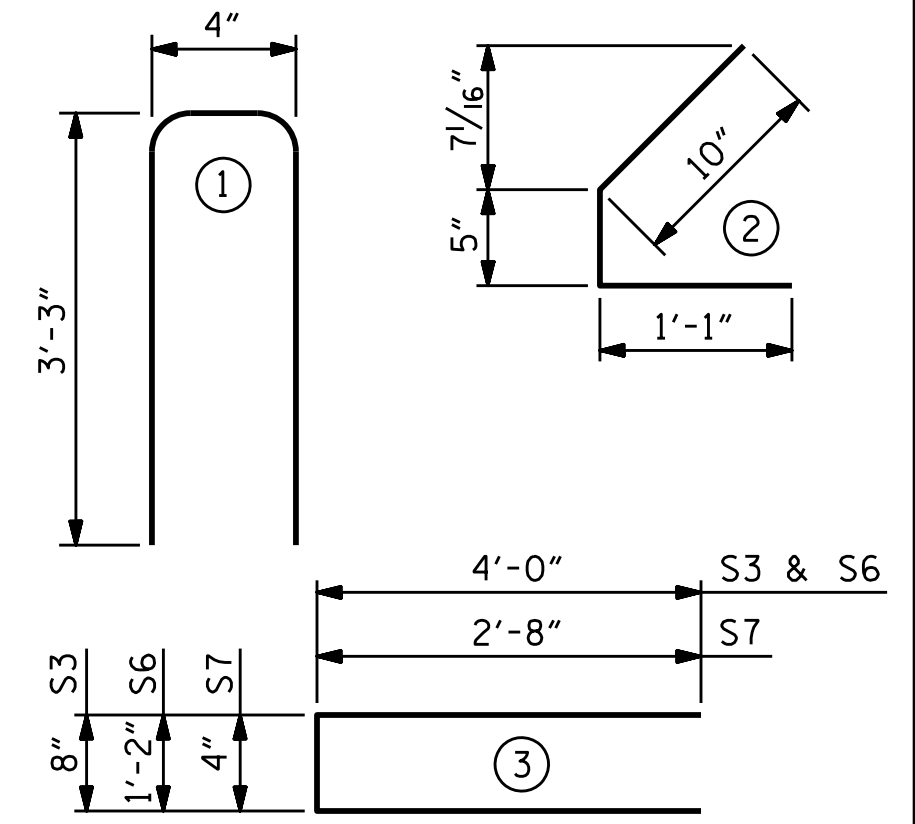
0.6" Ø L. R. GRADE 270 STRANDS		
AREA (SQUARE INCHES)	ULTIMATE STRENGTH (LBS. PER STRAND)	APPLIED PRESTRESS (LBS. PER STRAND)
0.217	58,600	43,950

REINFORCING STEEL FOR ONE GIRDER						
BAR	NUMBER	SIZE	TYPE	LENGTH	WEIGHT	
EXTERIOR GDR.	S1	57	#4	1	6'-10"	260
INTERIOR GDR.	S1	57	#4	1	6'-10"	260
	S2	12	#5	1	6'-10"	86
	S3	4	#4	3	8'-8"	23
	* S4	4	#5	STR	3'-8"	15
	S5	44	#4	2	2'-4"	69
	S6	1	#4	3	9'-2"	6
EXTERIOR GDR.	S7	2	#5	3	5'-8"	12
INTERIOR GDR.	S7	4	#5	3	5'-8"	24
EXTERIOR GDR.	S8	5	#4	STR	7'-0"	23
INTERIOR GDR.	S9	5	#4	STR	17'-6"	58

\* NOTE: S4 BARS SHALL BE BENT BEFORE SHIPMENT. HEAT BENDING SHALL NOT BE ALLOWED.

**BAR TYPES**

ALL BAR DIMENSIONS ARE OUT-TO-OUT



**QUANTITIES FOR ONE GIRDER**

	REINFORCING STEEL LB.	8000 PSI CONCRETE C.Y.	0.6" Ø L.R. STRANDS No.
EXTERIOR GIRDER	494	4.0	12
INTERIOR GIRDER	541	4.0	12

**GIRDERS REQUIRED**

NUMBER	LENGTH	TOTAL LENGTH
8	42'-2 7/8"	337'-11"

PROJECT NO. R-2915B  
ASHE COUNTY  
 STATION: 234+19.20 -L-

SHEET 1 OF 3

STATE OF NORTH CAROLINA  
 DEPARTMENT OF TRANSPORTATION  
 RALEIGH  
 STANDARD  
 AASHTO TYPE II  
 PRESTRESSED CONCRETE GIRDER  
 CONTINUOUS FOR LIVE LOAD  
 SPANS A & C  
 NBL

REVISIONS						SHEET NO. S03-10
NO.	BY:	DATE:	NO.	BY:	DATE:	
1			3			TOTAL SHEETS 30
2			4			

ASSEMBLED BY : T.J. KIRSCHBAUM DATE : 4/16/14  
 CHECKED BY : R.F. WERTMAN DATE : 4/30/14  
 DRAWN BY : ELR 8/91 REV. 10/17/00R RWW/LES  
 CHECKED BY : GRP 8/91 REV. 5/1/06R TLA/GM  
 REV. 10/1/11 MAA/GM

PLANS PREPARED BY:  
**Gannett Fleming**  
 Excellence Delivered As Promised  
 1121 Situs Court  
 Suite 170  
 Raleigh NC 27606-4279  
 (919) 859-4880  
 NC Lic. No. F-0270

THESE PLANS HAVE BEEN PROPERLY EXAMINED BY THE UNDERSIGNED. I HAVE DETERMINED THAT THEY COMPLY WITH EXISTING NORTH CAROLINA CODES, AND HAVE BEEN PROPERLY ADAPTED FOR USE IN THIS AREA.

