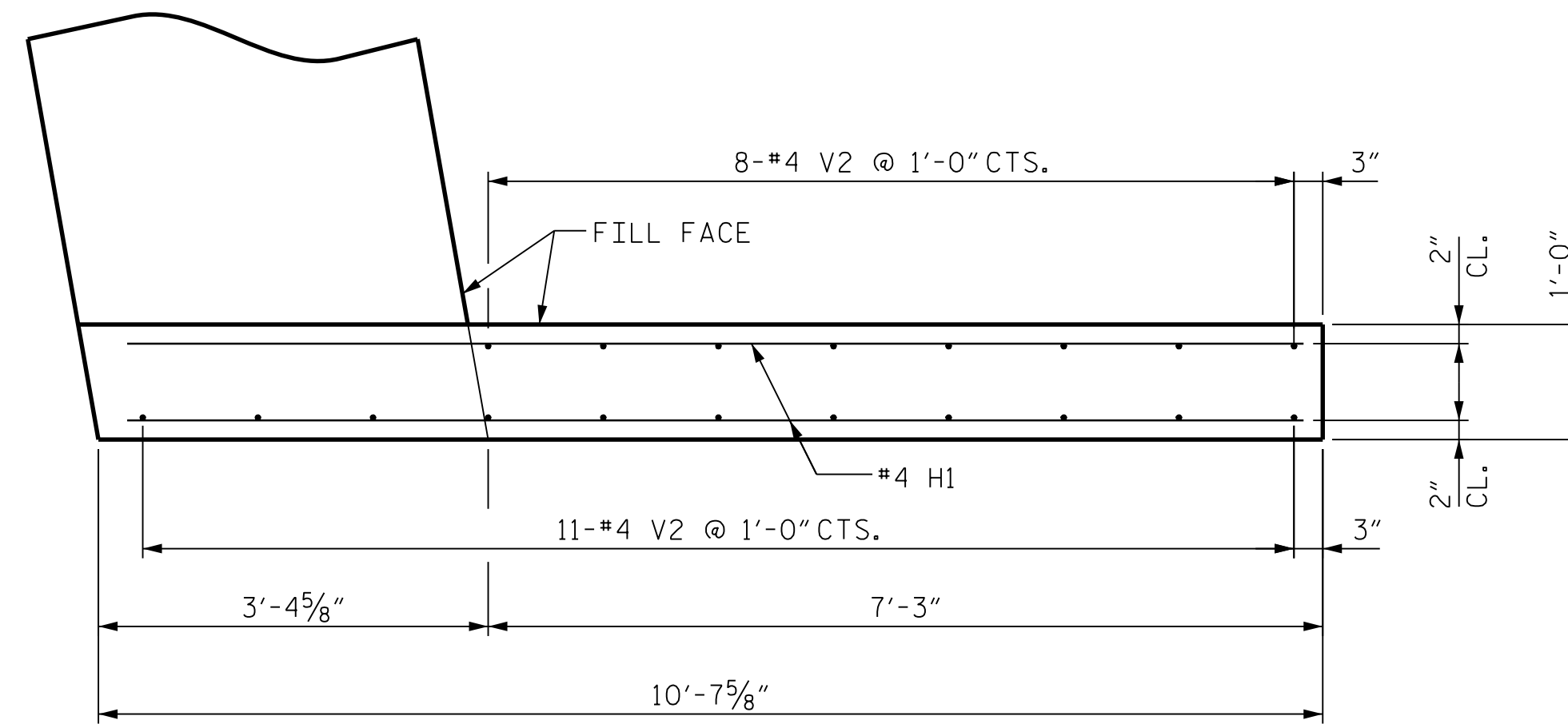
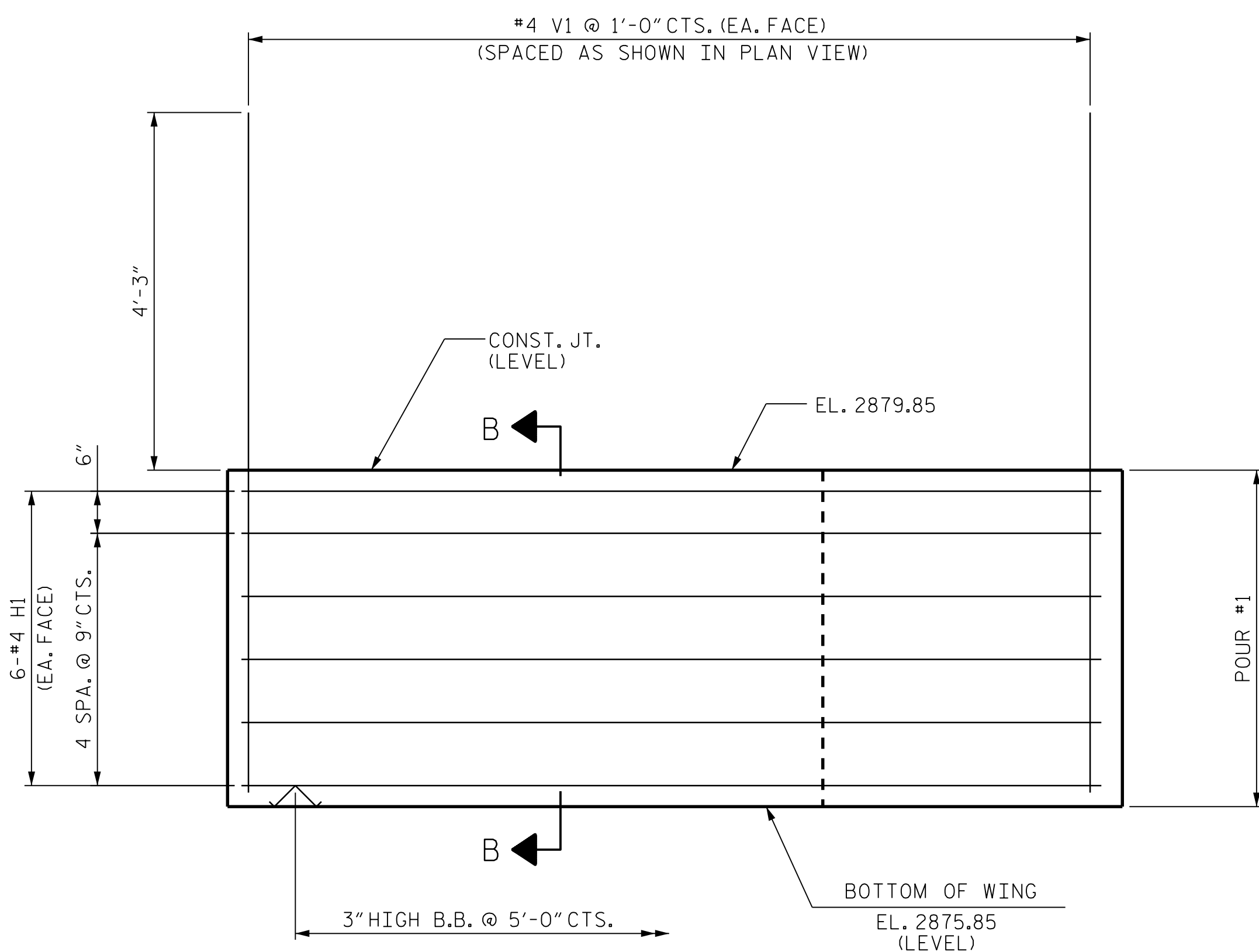


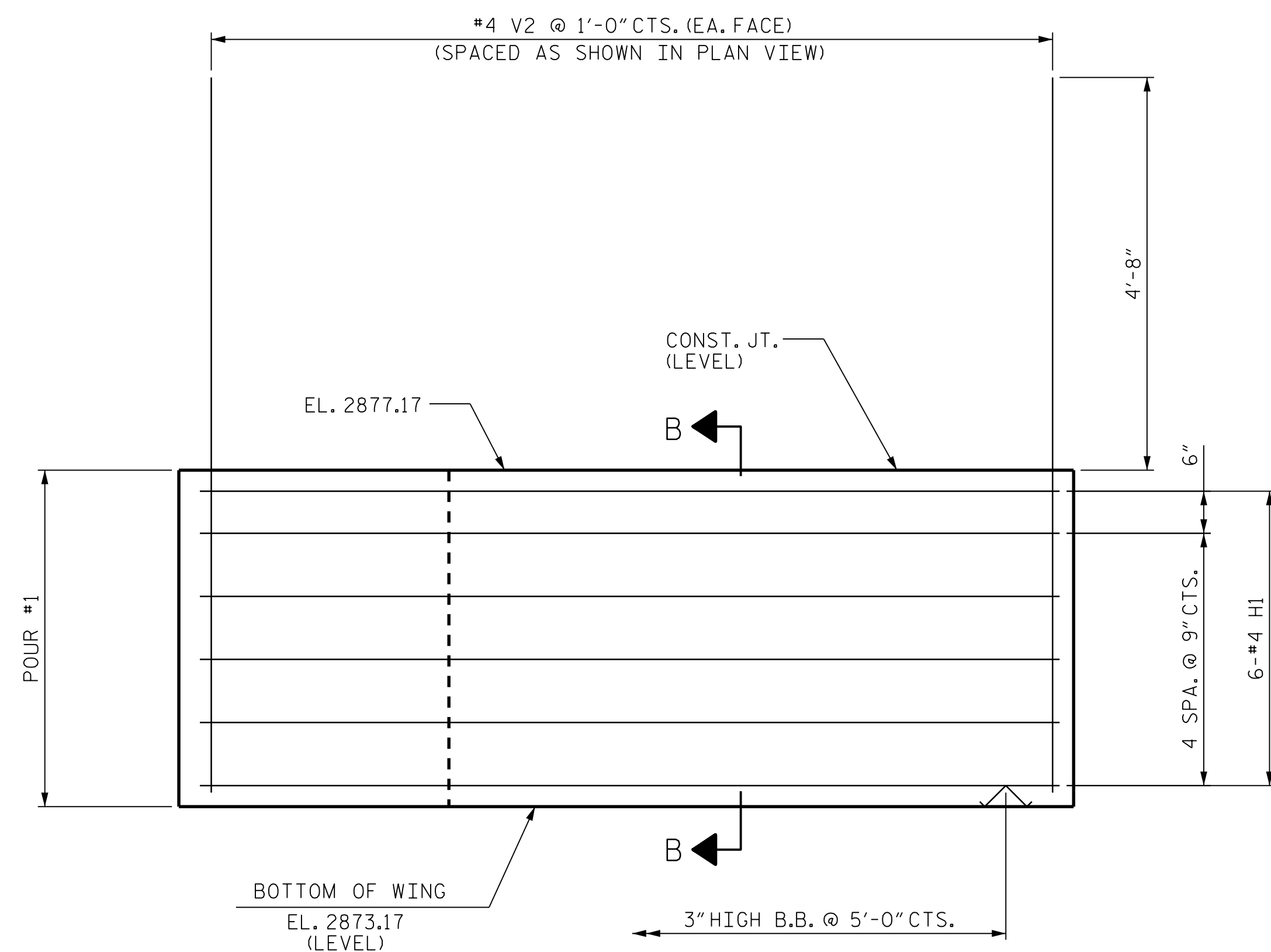
PLAN OF WING (W3)



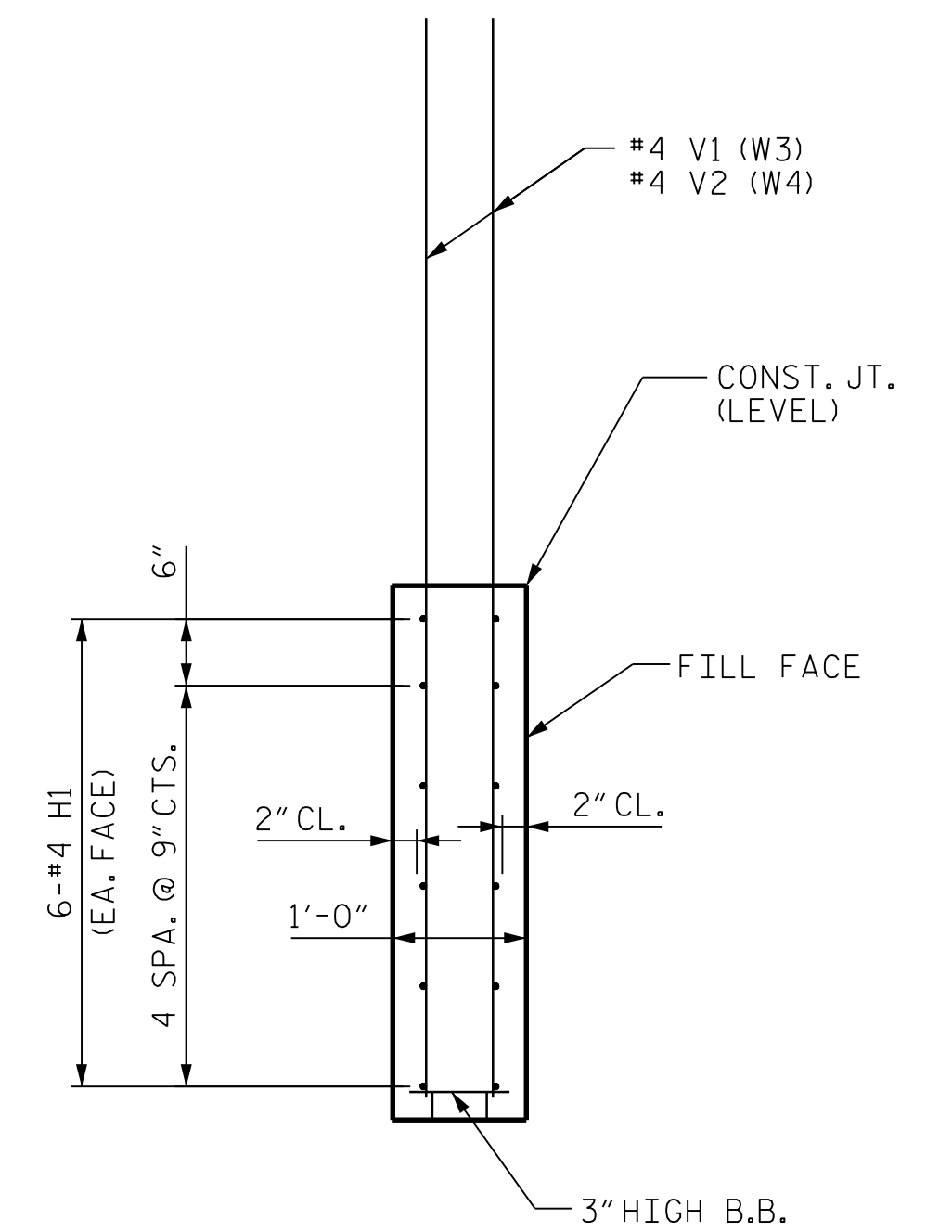
PLAN OF WING (W4)



ELEVATION OF WING (W3)



ELEVATION OF WING (W4)



SECTION B-B

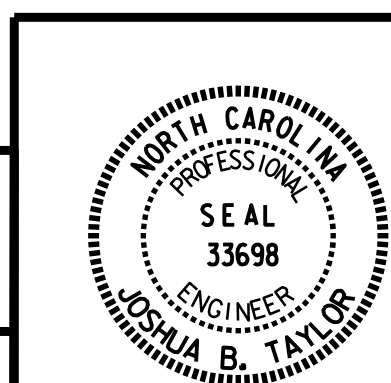
PROJECT NO. R-2915B
 ASHE COUNTY
 STATION: 198+64.50 -L-

SHEET 2 OF 3

STATE OF NORTH CAROLINA
 DEPARTMENT OF TRANSPORTATION
 RALEIGH
 SUBSTRUCTURE
 END BENT 2
 (NBL)

CDM Smith
 CDM SMITH
 5400 Glenwood Avenue, Suite 400
 Raleigh, NC 27612-3228
 NC COA No. F-1255

DRAWN BY : B. WADSWORTH DATE : 06-15 DWG. No.
 CHECKED BY : J. TAYLOR DATE : 06-15
 DESIGN ENGINEER : J. TAYLOR DATE : 06-15



REVISIONS			SHEET No.		
No.	BY:	DATE:	No.	BY:	DATE:
1			3		
2			4		

TOTAL SHEETS: 34

FILE: R:\med\192915B\Structures\PLANS\Bent2\NBL\2915B_SD_B2_02.dgn
 DATE: 8/10/2015 7:04:35 AM