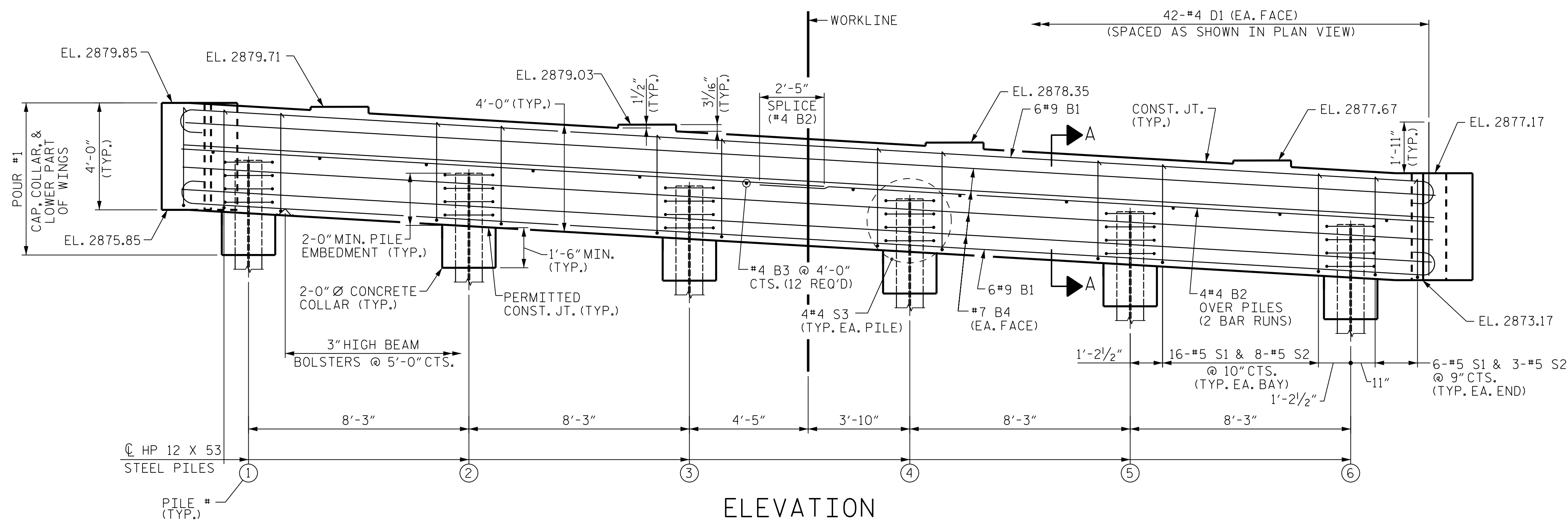


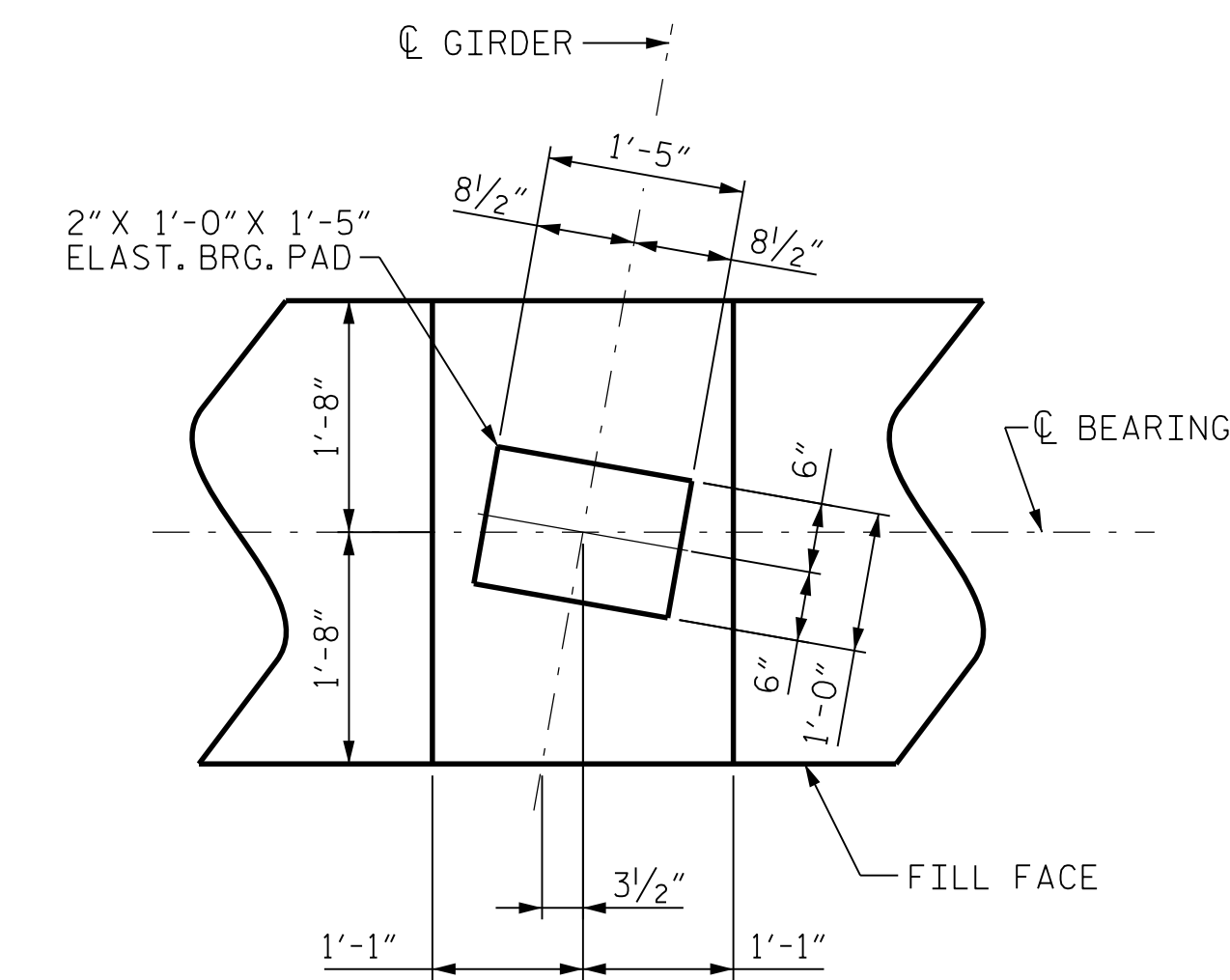
PLAN



ELEVATION

NOTES
 FOR SECTION A-A, SEE SHEET 3 OF 3.
 INSTALL THE 4" Ø DRAIN PIPE THROUGH THE WINGWALL AS REQUIRED FOR REINFORCED BRIDGE APPROACH FILLS, SEE THE ROADWAY PLANS. REINFORCING STEEL IN THE WINGWALL MAY BE SHIFTED AS NECESSARY TO CLEAR THE DRAIN PIPE.
 THE TOP SURFACE OF THE END BENT CAP AND WINGS, EXCLUDING THE BEARING SEATS, SHALL BE RAKED TO A DEPTH OF 1/4".

PILE	TOP OF PILE ELEVATION	ESTIMATED PILE LENGTH (FT)
1	2877.73	12.0
2	2877.24	14.0
3	2876.75	16.0
4	2876.26	18.0
5	2875.77	20.0
6	2875.29	22.0



DETAIL "A"
(TYP. EACH GIRDER)

PROJECT NO. R-2915B
 ASHE COUNTY
 STATION: 198+64.50 -L-

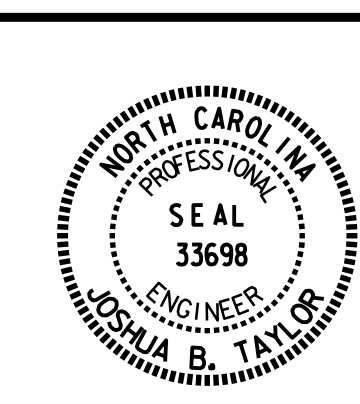
SHEET 1 OF 3

STATE OF NORTH CAROLINA
 DEPARTMENT OF TRANSPORTATION
 RALEIGH
 SUBSTRUCTURE
 END BENT 2
 (NBL)

CDM Smith
 CDM SMITH
 5400 Glenwood Avenue, Suite 400
 Raleigh, NC 27612-3228
 NC COA No. F-1255

DRAWN BY: B. WADSWORTH DATE: 06-15
 CHECKED BY: J. TAYLOR DATE: 06-15
 DESIGN ENGINEER: J. TAYLOR DATE: 06-15

DWG. No.



REVISIONS			SHEET No.		
No.	BY:	DATE:	No.	BY:	DATE:
1			3		
2			4		

TOTAL SHEETS: 34

FILE: R:\med\192915B Structures\PLANS\Bent 2 NBL\192915B_SD_B2_01.dgn
 DATE: 8/10/2015 7:04:32 AM