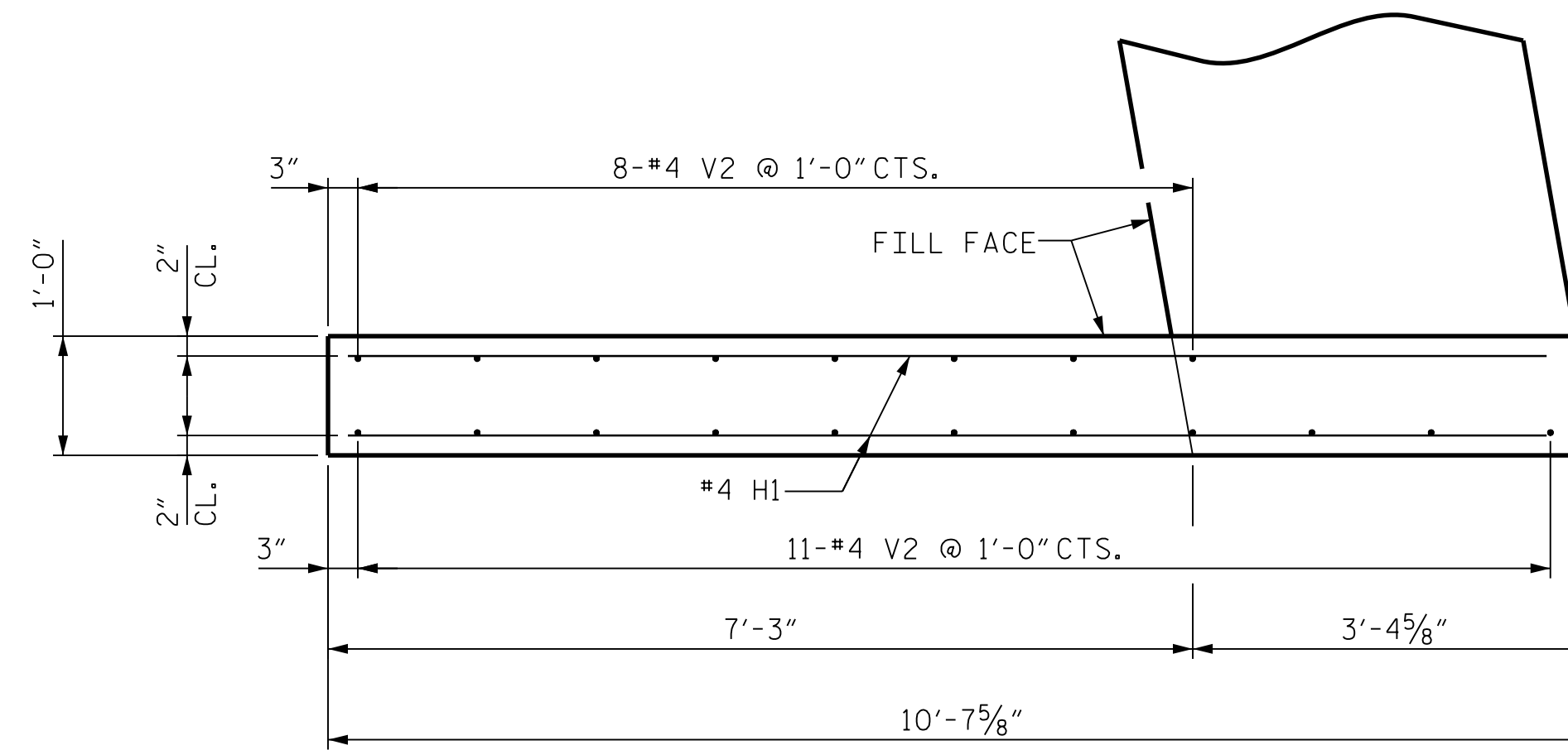
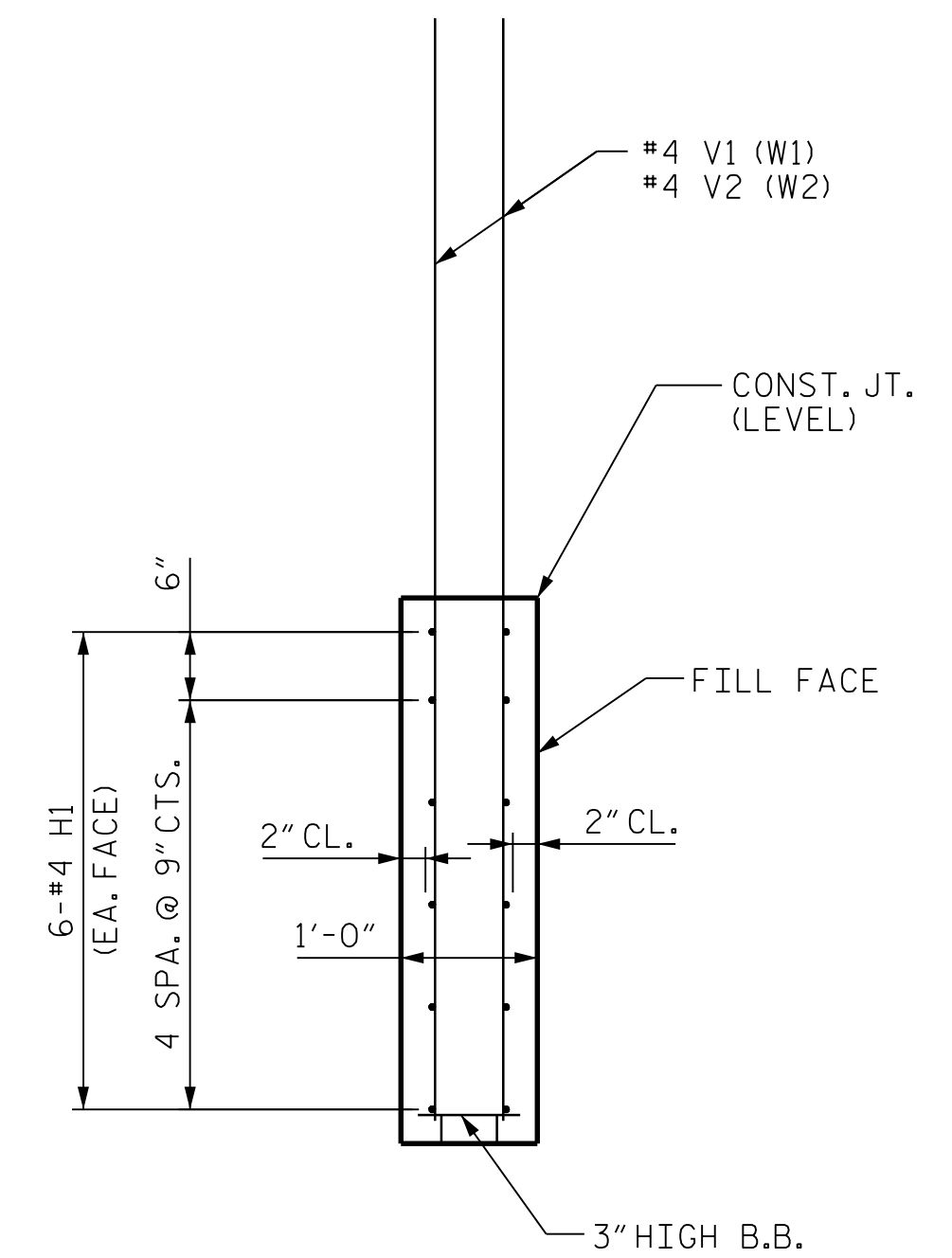


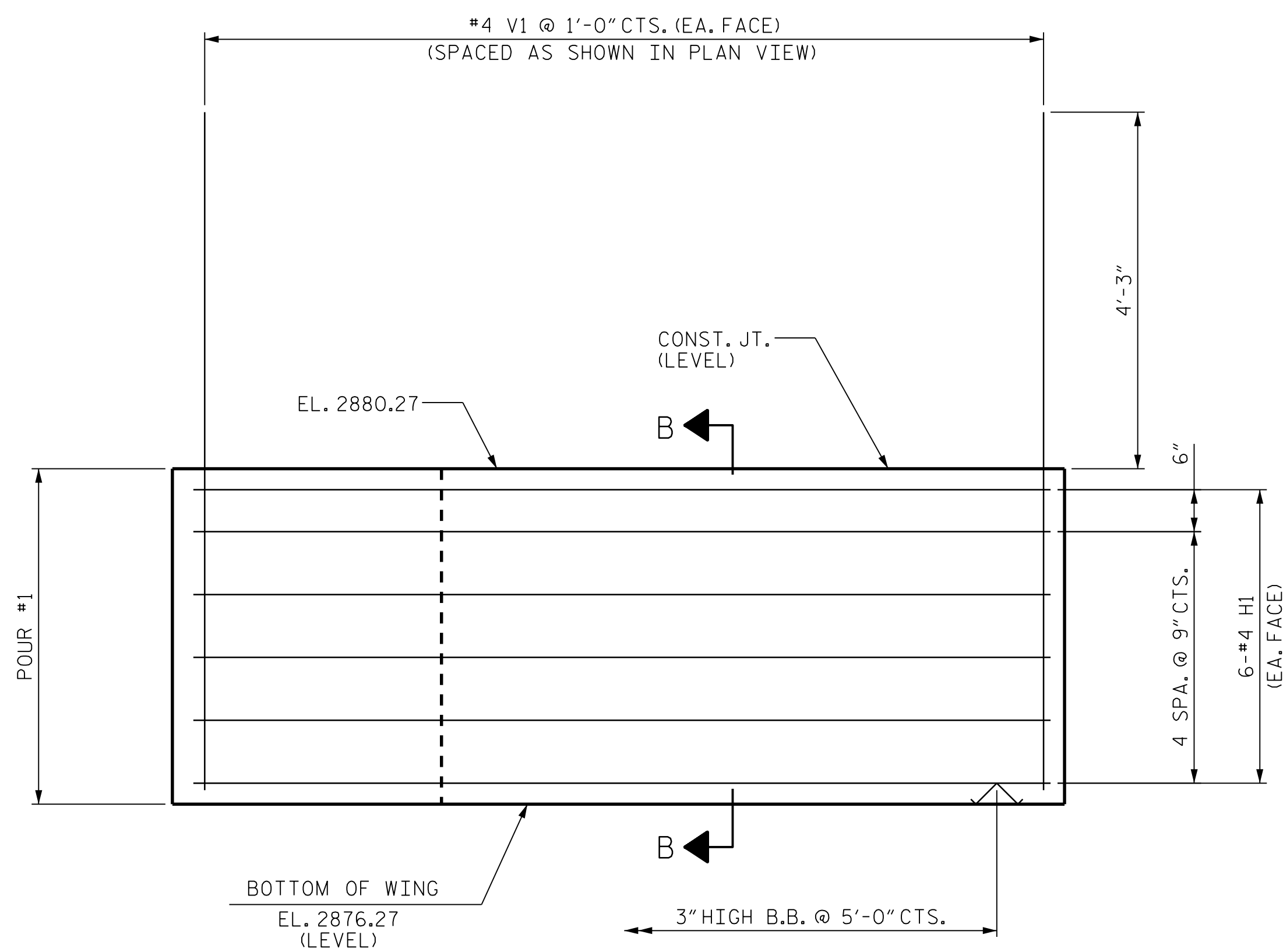
PLAN OF WING (W1)



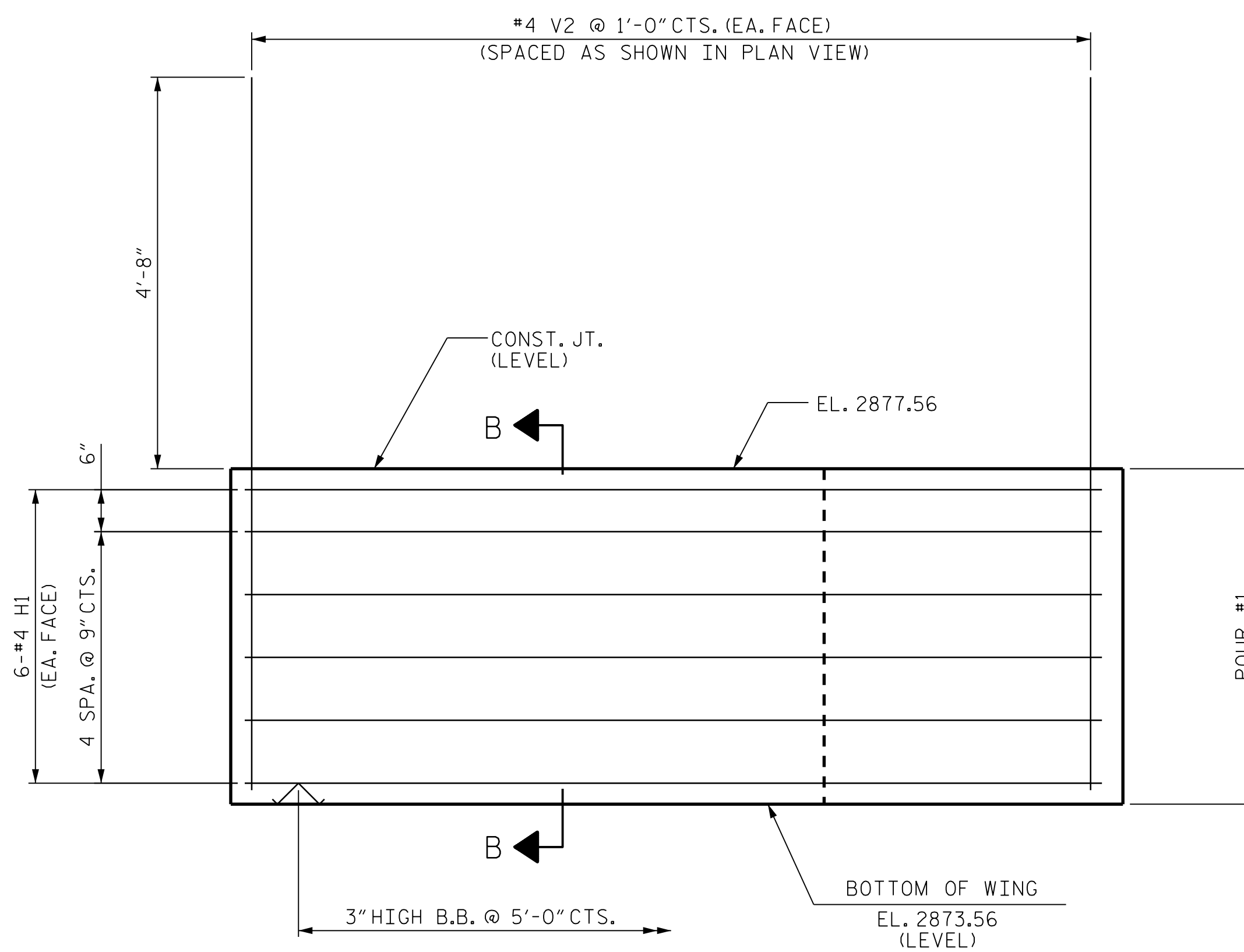
PLAN OF WING (W2)



SECTION B-B



ELEVATION OF WING (W1)



ELEVATION OF WING (W2)

PROJECT NO. R-2915B  
 ASHE COUNTY  
 STATION: 198+64.50 -L-

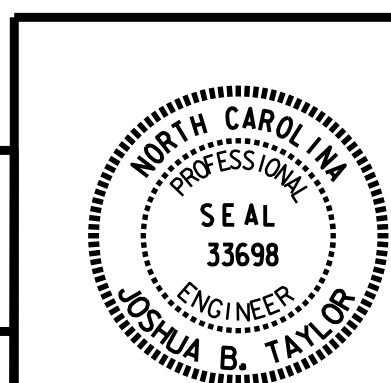
SHEET 2 OF 3

STATE OF NORTH CAROLINA  
 DEPARTMENT OF TRANSPORTATION  
 RALEIGH  
 SUBSTRUCTURE  
 END BENT 1  
 (NBL)

**CDM Smith**  
 CDM SMITH  
 5400 Glenwood Avenue, Suite 400  
 Raleigh, NC 27612-3228  
 NC COA No. F-1255

DRAWN BY : B. WADSWORTH DATE : 06-15  
 CHECKED BY : J. TAYLOR DATE : 06-15  
 DESIGN ENGINEER : J. TAYLOR DATE : 06-15

DWG. No.



REVISIONS			SHEET No.		
No.	BY:	DATE:	No.	BY:	DATE:
1			3		
2			4		

TOTAL SHEETS: 34

FILE: R:\med\192915B Structures\PLANS\Bentge 2 NBL\192915B\_SD\_B1\_02.dgn  
 DATE: 8/10/2015 7:04:19 AM