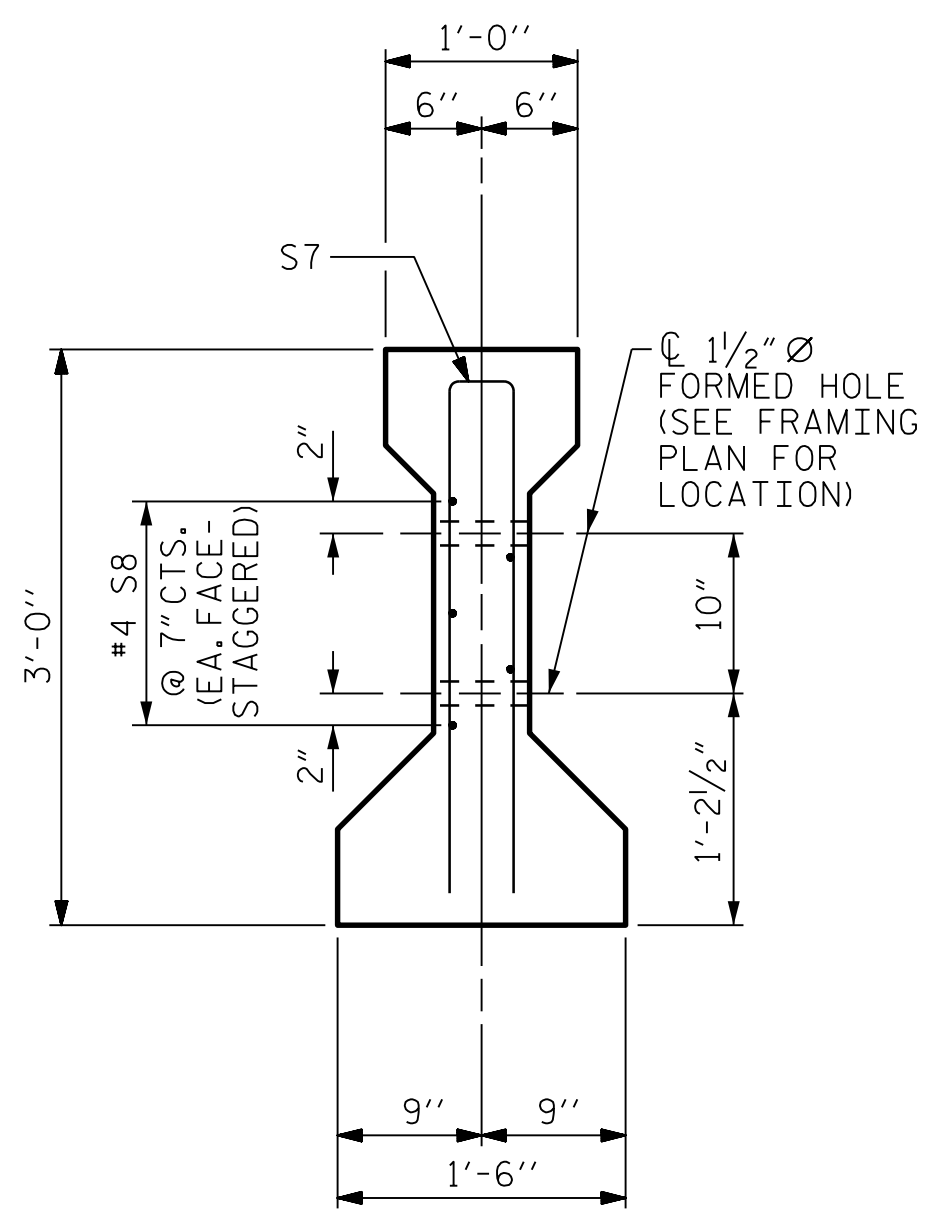
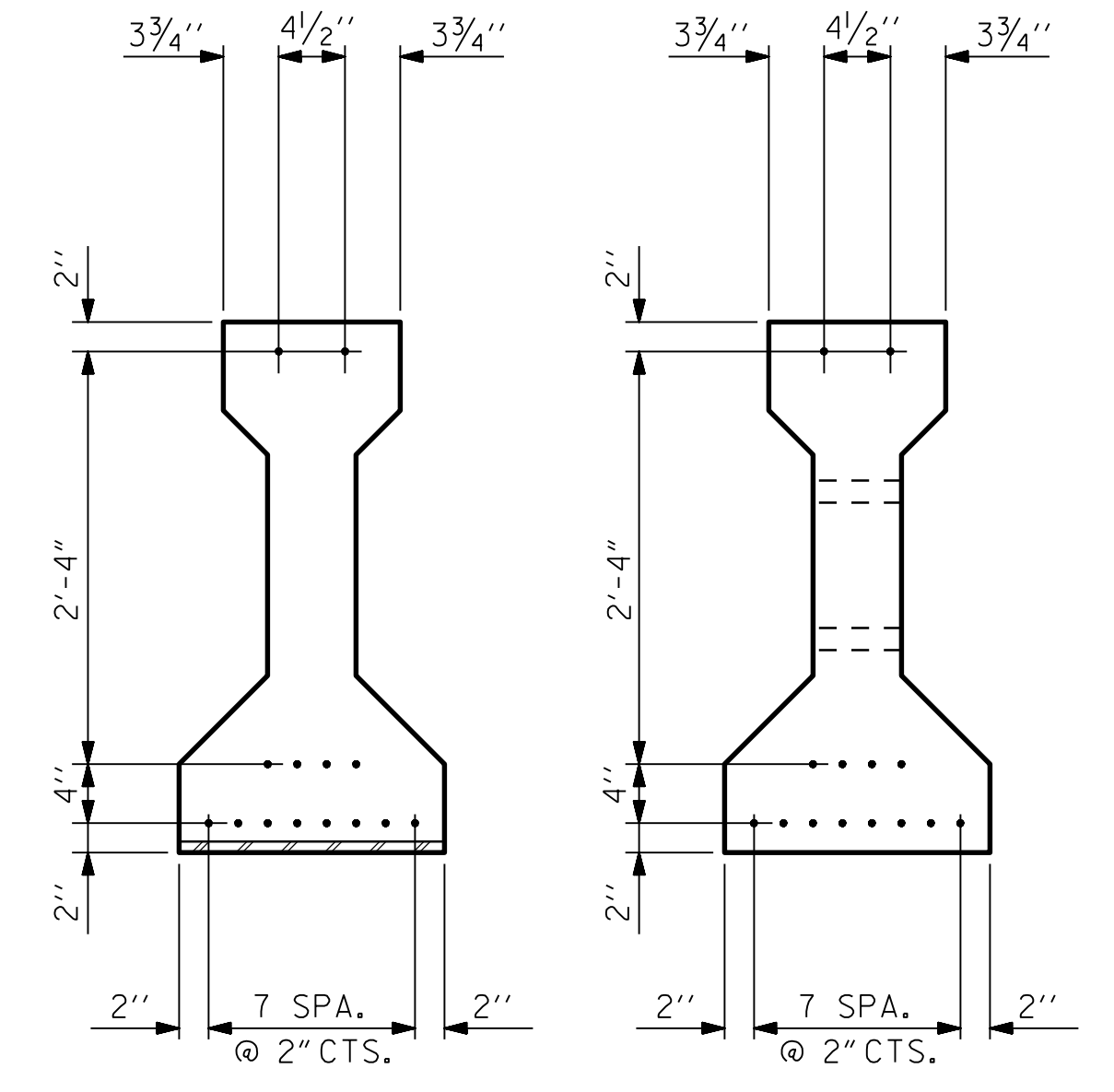


SECTION B-B

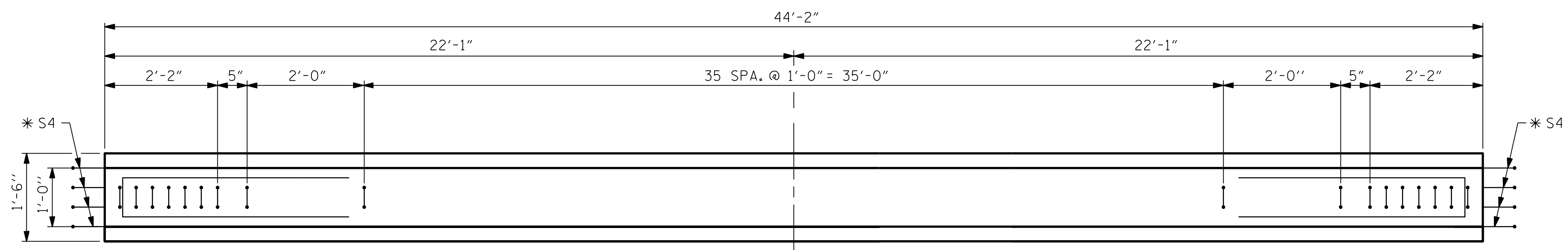


SECTION C-C

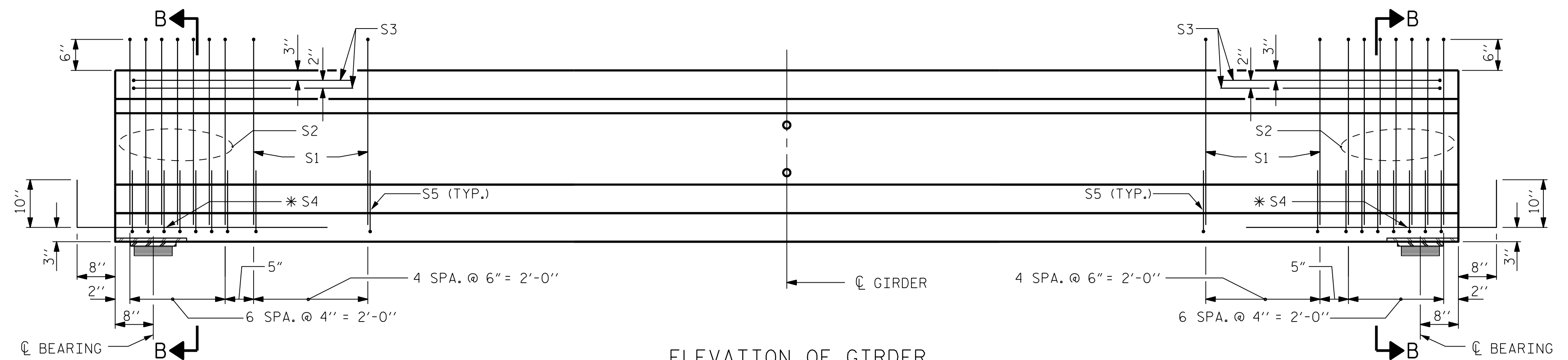
(S1 BARS NOT SHOWN)



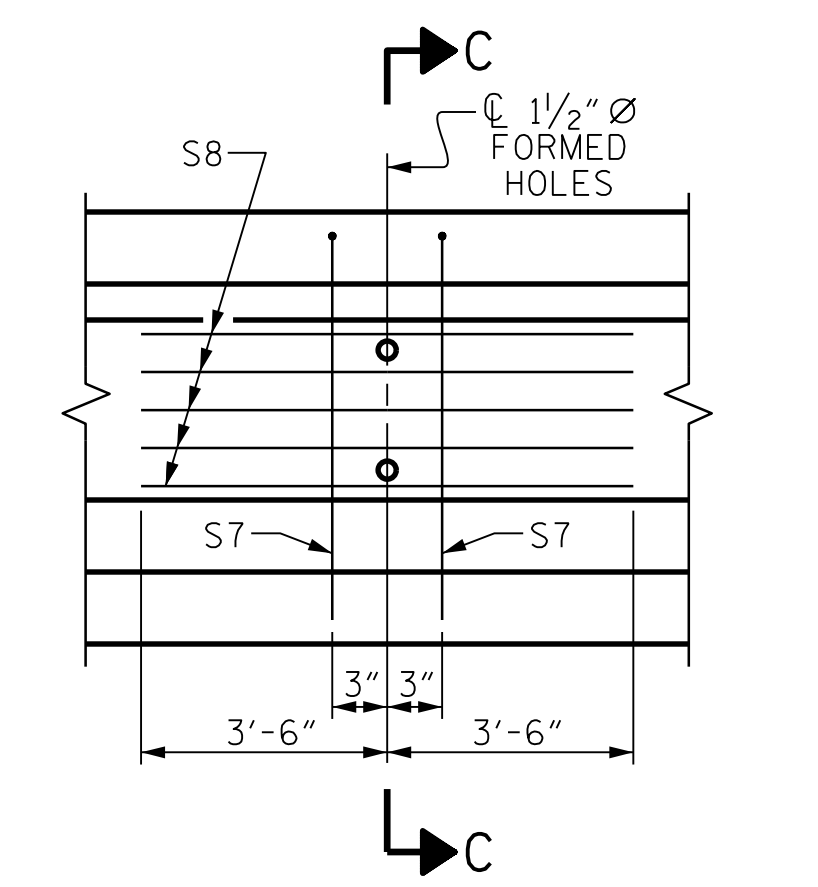
AT END OF GIRDER
AT C OF GIRDER
(ALL STRANDS FULLY BONDED)
0.6" Ø LOW RELAXATION STRAND LAYOUT



PLAN OF GIRDER



ELEVATION OF GIRDER
(SEE PARTIAL ELEVATION FOR ADDITIONAL "S" BARS)



PARTIAL ELEVATION
SHOWING INTERMEDIATE DIAPHRAGM REINFORCING STEEL FOR GIRDER NOS. B1 THRU B4

0.6" Ø L. R. GRADE 270 STRANDS

AREA (SQUARE INCHES)	ULTIMATE STRENGTH (LBS. PER STRAND)	APPLIED PRESTRESS (LBS. PER STRAND)
0.217	58,600	43,950

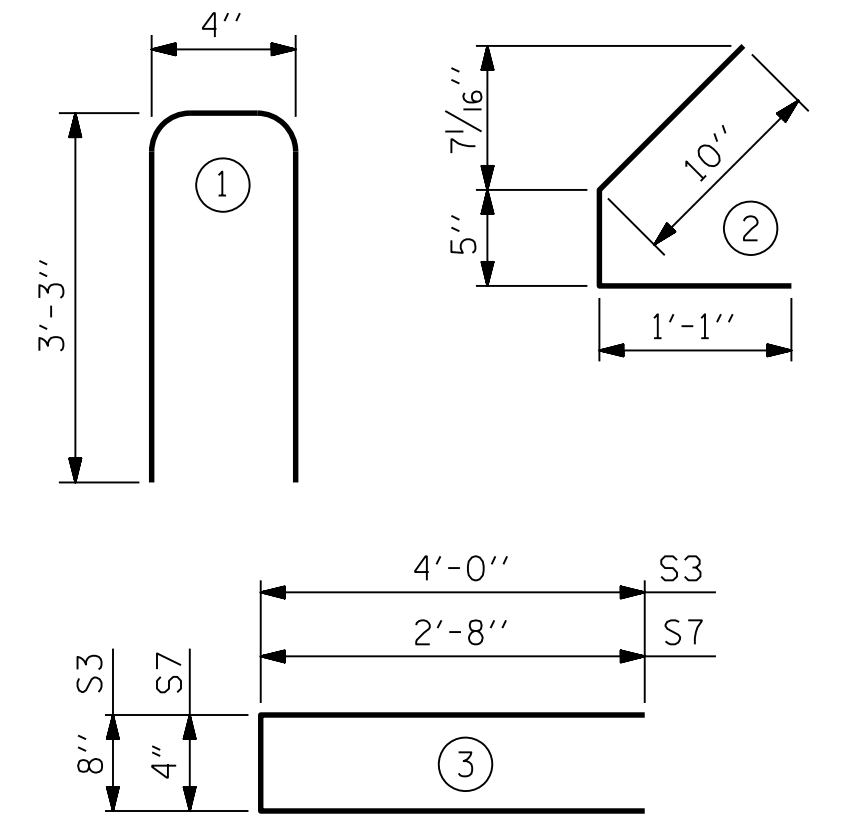
REINFORCING STEEL FOR ONE GIRDER

BAR	NUMBER	SIZE	TYPE	LENGTH	WEIGHT
S1	44	#4	1	6'-10"	201
S2	14	#5	1	6'-10"	100
S3	4	#4	3	8'-8"	23
*S4	8	#5	STR	3'-8"	31
S5	116	#4	2	2'-4"	181
S7	2	#4	3	5'-8"	8
S8	5	#4	STR	7'-0"	23

* NOTE: S4 BARS SHALL BE BENT BEFORE SHIPMENT. HEAT BENDING SHALL NOT BE ALLOWED.

BAR TYPES

ALL BAR DIMENSIONS ARE OUT-TO-OUT



QUANTITIES FOR ONE GIRDER

	REINFORCING STEEL LB.	6,500 PSI CONCRETE C.Y.	0.6" Ø L. R. STRANDS No.
SPAN B	567	4.2	14

GIRDERS REQUIRED

NUMBER	LENGTH	TOTAL LENGTH
4	44'-2"	176'-8"

PROJECT NO. R-2915B
ASHE COUNTY
STATION: 198+64.50 -L-

SHEET 2 OF 4

STATE OF NORTH CAROLINA
DEPARTMENT OF TRANSPORTATION
RALEIGH
STANDARD
AASHTO TYPE II
PRESTRESSED CONCRETE GIRDER
CONTINUOUS FOR LIVE LOAD
(SPAN B)
(NBL)

REVISIONS			SHEET No.		
No.	BY:	DATE:	No.	BY:	DATE:
1			3		
2			4		

STD. NO. PCG4

FILE: R:\med\192915B Structures\PLANS\Bridg 2 NBL\192915B_SD_GDR_02.dgn DATE: 8/10/2015 7:04:02 AM

ASSEMBLED BY :	J. SLOAN	DATE :	07-14
CHECKED BY :	J. TAYLOR	DATE :	08-14
DRAWN BY :	ELR 8/91	REV. 10/17/00R	RWW/LES
CHECKED BY :	GRP 8/91	REV. 5/1/06R	TLA/GM
		REV. 10/11/11	MAA/GM

CDM Smith
4000
CDM SMITH
5400 Glenwood Avenue, Suite 400
Raleigh, NC 27612-3228
NC COA No. F-1255

DESIGN ENGINEER : J. TAYLOR DATE : 06-15

DWG. No.

