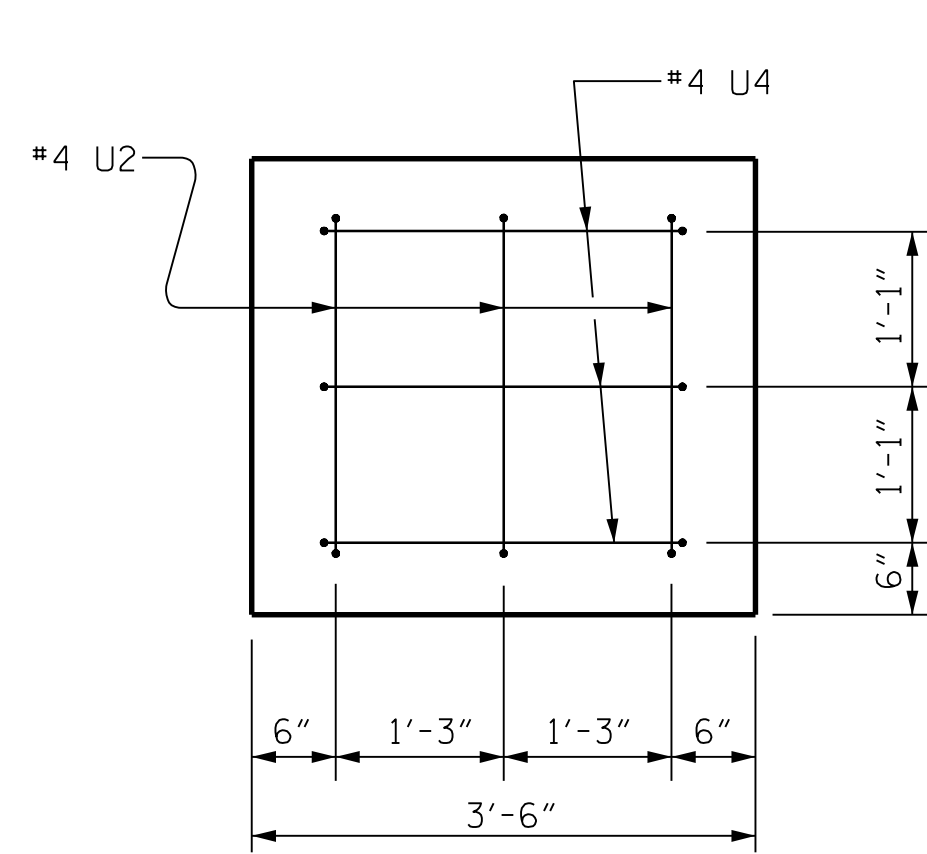
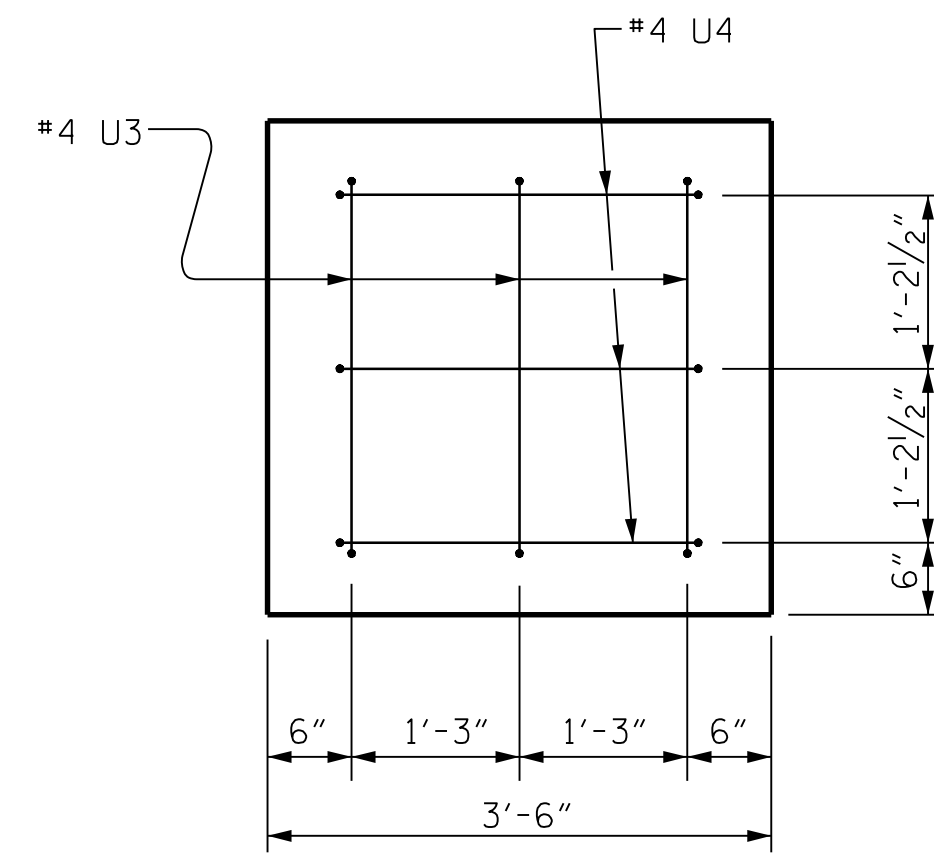


SECTION A-A



VIEW X-X



VIEW Y-Y

BAR TYPES

BILL OF MATERIAL

BENT 1

BAR NO.	SIZE	TYPE	LENGTH	WEIGHT
B1	#9	1	40'-10"	972
B2	#9	STR	38'-4"	912
B3	#5	STR	38'-4"	240
B4	#4	STR	9'-11"	139
B5	#4	STR	3'-10"	18
M1	#9	STR	23'-0"	2815
S1	#5	3	7'-11"	1057
U1	#4	4	6'-8"	160
U2	#4	4	4'-8"	9
U3	#4	4	4'-11"	10
U4	#4	4	5'-0"	20
V1	#9	2	14'-10"	605
V2	#9	2	13'-11"	568
V3	#9	2	13'-0"	530

REINFORCING STEEL 8055 LBS.

SP	NO.	SIZE	TYPE	LENGTH	WEIGHT
SP-1	3	#5	5	253'-8"	794
SP-2	1	#6	6	334'-4"	223
SP-3	1	#6	6	310'-3"	207
SP-4	1	#6	6	286'-3"	191

SPIRAL COLUMN REINFORCING STEEL 1415 LBS.

\* THE SP-1 SPIRAL REINFORCING STEEL SHALL BE W31 OR D-31 COLD DRAWN WIRE OR #5 PLAIN OR DEFORMED BAR

\* THE SP-2, SP-3, AND SP-4 SPIRAL REINFORCING STEEL SHALL BE W20 OR D-20 COLD DRAWN WIRE OR #4 PLAIN OR DEFORMED BAR

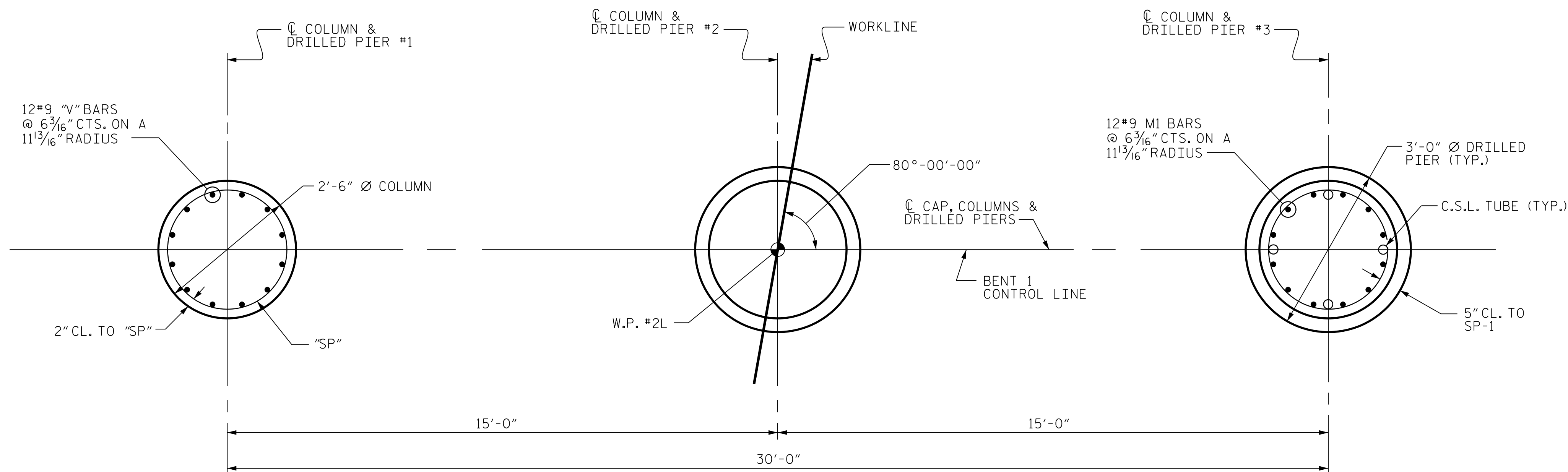
CLASS A CONCRETE BREAKDOWN

POUR	DESCRIPTION	VOLUME
POUR #2	(COLUMNS)	5.9 CU. YD.
POUR #3	(CAP)	15.6 CU. YD.
TOTAL CLASS A CONCRETE		21.5 CU. YD.

DRILLED PIERS

POUR	DESCRIPTION	VOLUME
POUR #1	(DRILLED PIERS)	12.4 CU. YD.
3'-0" Ø DRILLED PIERS		
	IN SOIL	15.3 LIN. FT.
	NOT IN SOIL	32.0 LIN. FT.
CSL TUBES		207 LIN. FT.
PERMANENT STEEL CASING		23.3 LIN. FT.

ALL BAR DIMENSIONS ARE OUT TO OUT.



COLUMN REINFORCEMENT

DRILLED PIER REINFORCEMENT

PLAN OF DRILLED PIERS & COLUMNS

(REINFORCING STEEL IS TYPICAL FOR EACH COLUMN & DRILLED PIER)

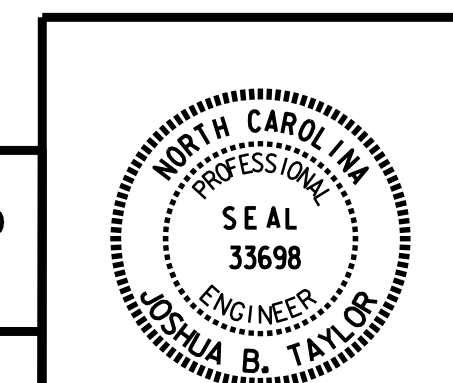
PROJECT NO. R-2915B  
 ASHE COUNTY  
 STATION: 198+64.50 -L-

SHEET 2 OF 2

STATE OF NORTH CAROLINA  
 DEPARTMENT OF TRANSPORTATION  
 RALEIGH  
 SUBSTRUCTURE  
 BENT 1  
 (SBL)

**CDM Smith**  
 CDM SMITH  
 5400 Glenwood Avenue, Suite 400  
 Raleigh, NC 27612-3228  
 NC COA No. F-1255

DRAWN BY: J. SLOAN DATE: 04-14 DWG. No.  
 CHECKED BY: J. TAYLOR DATE: 07-14  
 DESIGN ENGINEER: J. TAYLOR DATE: 08-14



REVISIONS			SHEET No.		
No.	BY:	DATE:	No.	BY:	DATE:
1			3		
2			4		

TOTAL SHEETS 34

FILE: R:\med\192915B Structures\PLANS\bridge 1 SBL\2915B\_S01\_B1\_02.dgn DATE: 11/7/2014 2:58:09 PM