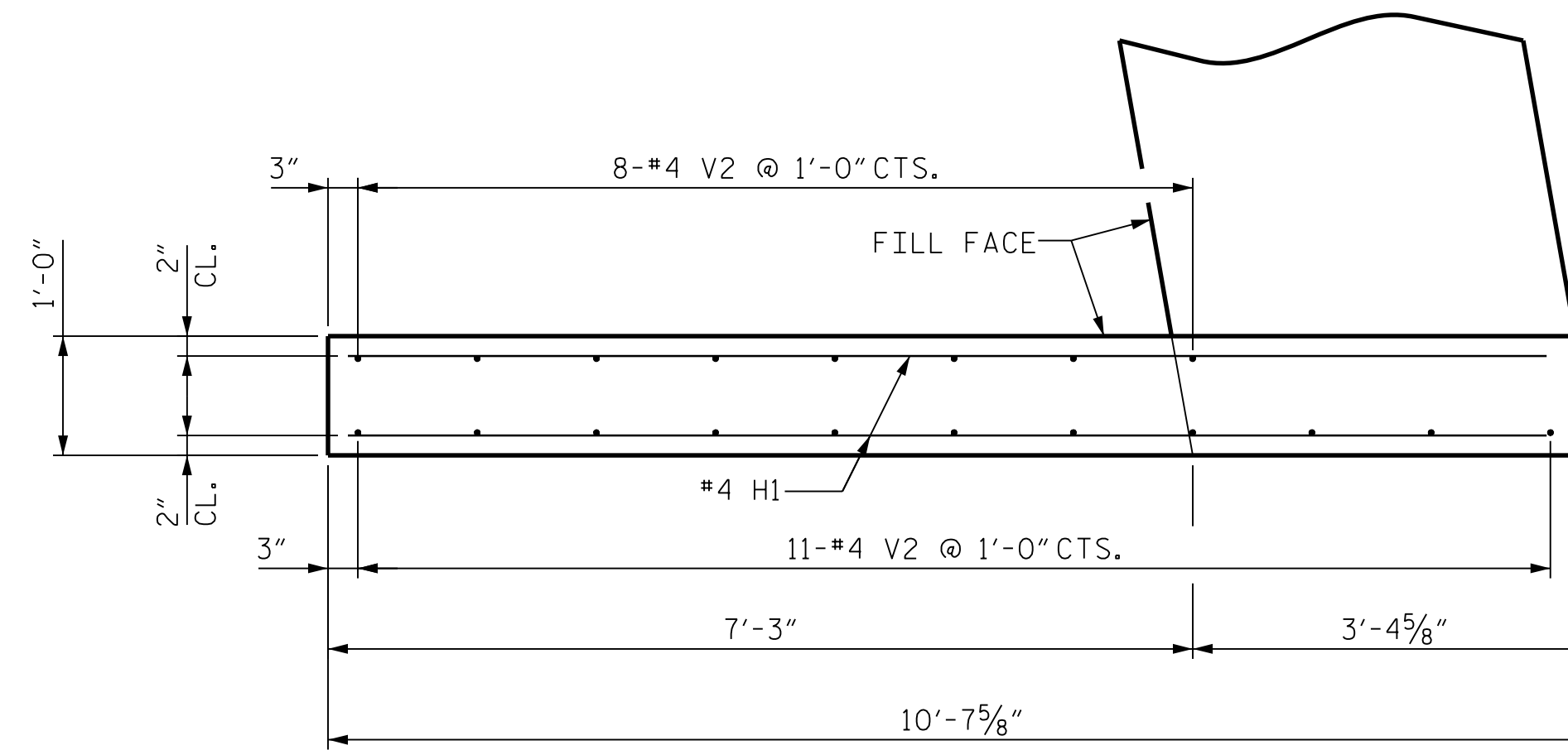
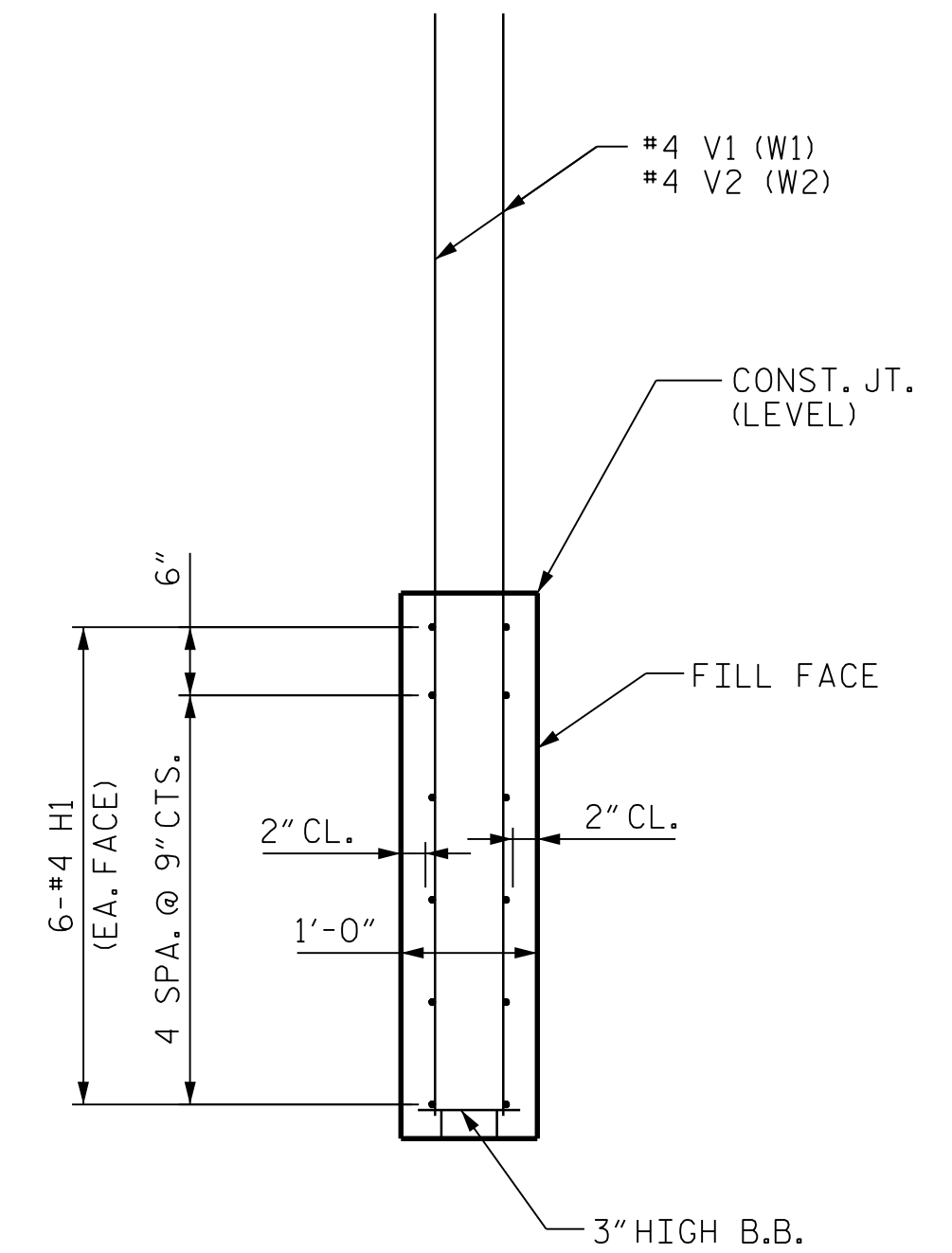


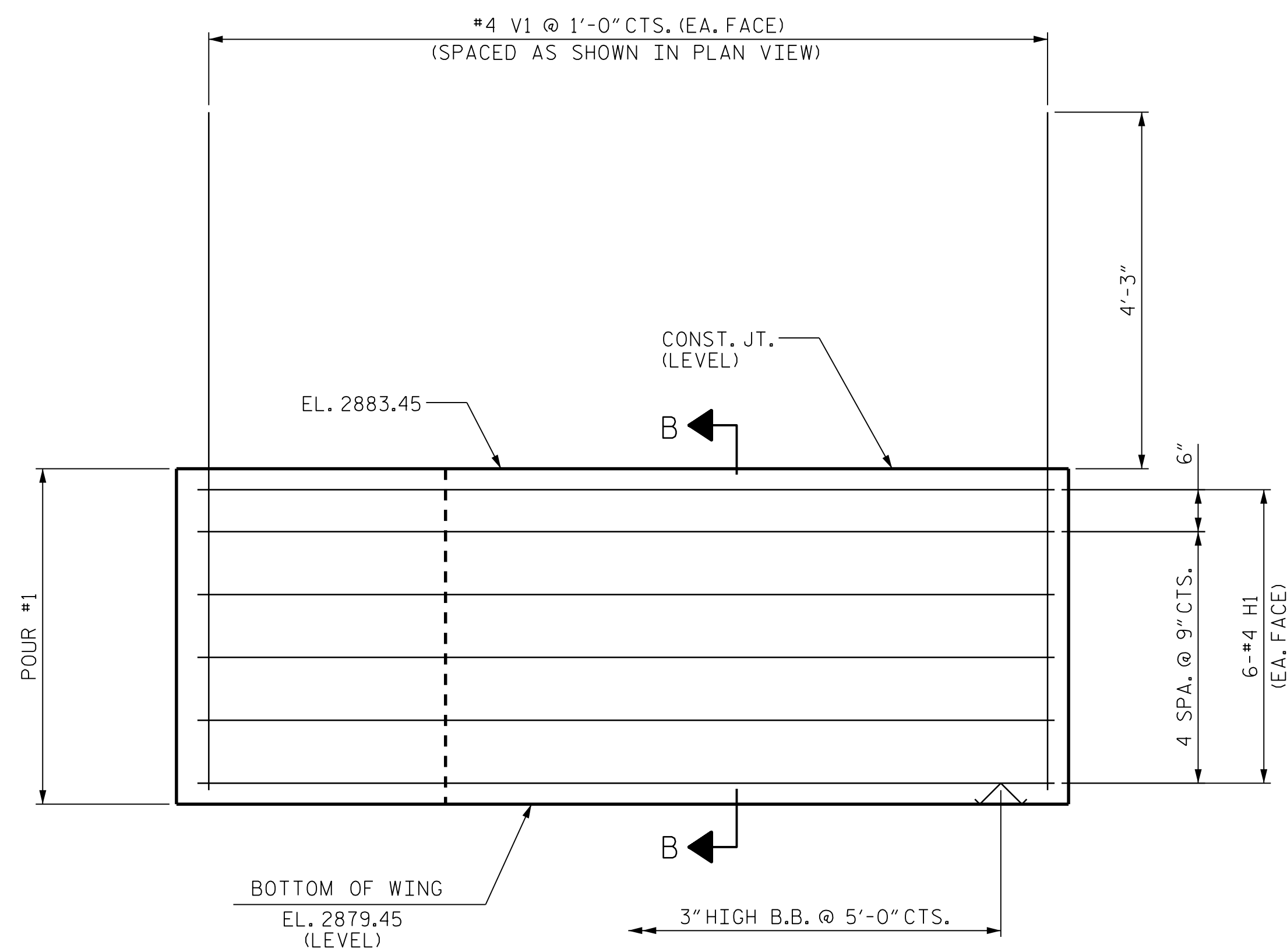
PLAN OF WING (W1)



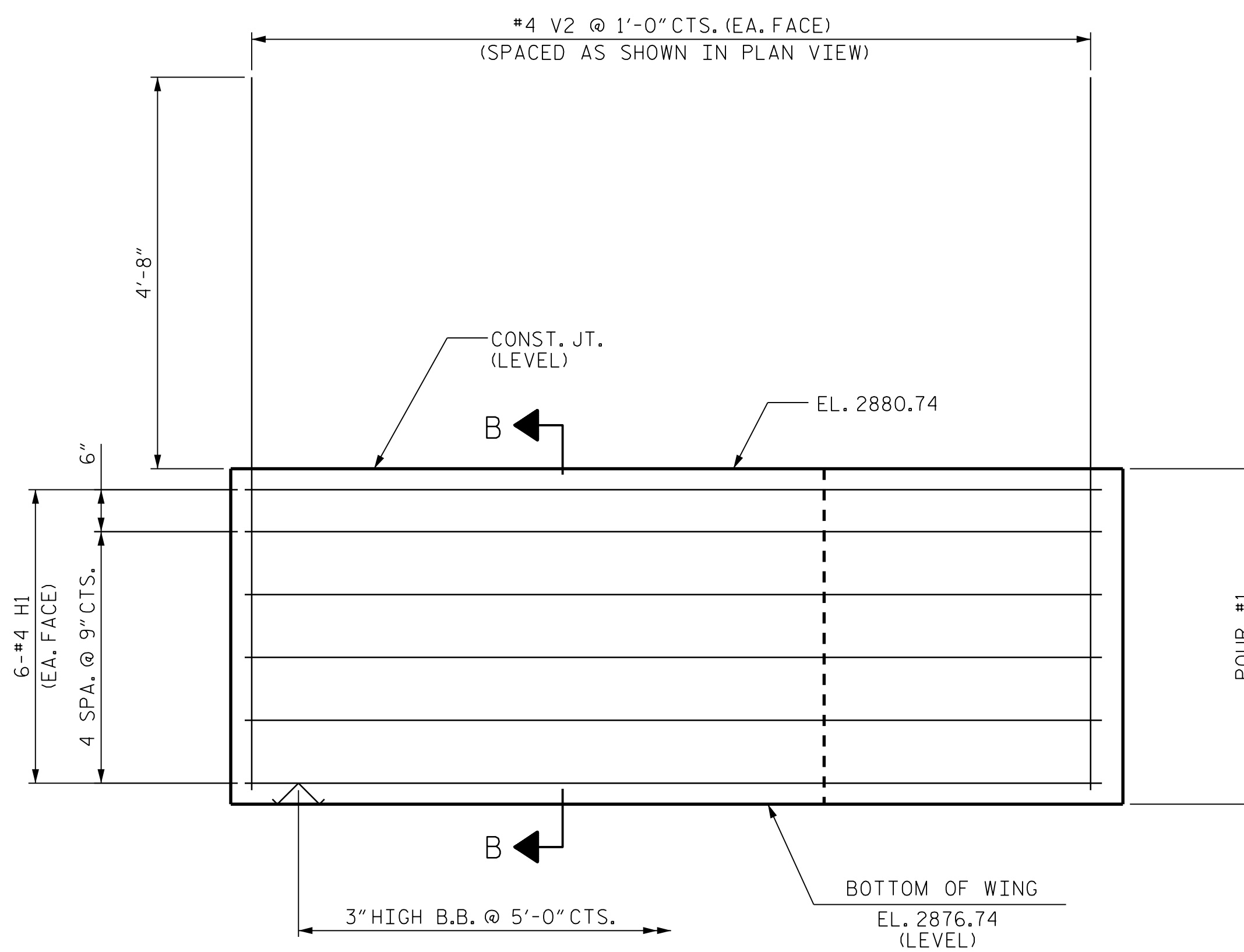
PLAN OF WING (W2)



SECTION B-B



ELEVATION OF WING (W1)



ELEVATION OF WING (W2)

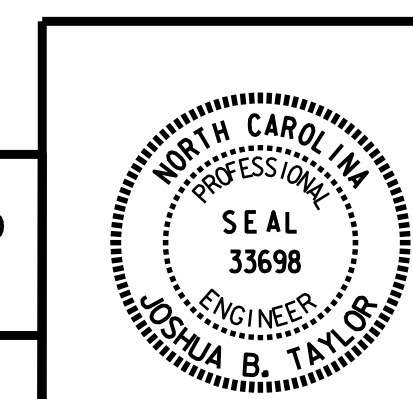
PROJECT NO. R-2915B
 ASHE COUNTY
 STATION: 198+64.50 -L-

SHEET 2 OF 3

STATE OF NORTH CAROLINA
 DEPARTMENT OF TRANSPORTATION
 RALEIGH
 SUBSTRUCTURE
 END BENT 1
 (SBL)

CDM Smith
 CDM SMITH
 5400 Glenwood Avenue, Suite 400
 Raleigh, NC 27612-3228
 NC COA No. F-1255

DRAWN BY : J. SLOAN DATE : 04-14 DWG. No.
 CHECKED BY : J. TAYLOR DATE : 07-14
 DESIGN ENGINEER : J. TAYLOR DATE : 08-14



REVISIONS			SHEET No.		
No.	BY:	DATE:	No.	BY:	DATE:
1			3		
2			4		

TOTAL SHEETS: 34

FILE: R:\medon\192915B\Structures\PLANS\Bentge 1 SBL.dwg
 DATE: 11/7/2014 2:57:58 PM