

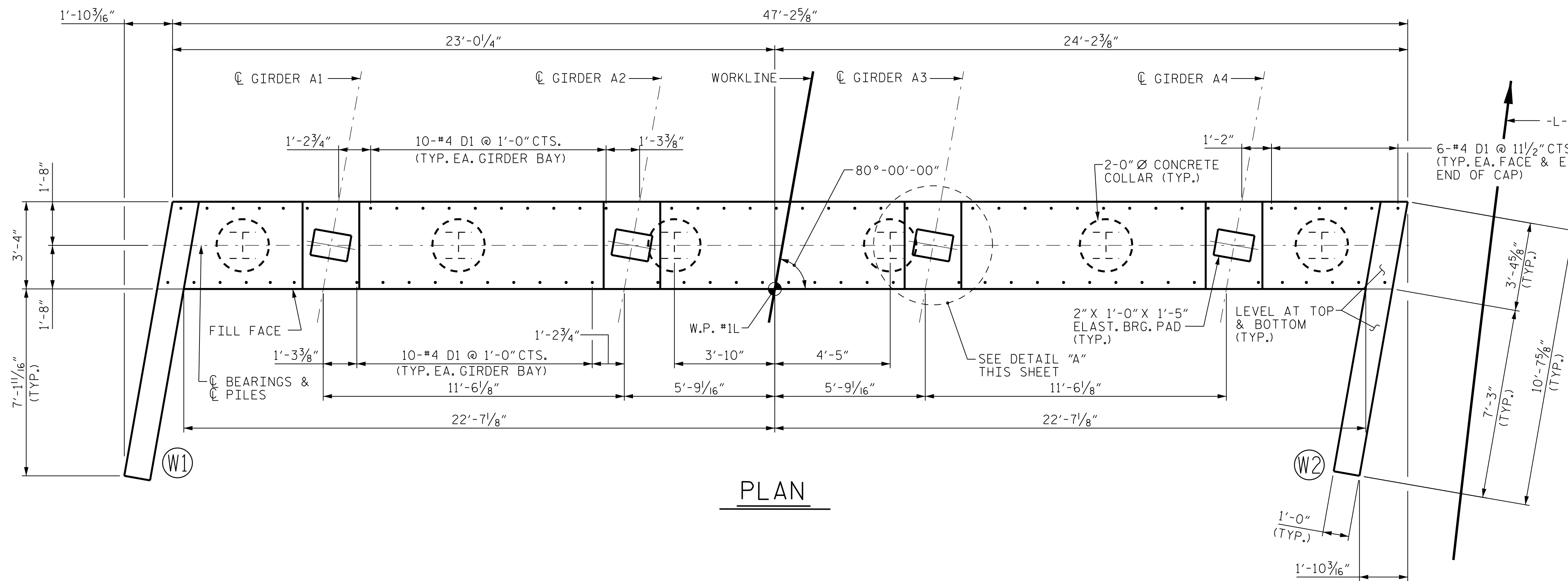
NOTES

FOR SECTION A-A, SEE SHEET 3 OF 3.

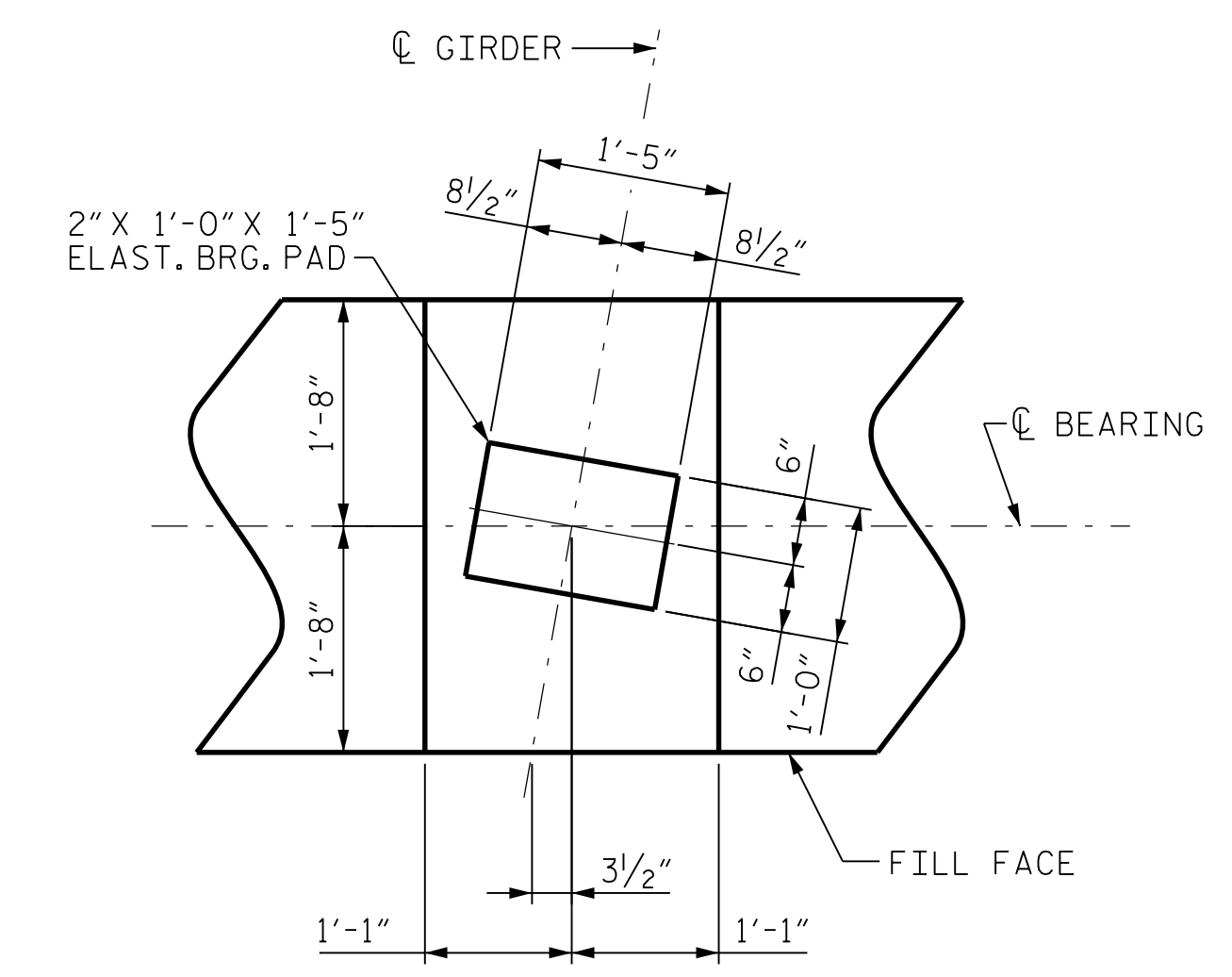
INSTALL THE 4" Ø DRAIN PIPE THROUGH THE WINGWALL AS REQUIRED FOR REINFORCED BRIDGE APPROACH FILLS, SEE THE ROADWAY PLANS. REINFORCING STEEL IN THE WINGWALL MAY BE SHIFTED AS NECESSARY TO CLEAR THE DRAIN PIPE.

THE TOP SURFACE OF THE END BENT CAP AND WINGS, EXCLUDING THE BEARING SEATS, SHALL BE RAKED TO A DEPTH OF 1/4".

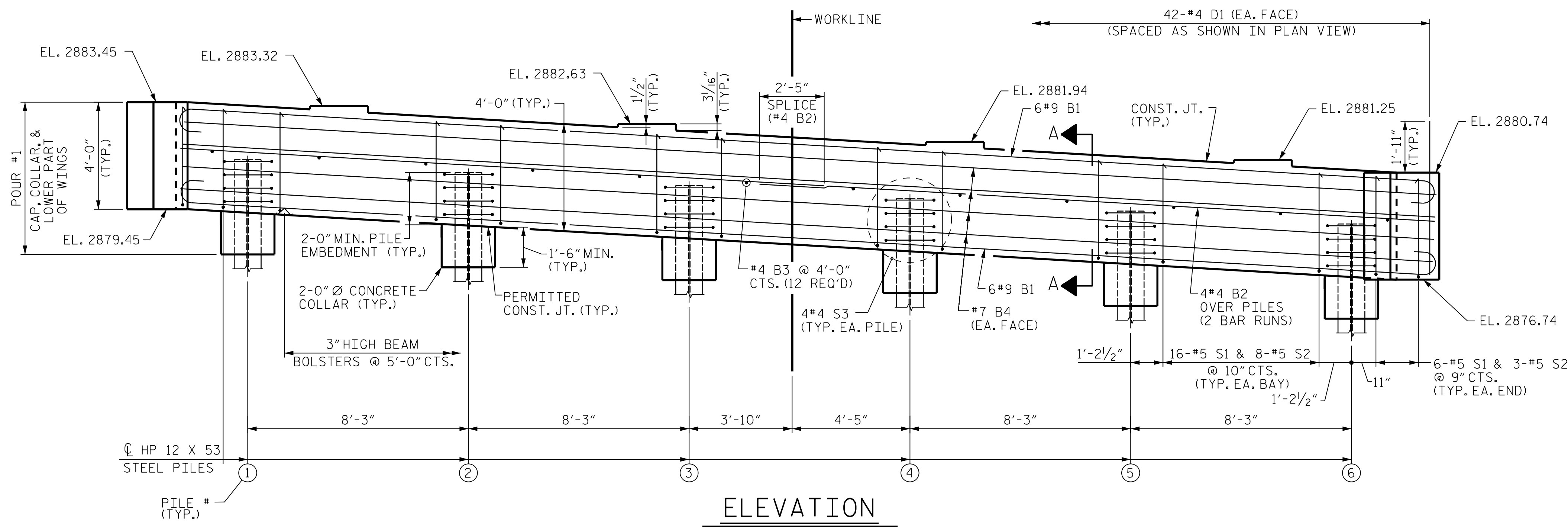
PILE	TOP OF PILE ELEVATION	ESTIMATED PILE LENGTH (FT)
1	2881.33	17.0
2	2880.84	18.0
3	2880.34	19.0
4	2879.85	20.0
5	2879.35	21.0
6	2878.86	22.0



PLAN



DETAIL "A"  
(TYP. EACH GIRDER)



ELEVATION

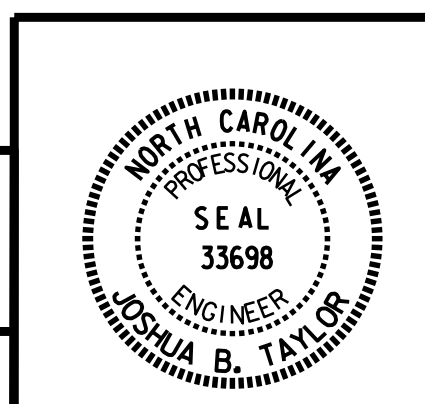
PROJECT NO. R-2915B  
 ASHE COUNTY  
 STATION: 198+64.50 -L-

SHEET 1 OF 3

STATE OF NORTH CAROLINA  
 DEPARTMENT OF TRANSPORTATION  
 RALEIGH  
 SUBSTRUCTURE  
 END BENT 1  
 (SBL)

**CDM Smith**  
 CDM SMITH  
 5400 Glenwood Avenue, Suite 400  
 Raleigh, NC 27612-3228  
 NC COA No. F-1255

DRAWN BY: J. SLOAN DATE: 04-14 DWG. No.  
 CHECKED BY: J. TAYLOR DATE: 07-14  
 DESIGN ENGINEER: J. TAYLOR DATE: 08-14



REVISIONS		SHEET No.	
No.	BY:	DATE:	No.
1			3
2			4

TOTAL SHEETS: 34

FILE: R:\medwin\2915B Structures\PLANS\bridge 1 SBL\2915B\_S01\_EB1\_01.dgn  
 DATE: 11/7/2014 2:57:55 PM