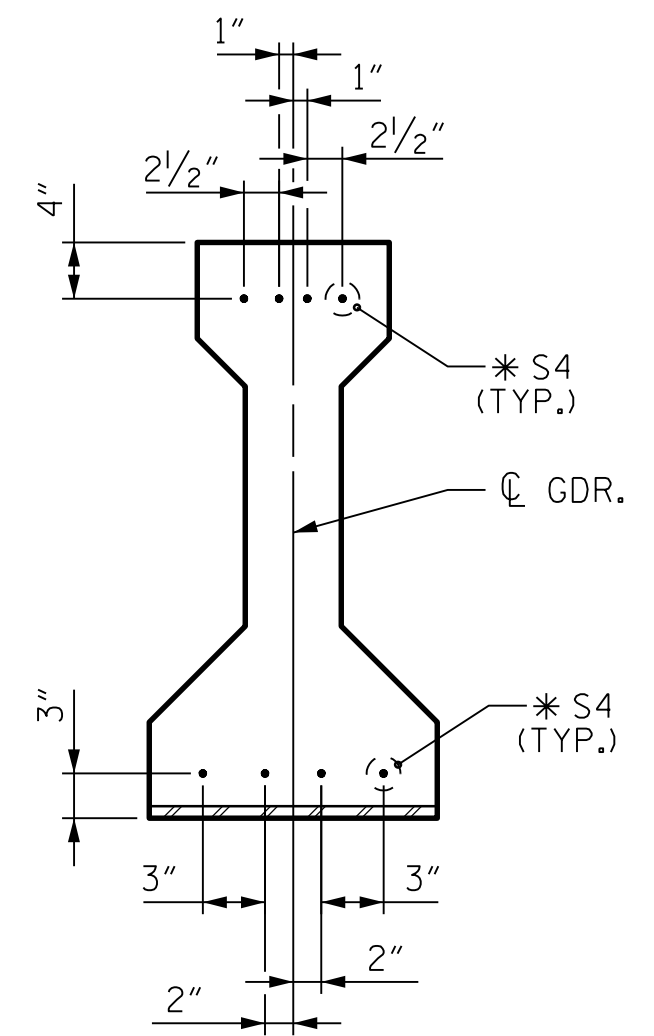
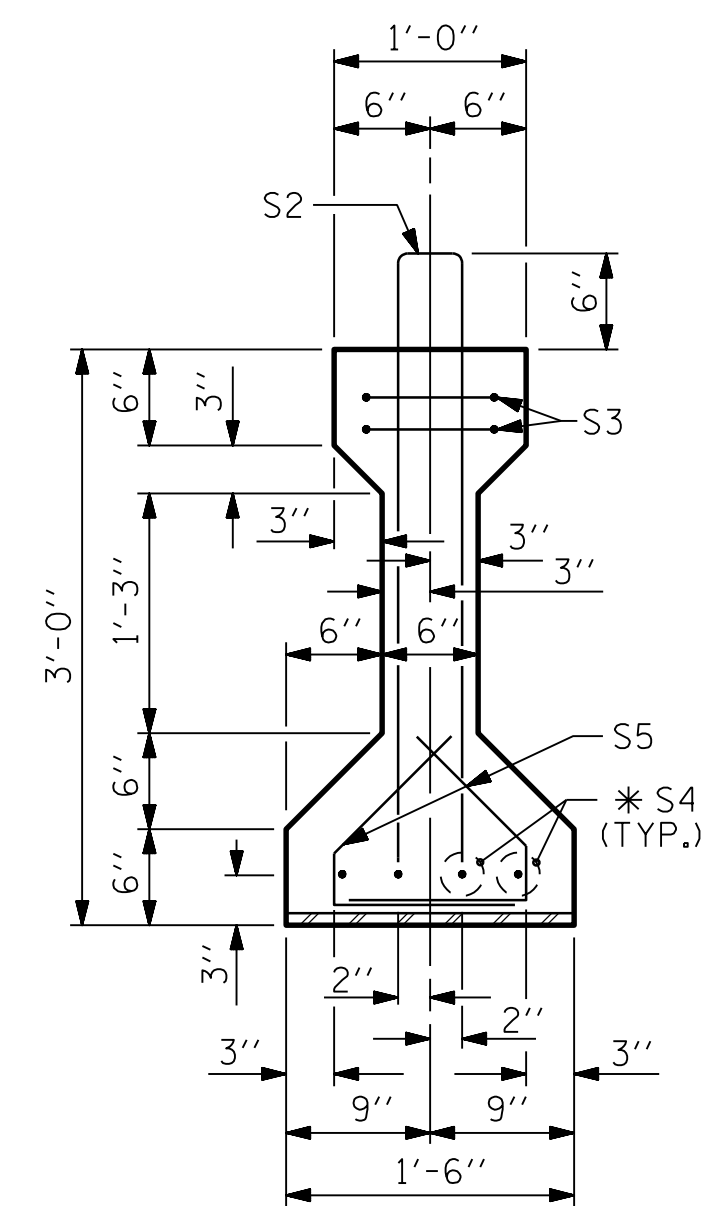


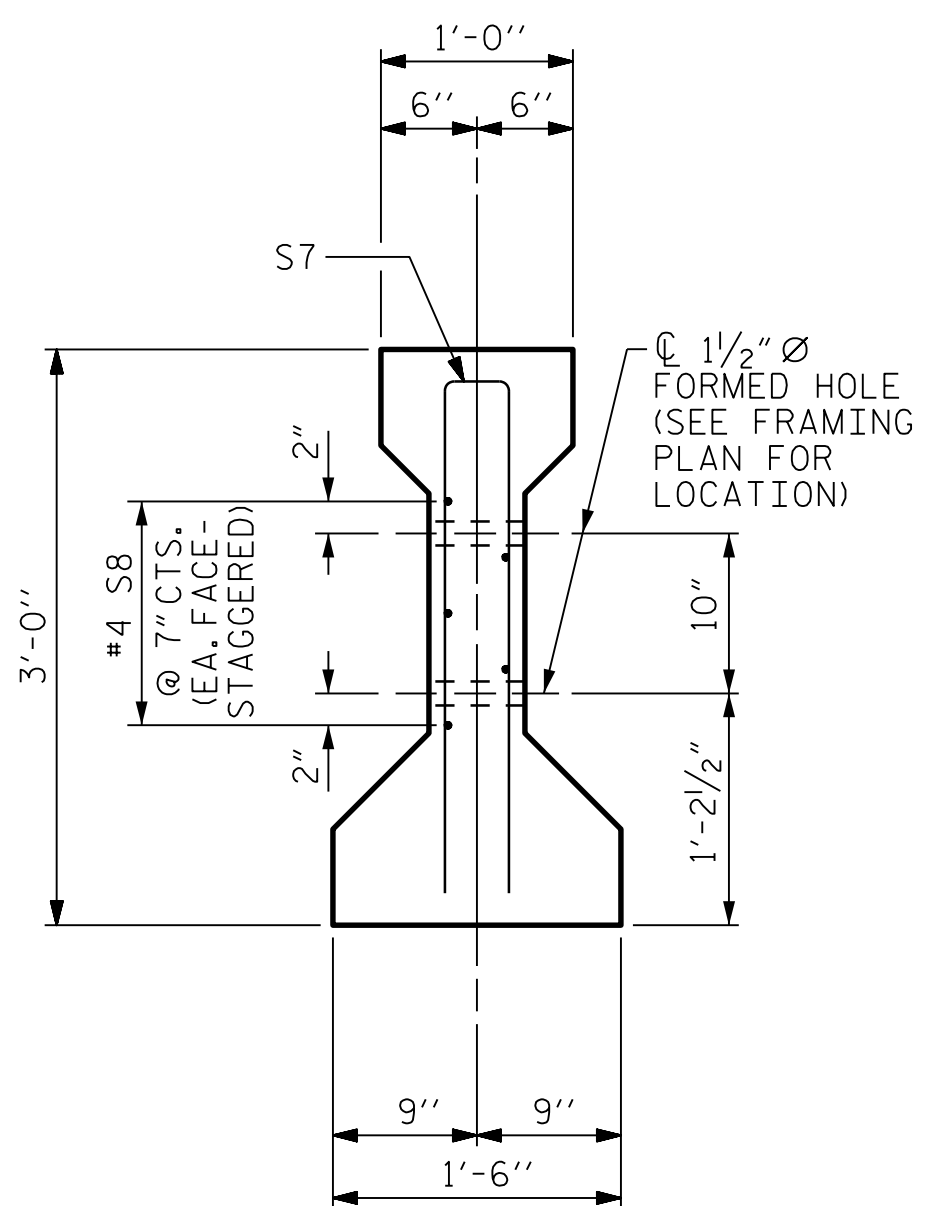
SECTION A-A
FOR S4 BARS, SEE
DETAIL "A"



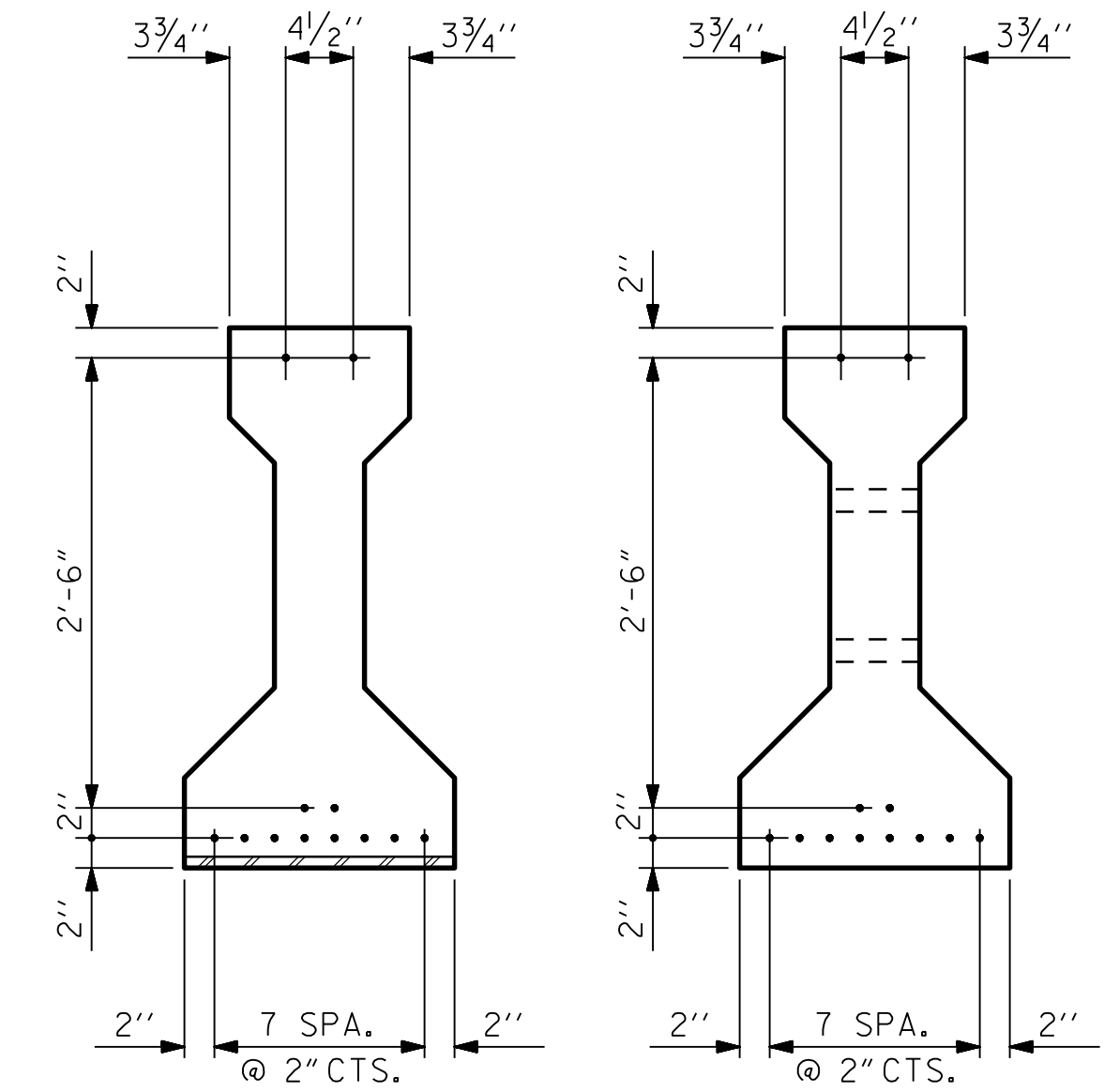
DETAIL "A"



SECTION B-B



SECTION C-C
(S1 BARS NOT SHOWN)



AT END OF GIRDER
(ALL STRANDS FULLY BONDED)
AT C. OF GIRDER
0.6" Ø LOW RELAXATION STRAND LAYOUT

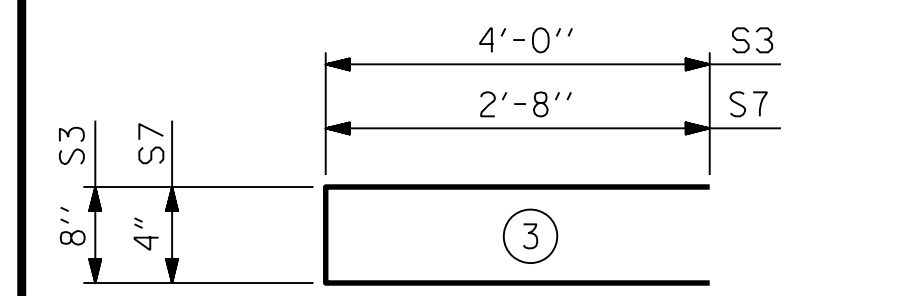
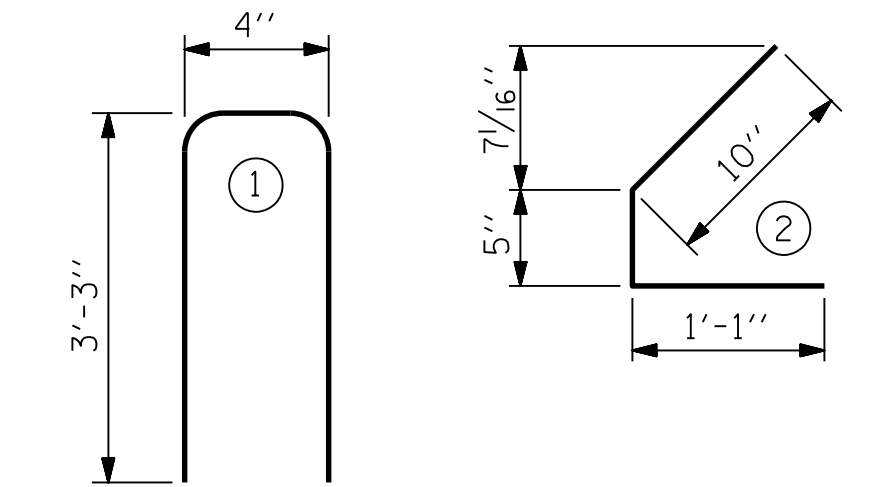
0.6" Ø L. R. GRADE 270 STRANDS		
AREA (SQUARE INCHES)	ULTIMATE STRENGTH (LBS. PER STRAND)	APPLIED PRESTRESS (LBS. PER STRAND)
0.217	58,600	43,950

REINFORCING STEEL FOR ONE GIRDER					
BAR	NUMBER	SIZE	TYPE	LENGTH	WEIGHT
S1	53	#4	1	6'-10"	242
S2	14	#5	1	6'-10"	100
S3	4	#4	3	8'-8"	23
*S4	12	#5	STR	3'-8"	46
S5	134	#4	2	2'-4"	209
S6	1	#4	STR	0'-8"	1
S7	2	#5	3	5'-8"	12
S8	5	#4	STR	7'-0"	23
S9	1	#4	STR	1'-2"	1

* NOTE: S4 BARS SHALL BE BENT BEFORE SHIPMENT. HEAT BENDING SHALL NOT BE ALLOWED.

BAR TYPES

ALL BAR DIMENSIONS ARE OUT-TO-OUT



QUANTITIES FOR ONE GIRDER

	REINFORCING STEEL LB.	8,000 PSI CONCRETE C.Y.	0.6" Ø L. R. STRANDS No.
SPAN A	657	3.9	12
SPAN C	657	3.9	12

GIRDERS REQUIRED

NUMBER	LENGTH	TOTAL LENGTH
(SPAN A) 4	41'-0 1/16"	164'-2 3/4"
(SPAN C) 4	41'-0 1/16"	164'-2 3/4"

PROJECT NO. R-2915B
ASHE COUNTY
STATION: 198+64.50 -L-

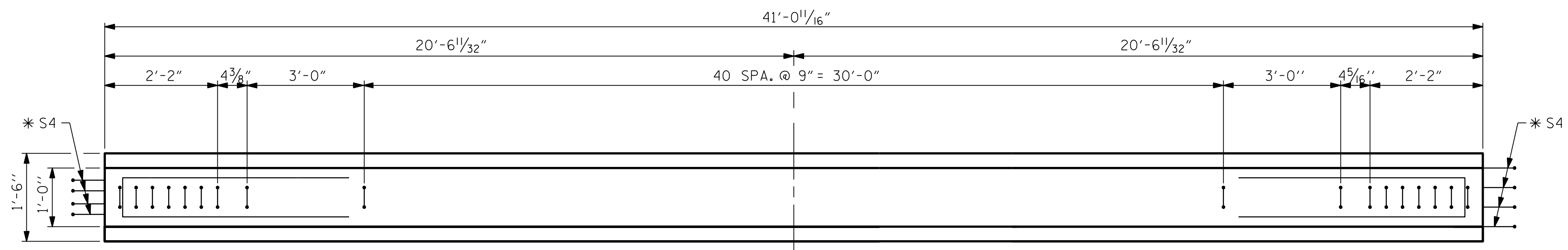
SHEET 1 OF 4

STATE OF NORTH CAROLINA
DEPARTMENT OF TRANSPORTATION
RALEIGH
STANDARD
AASHTO TYPE II
PRESTRESSED CONCRETE GIRDER
CONTINUOUS FOR LIVE LOAD
(SPANS A & C)
(SBL)

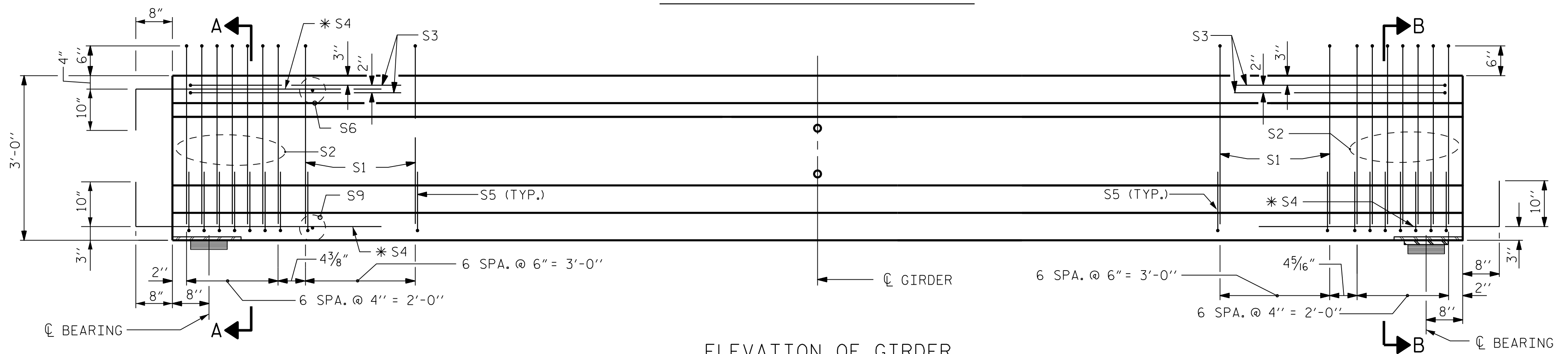
REVISIONS				SHEET No.	
No.	BY:	DATE:	No.	BY:	DATE:
1			3		
2			4		

S01-13
TOTAL SHEETS 34

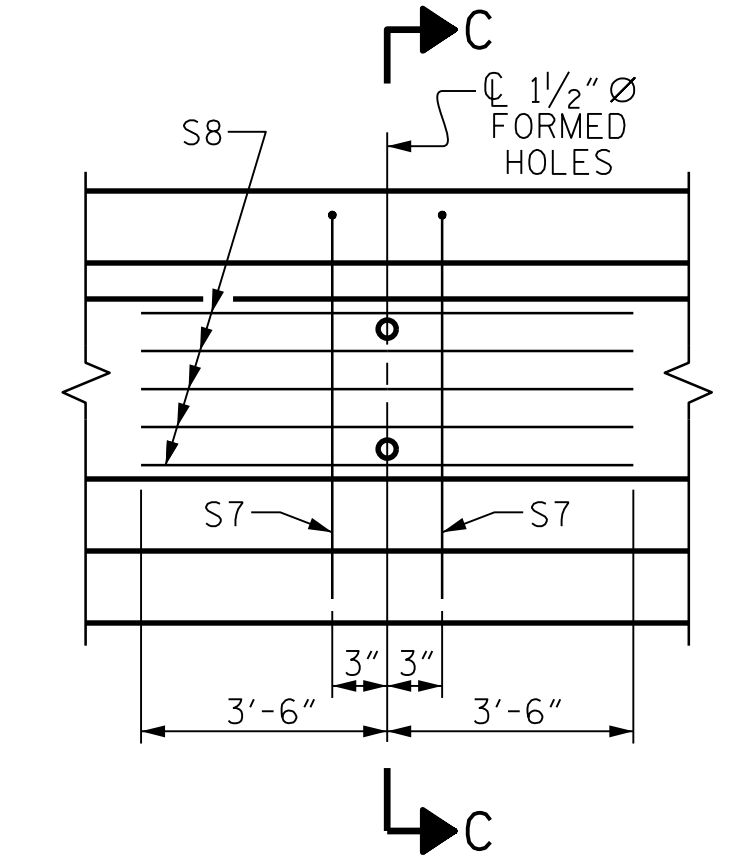
STD. NO. PCG4



PLAN OF GIRDER



ELEVATION OF GIRDER
(SEE PARTIAL ELEVATION FOR ADDITIONAL "S" BARS)
(SPAN A SHOWN. SPAN C SIMILAR BY ROTATION.)



PARTIAL ELEVATION
SHOWING INTERMEDIATE DIAPHRAGM
REINFORCING STEEL FOR GIRDER Nos.
A1 THRU A4 AND C1 THRU C4

CDM Smith
4500 Glenwood Avenue, Suite 400
Raleigh, NC 27612-3228
NC COA No. F-1255

DESIGN ENGINEER: J. TAYLOR DATE: 06-15



FILE: R:\med\192915B Structures\PLANS\Bridg 1 SBL.R2915B_SD_GDR_01.dgn
DATE: 6/17/2015 2:29:08 PM

ASSEMBLED BY :	B. WADSWORTH	DATE :	06-15
CHECKED BY :	J. TAYLOR	DATE :	06-15
DRAWN BY :	ELR 8/91	REV. 10/17/00R	RWW/LES
CHECKED BY :	GRP 8/91	REV. 5/1/06R	TLA/GM
		REV. 10/1/11	MAA/GM