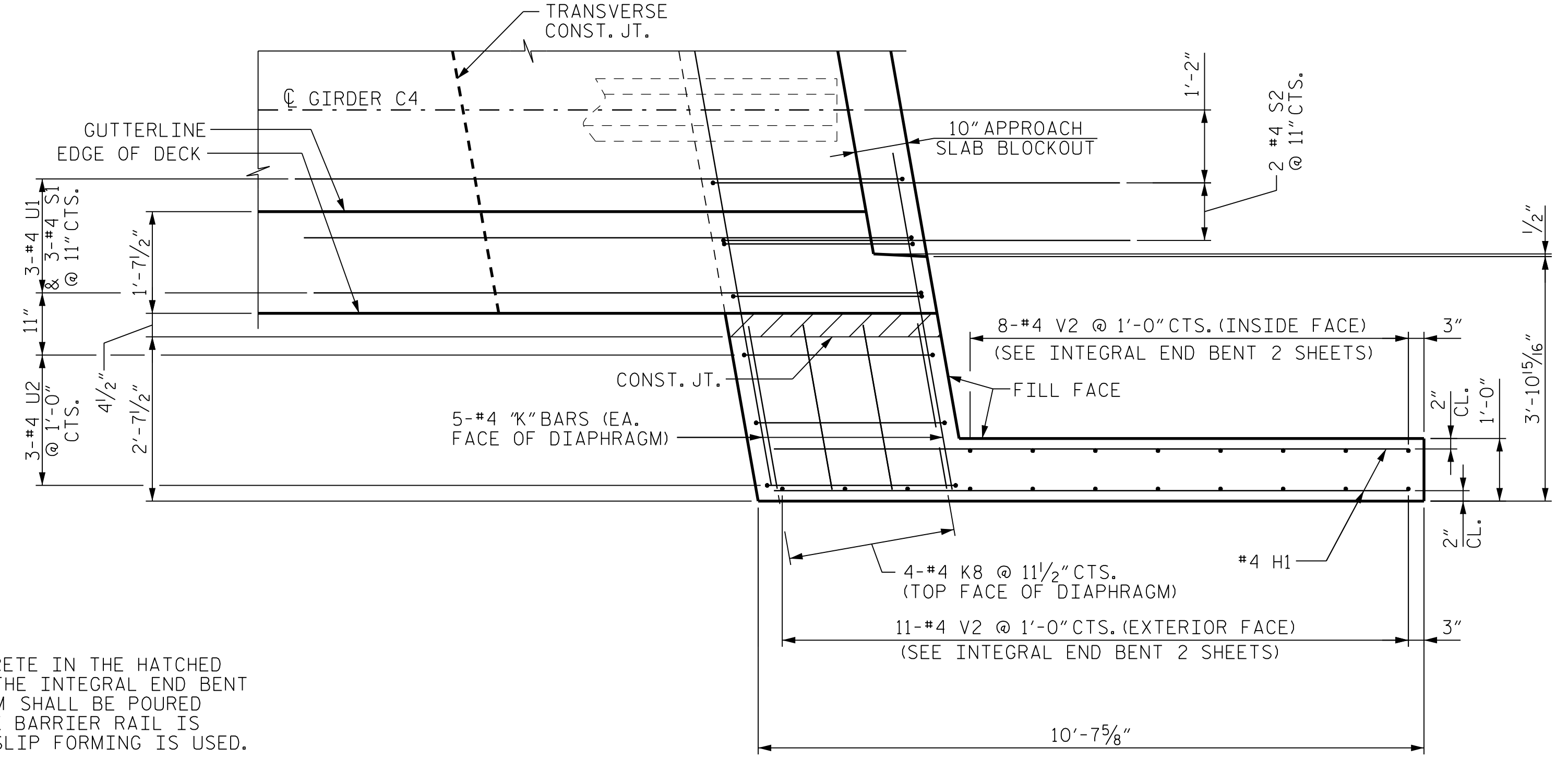


PLAN OF WING (W3)

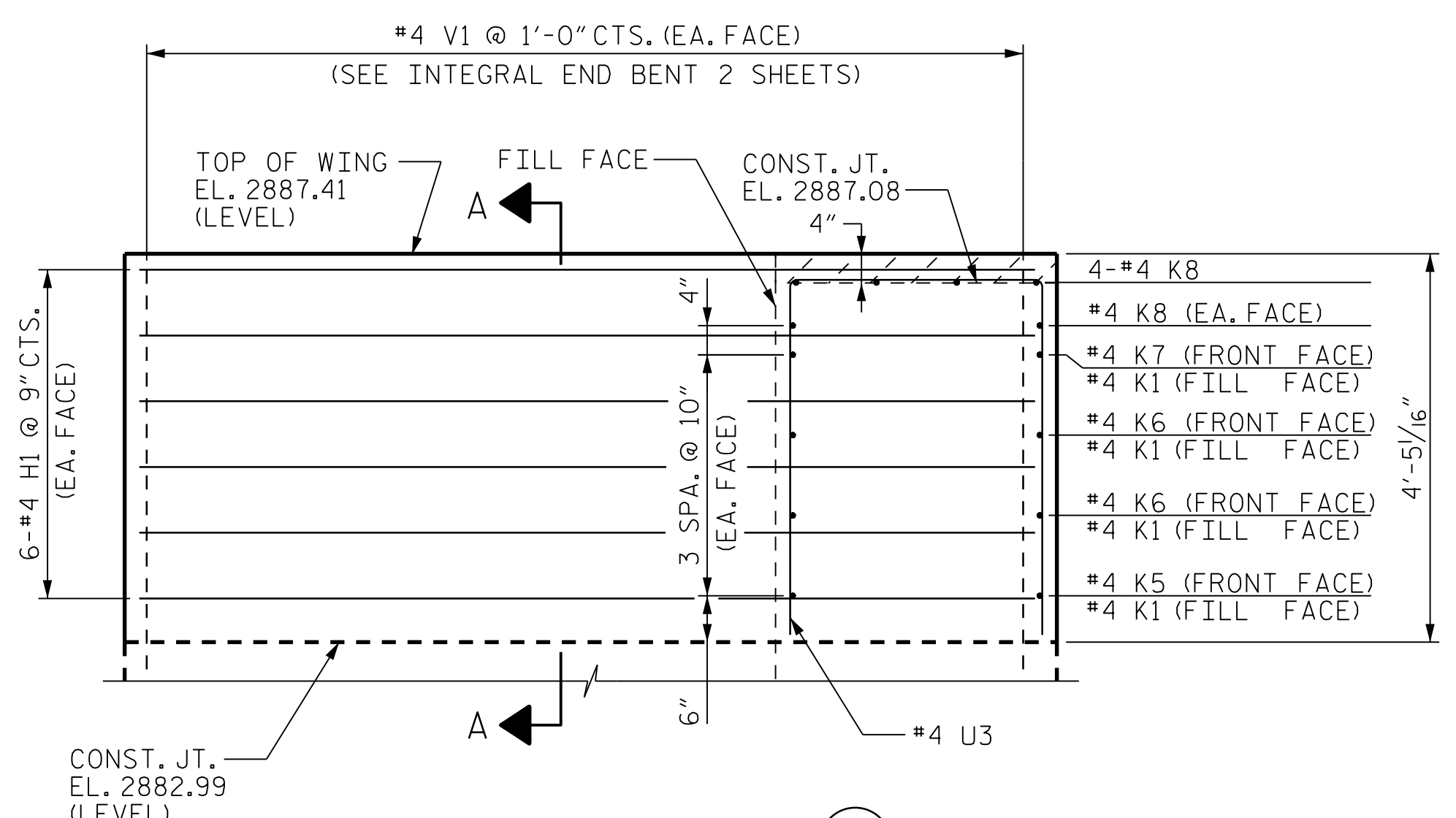
DECK "A" BARS AND "B" BARS NOT SHOWN FOR CLARITY



PLAN OF WING (W4)

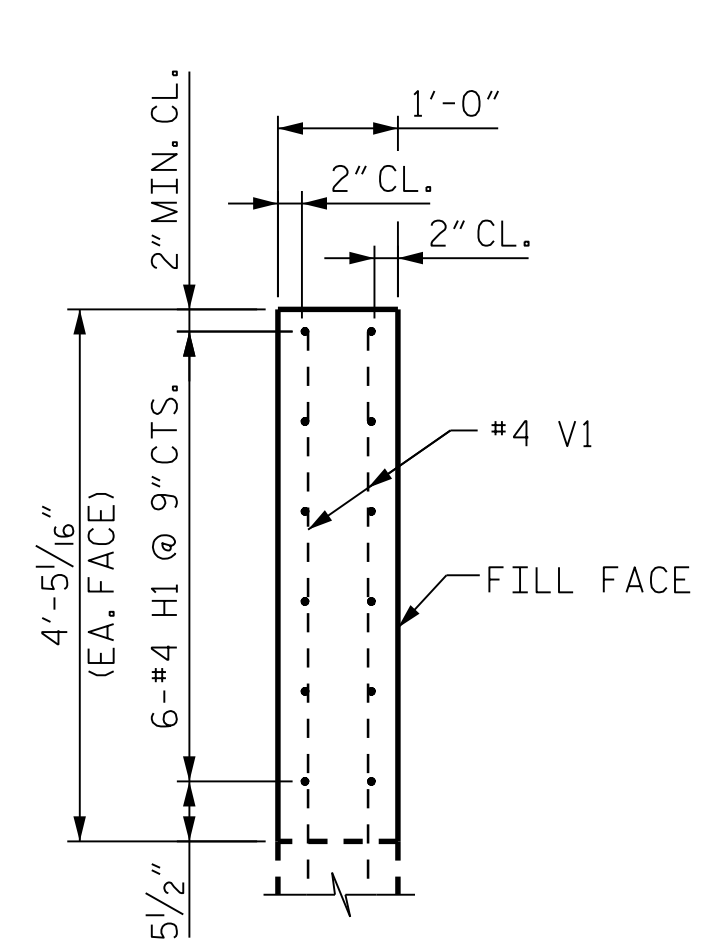
DECK "A" BARS AND "B" BARS NOT SHOWN FOR CLARITY

THE CONCRETE IN THE HATCHED AREA OF THE INTEGRAL END BENT DIAPHRAGM SHALL BE POURED AFTER THE BARRIER RAIL IS CAST IF SLIP FORMING IS USED.

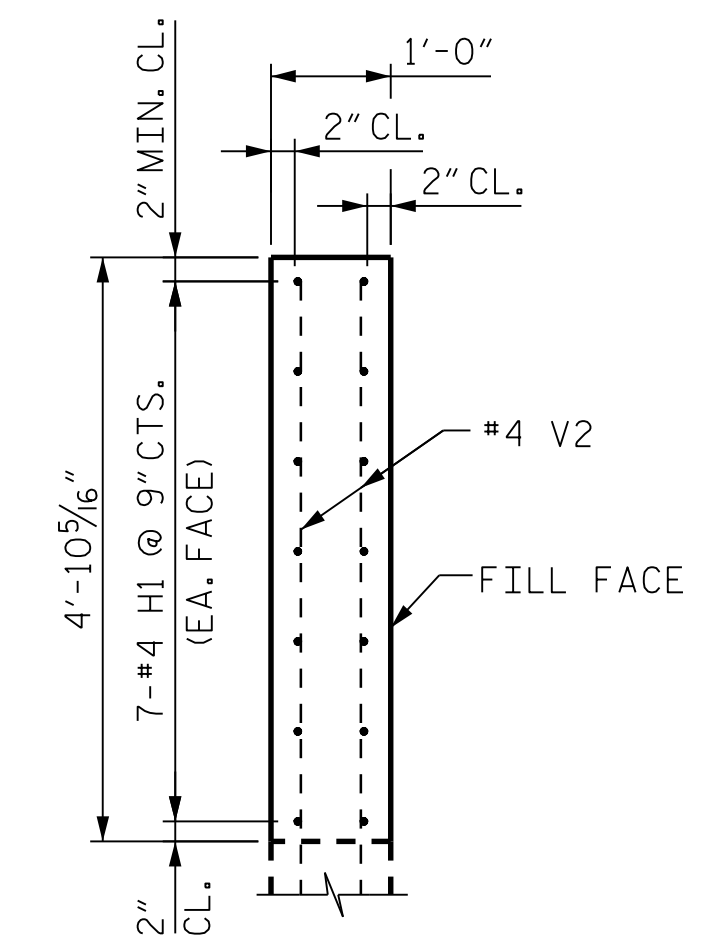


ELEVATION OF WING (W3)

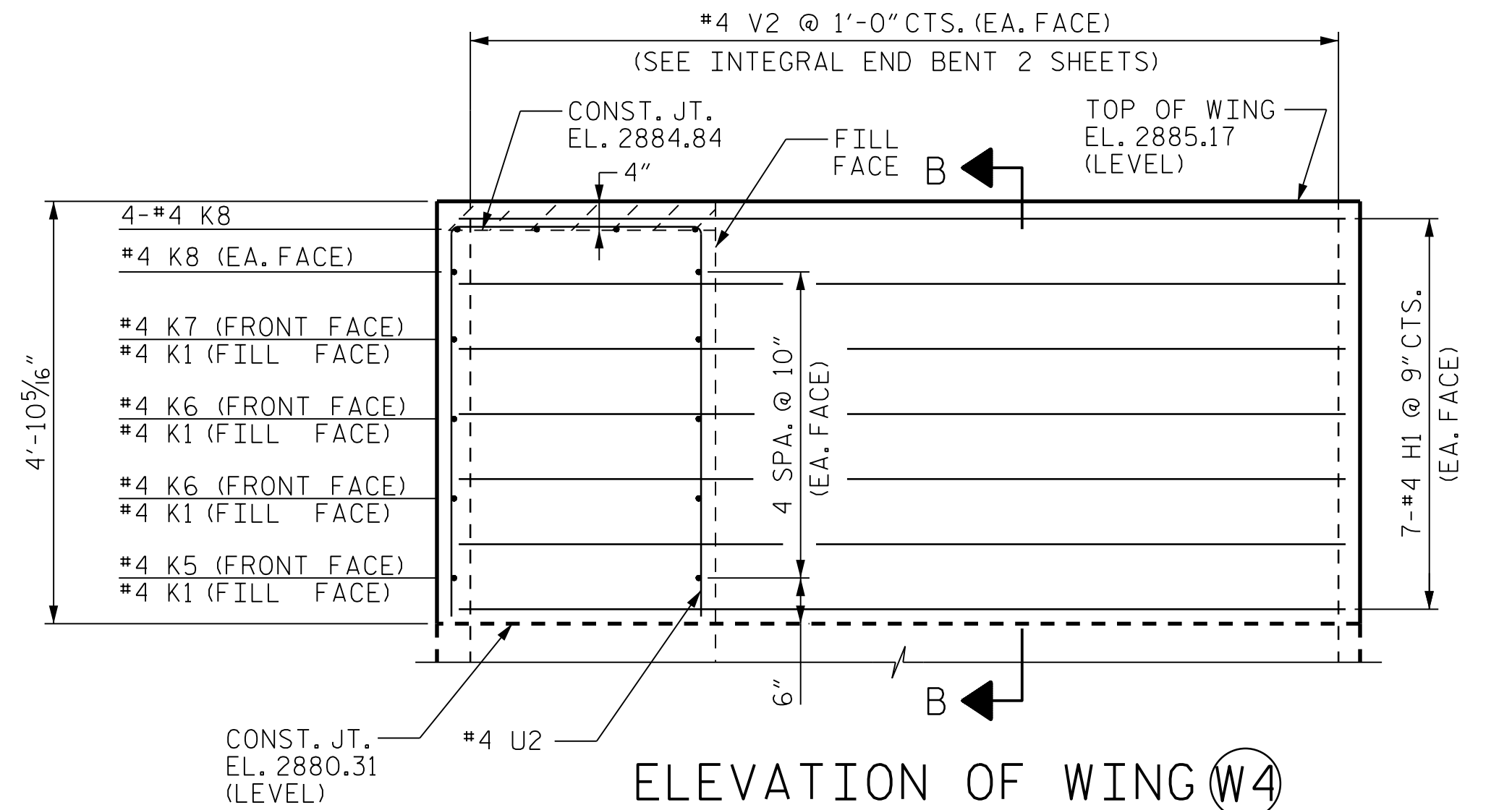
CONST. JT. EL. 2882.99 (LEVEL)



SECTION A-A



SECTION B-B



ELEVATION OF WING (W4)

CONST. JT. EL. 2880.31 (LEVEL)

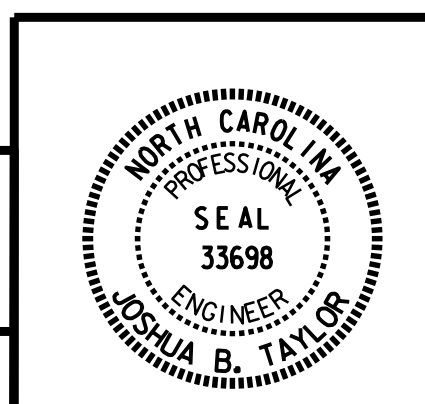
PROJECT NO. R-2915B
 ASHE COUNTY
 STATION: 198+64.50 -L-

SHEET 4 OF 4

STATE OF NORTH CAROLINA
 DEPARTMENT OF TRANSPORTATION
 RALEIGH
 SUPERSTRUCTURE
 PLAN OF SPAN
 DETAILS
 (SBL)

CDM Smith
 CDM SMITH
 5400 Glenwood Avenue, Suite 400
 Raleigh, NC 27612-3228
 NC COA No. F-1255

DRAWN BY: J. SLOAN DATE: 04-14 DWG. No.
 CHECKED BY: J. TAYLOR DATE: 07-14
 DESIGN ENGINEER: J. TAYLOR DATE: 08-14



REVISIONS			SHEET No.		
No.	BY:	DATE:	No.	BY:	DATE:
1			3		
2			4		

TOTAL SHEETS: 34

FILE: R:\med\192915B Structures\PLANS\bridge 1 SBL\2915B_S0_04.dgn
 DATE: 11/2/04 2:57:18 PM