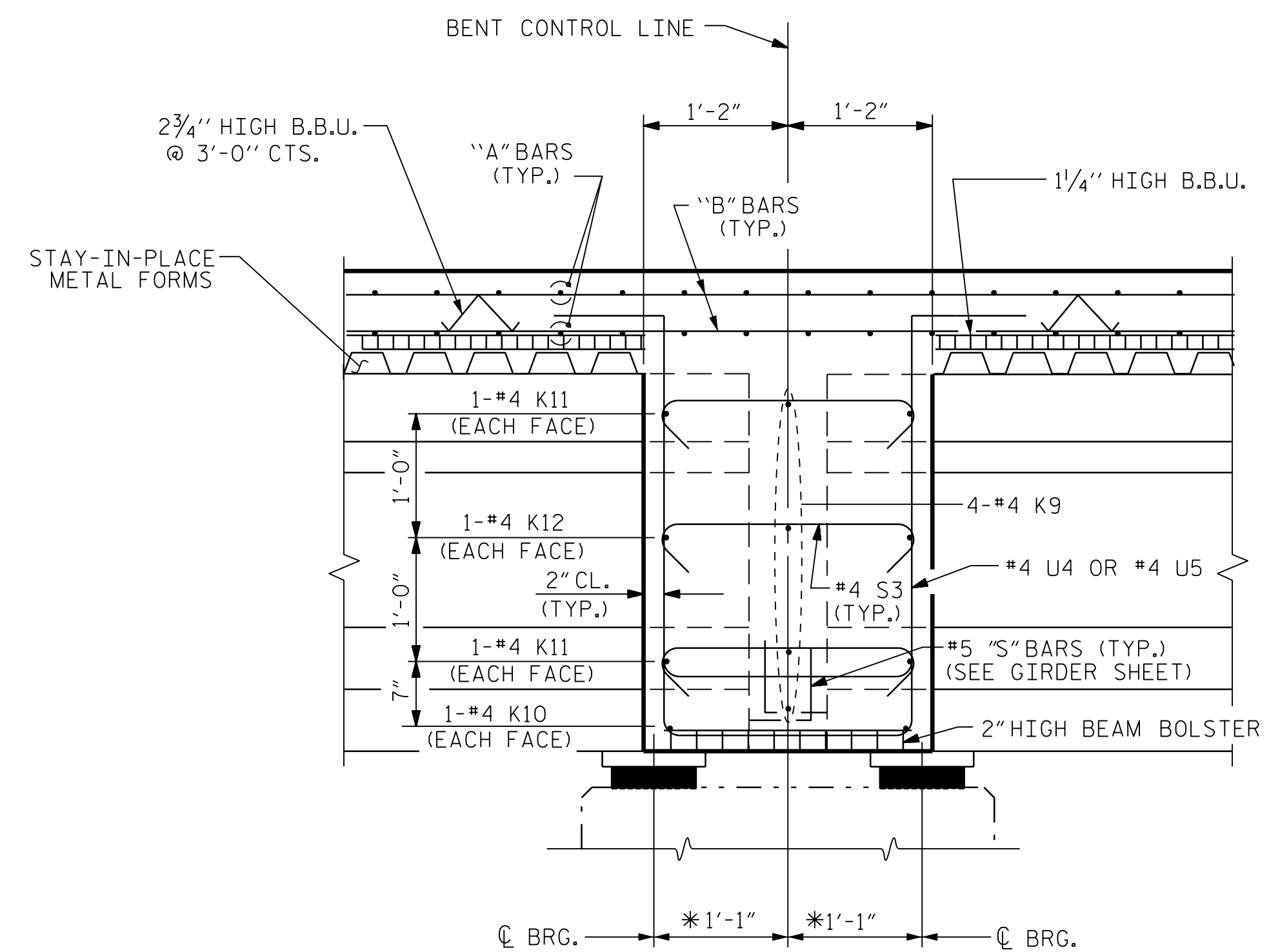
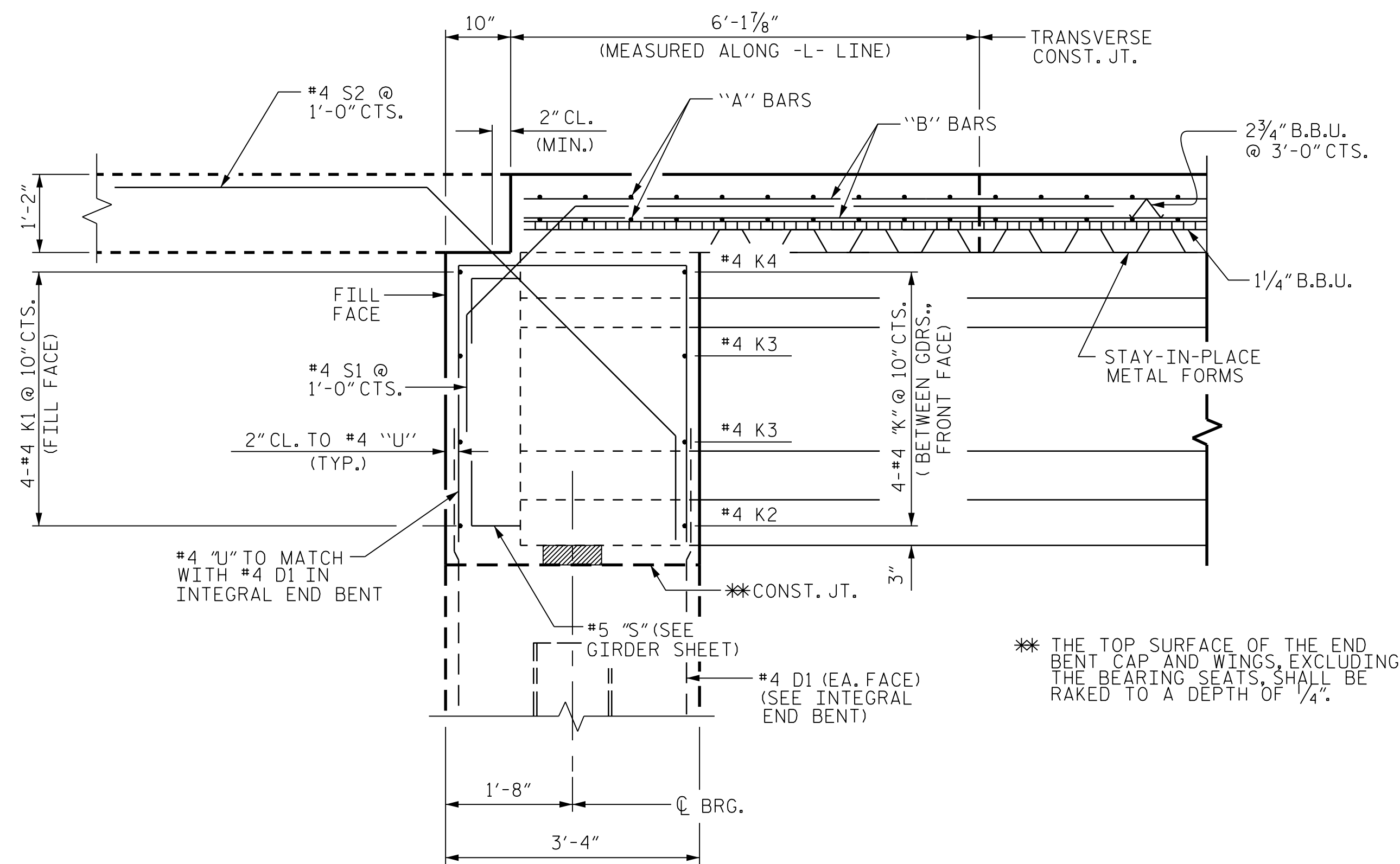


PLAN SECTION
BENT DIAPHRAGM BLOCK-OUT DETAIL
 PRESTRESSED GIRDERS WITH CONTINUOUS DECK SLAB

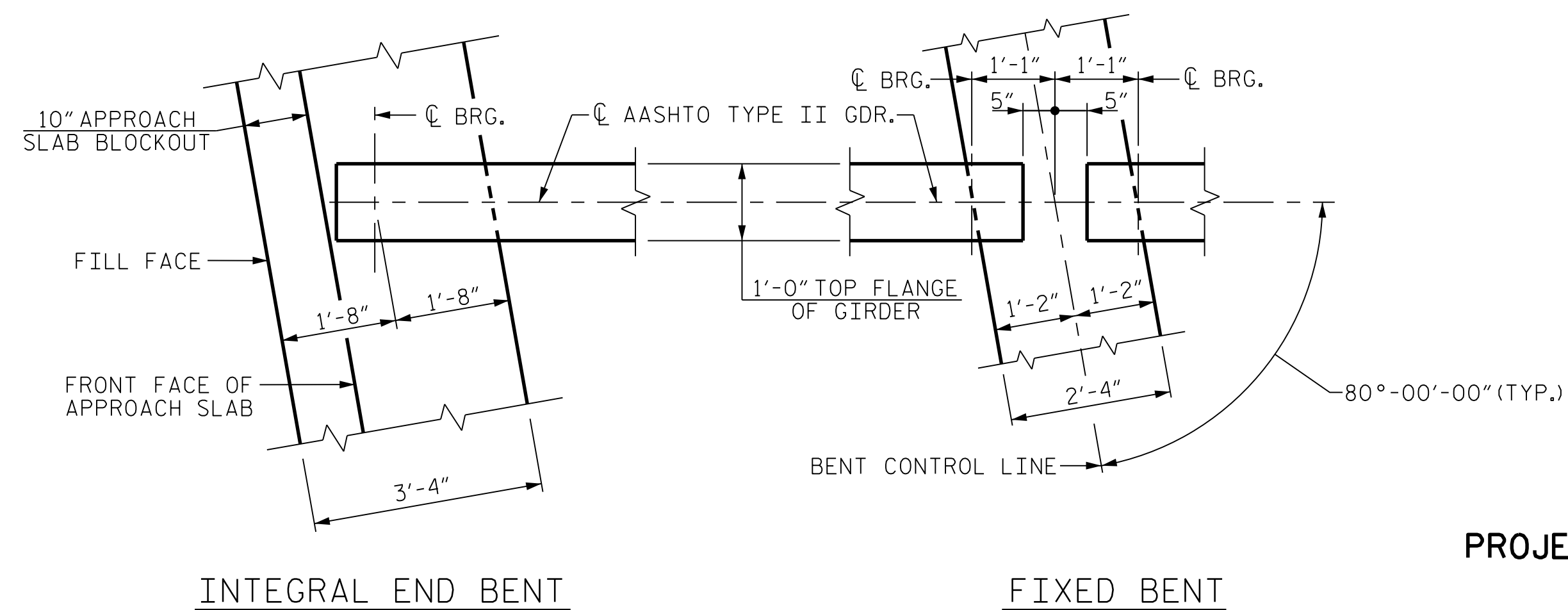


SECTION B-B
 (AT BENTS 1 & 2)
 *MEASURED ALONG GIRDERS



SECTION A-A
 (AT INTEGRAL END BENTS)

* THE TOP SURFACE OF THE END BENT CAP AND WINGS, EXCLUDING THE BEARING SEATS, SHALL BE RAKED TO A DEPTH OF 1/4".



PLAN OF DIAPHRAGMS

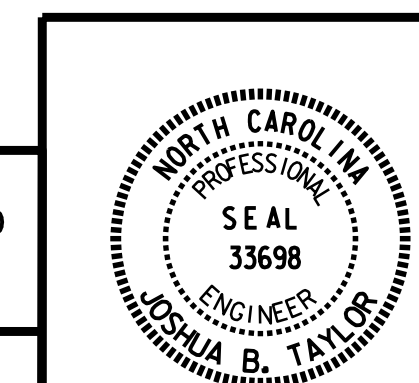
PROJECT NO. R-2915B
 ASHE COUNTY
 STATION: 198+64.50 -L-

SHEET 2 OF 2

STATE OF NORTH CAROLINA
 DEPARTMENT OF TRANSPORTATION
 RALEIGH
 SUPERSTRUCTURE
 TYPICAL SECTION
 DETAILS
 (SBL)

CDM Smith
 CDM SMITH
 5400 Glenwood Avenue, Suite 400
 Raleigh, NC 27612-3228
 NC COA No. F-1255

DRAWN BY : J. SLOAN DATE : 04-14 DWG. No.
 CHECKED BY : J. TAYLOR DATE : 07-14
 DESIGN ENGINEER : J. TAYLOR DATE : 08-14



REVISIONS		SHEET No.			
No.	BY:	DATE:	No.	BY:	DATE:
1			3		
2			4		

TOTAL SHEETS: 34