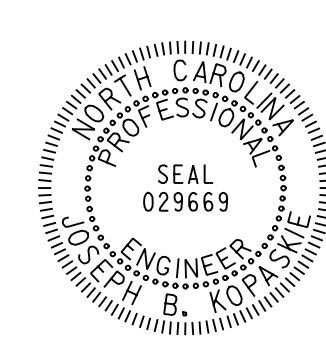
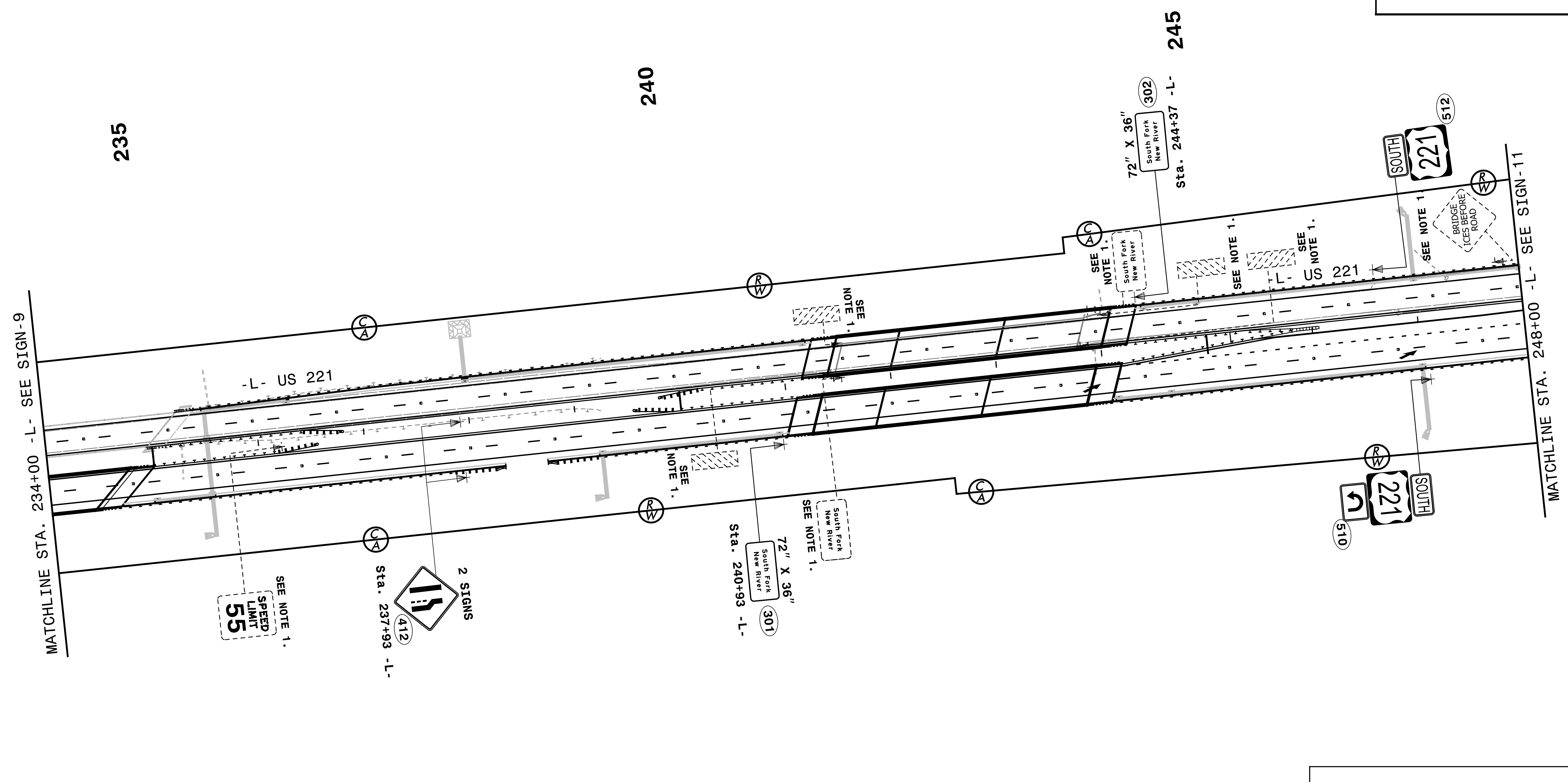


TIP NO. R-2915B	SHEET NO. SIGN-10
APPROVED: <i>Joseph Kopaskie</i> <small>0C0EAEF80A54FA...</small>	
DATE: 5/27/2015	
SEAL 	

NAD 83 / CORS



**NOTES**

- DISPOSAL OF SIGN SYSTEM, U-CHANNEL

**SEPI**  
ENGINEERING & CONSTRUCTION

1025 Wade Avenue  
Raleigh, NC 27605  
Tel: 919-789-9977  
Fax: 919-789-9591  
License: C-2197

**EXISTING & PROPOSED  
SIGN DETAIL**