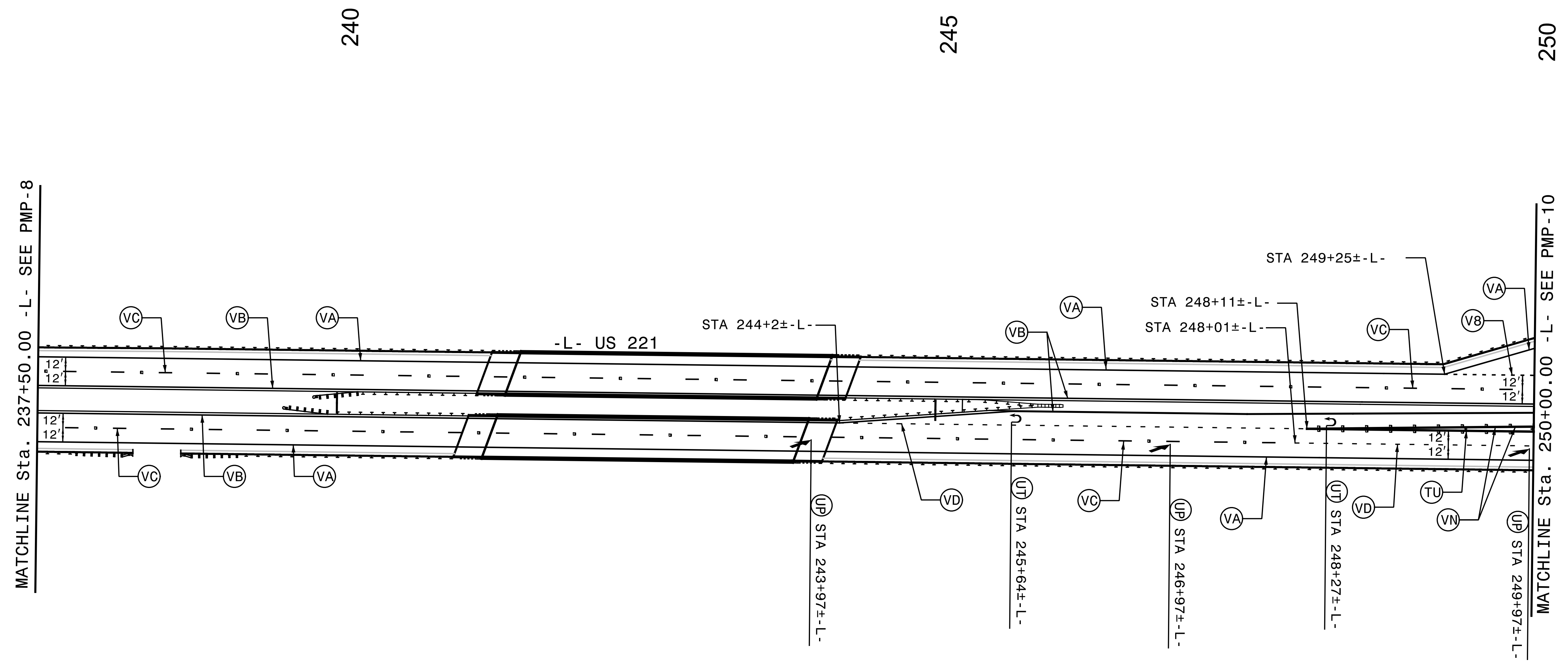
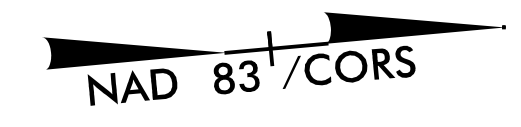


TIP NO. R-2915B	SHEET NO. PMP-9
APPROVED: <i>Joseph Kopaschke</i> <small>SCDMEAEF80AS4FA</small>	
DATE: 5/27/2015	
SEAL	



5/13/2015
 C:\transportation\TR13.017.00 NCDOT 2012 Traffic LSA\TR13.017.07 (R-2915B) Signing & PMP\Pavement Marking\PM-9.dgn
 miles

PAVEMENT MARKING DETAIL