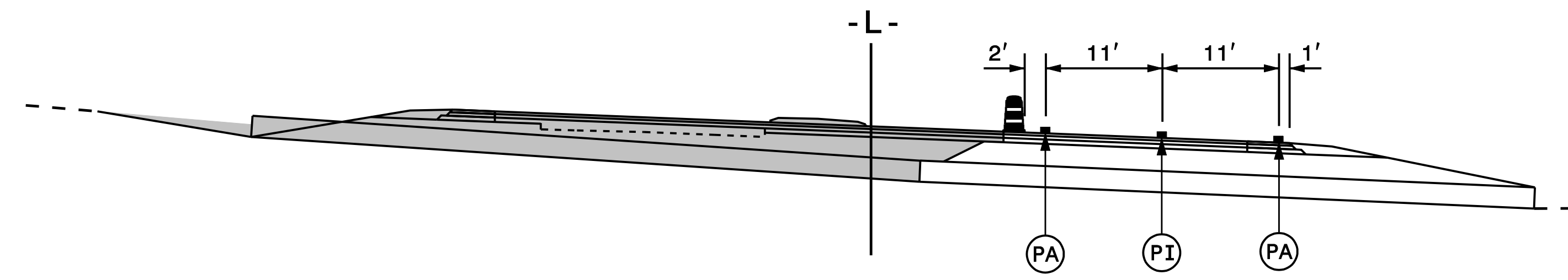


INSTALL TEMPORARY TAPE
PAVEMENT MARKINGS (CA) AND (CI)
ON ALL BRIDGE DECKS

STA. 204+00+/- -L-
BEGIN 3' TEMPORARY PAVEMENT MARKINGS
TRANSITION TO THE -L- OUTSIDE SHOULDER.
NORTHBOUND -L- WILL GO FROM A 4' PAVED
SHOULDER AT STA. 204+00+/- -L- TO A
1' PAVED SHOULDER AT STA. 206+00+/- -L-.

STA. 206+00+/- -L-
END 3' TEMPORARY PAVEMENT MARKING TRANSITION



SECTION K-K
209+25 -L-

<p>PLAN PREPARED IN THE OFFICE OF: PROGRESSIVE DESIGN GROUP, INC. ENGINEERS • CONSULTANTS</p>	<p>APPROVED: <i>Tommy</i> DATE: 5/7/2015 SEAL </p>		<p>TRANSPORTATION MANAGEMENT PLAN PHASE II DETAILS</p>
--	--	--	--