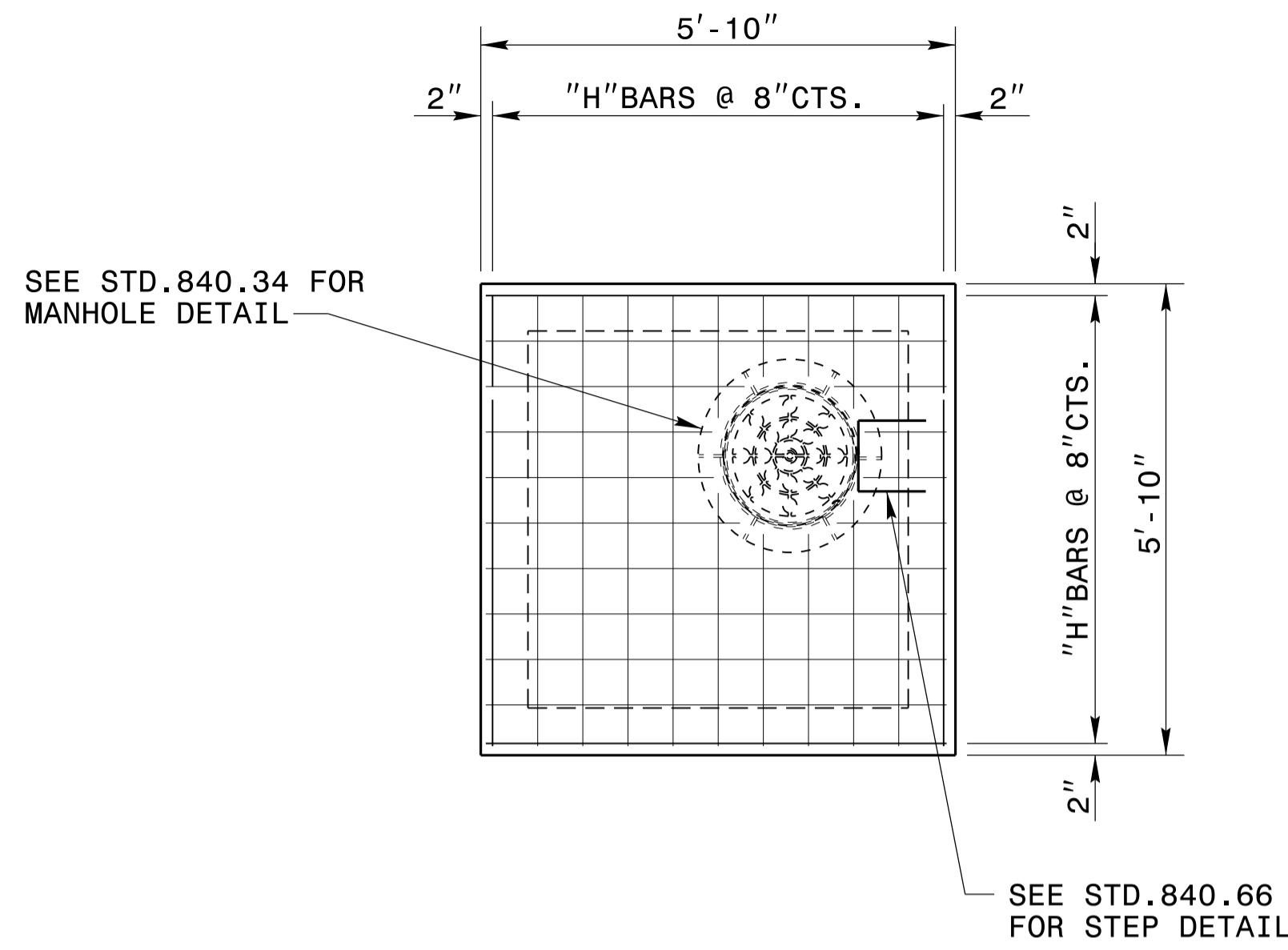
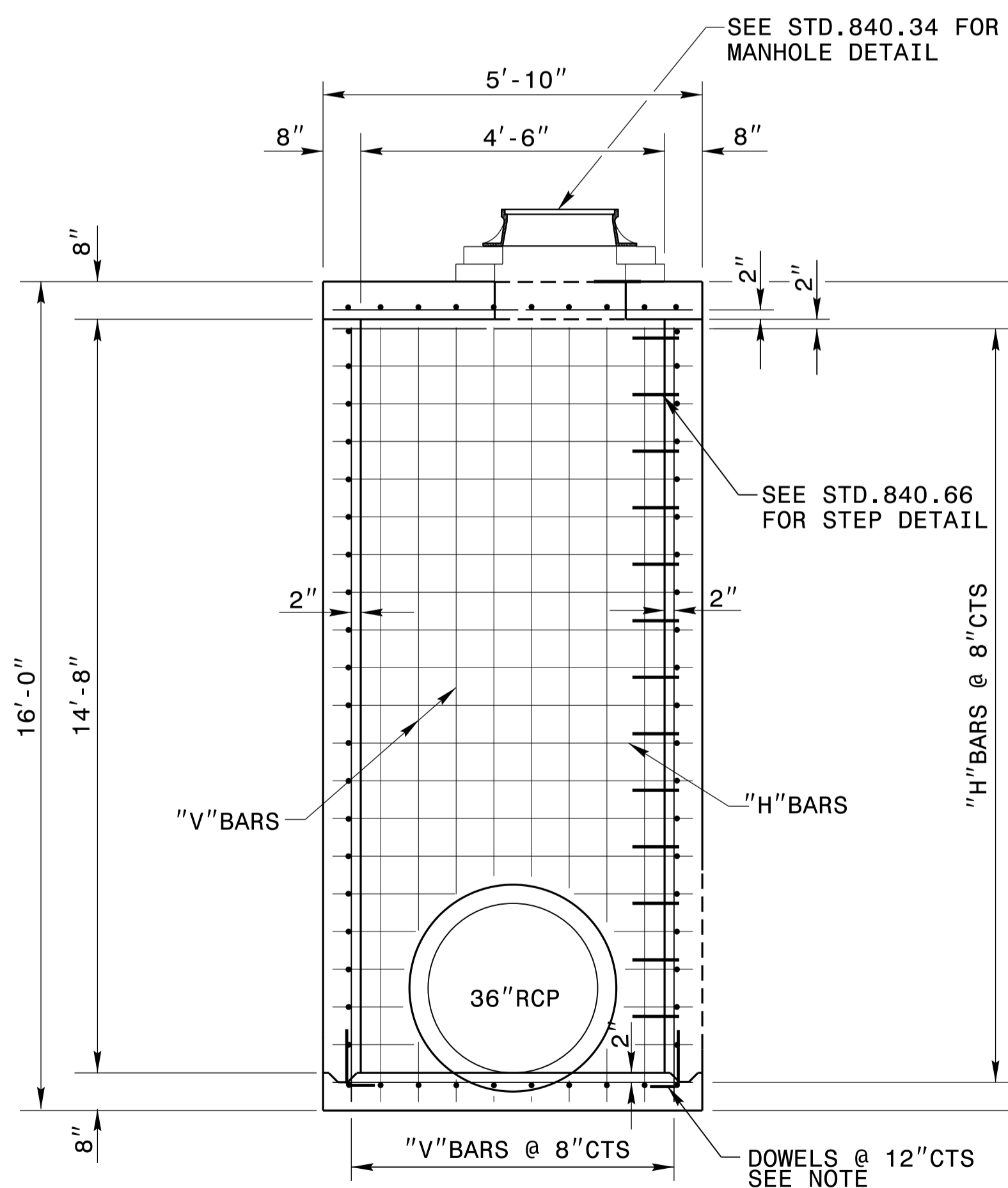


PLAN VIEW

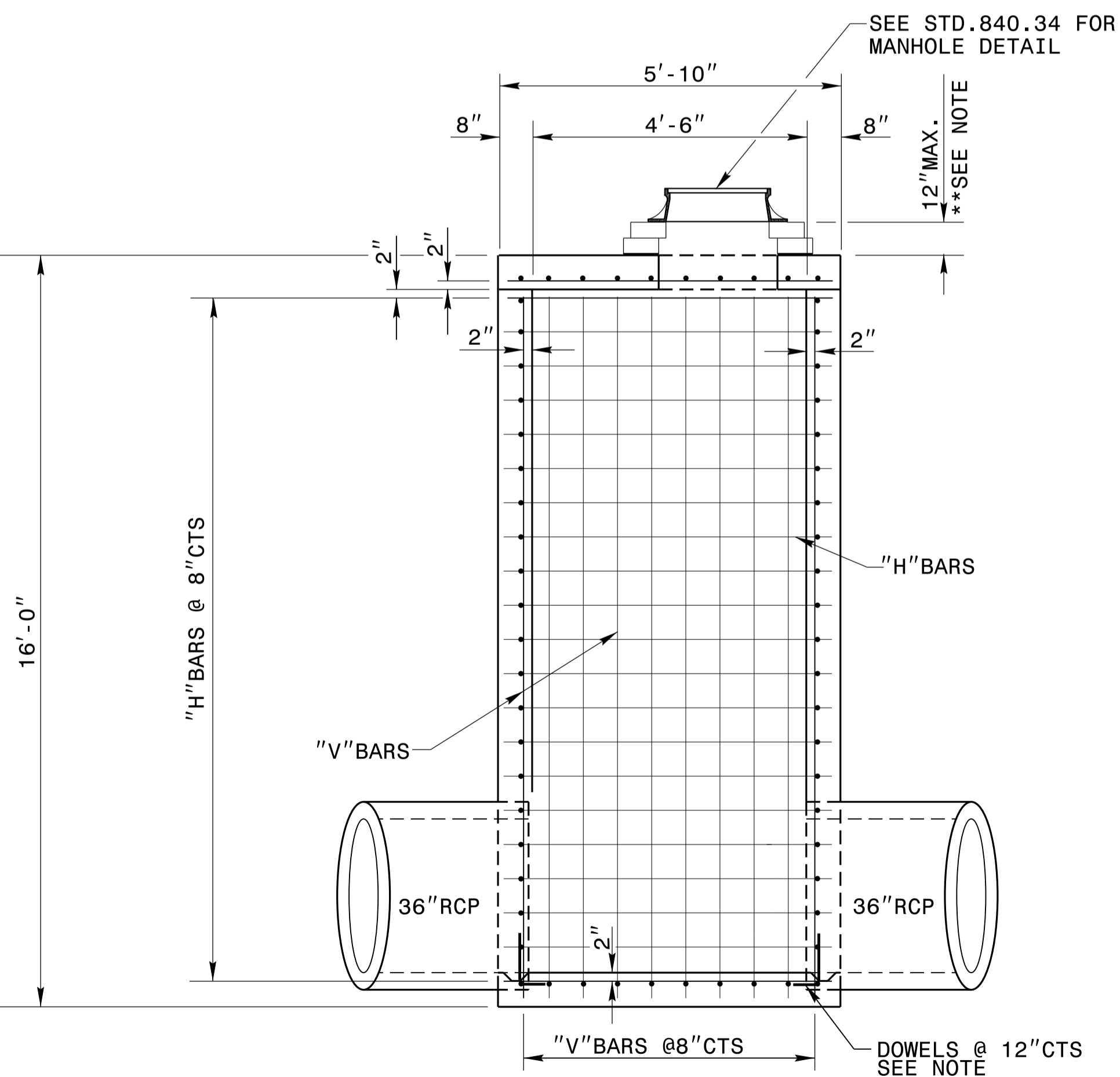


SLABS

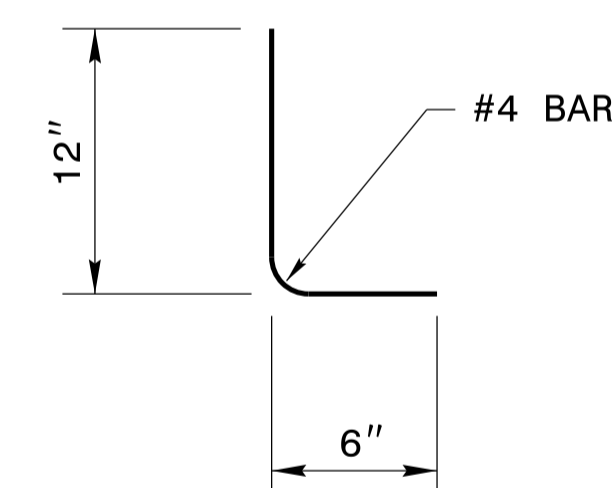
- GENERAL NOTES:**
- THE BASE SLAB TO BE CONSTRUCTED BY FORMING.
 - SEE STD. DWG. 840.00 FOR CONSTRUCTION OF BASE SLAB
 - CLASS 'B' CONCRETE TO BE USED THROUGHOUT.
 - CONSTRUCTION OPTIONS: MONOLITHIC POUR; 2" KEYWAY OR #4 BAR DOWELS AT 12" CENTERS AS DIRECTED BY THE ENGINEER.
 - REINFORCING STEEL TO BE CUT, BENT OR RELOCATED TO POSITION PIPE AS DIRECTED BY THE ENGINEER.
 - ALL EXPOSED CORNERS TO BE CHAMFERED 1".
 - SEE STD. DRAWING 840.34 FOR CONSTRUCTION OF RISER AND MANHOLE.
 - JUNCTION BOXES OVER 3'-6" IN DEPTH WITH MANHOLES WILL REQUIRE STEPS TO BE PLACED ON 12" CTRS. REFERENCE STD. NO. 840.66.
 - MAINTAIN 2" MINIMUM CONCRETE COVERAGE ON ALL STEEL.
 - DIMENSIONS MAY BE ADJUSTED AS DIRECTED BY THE ENGINEER.



SECTION X-X



SECTION Y-Y



DOWEL

BILL OF MATERIAL					
REINFORCING STEEL					
BAR	NO.	LENGTH	LBS/FT.	QTY.	LBS
H	#4	5'-6"	0.668	132	485
V	#4	15'-8"	0.668	32	335
TOTAL WEIGHT STEEL					820
MASONRY QUANTITIES					
CLASS "B" CONCRETE (CU.YDS.)					9.2
PIPE DEDUCTIONS (CU.YDS.)					
2-36" CMP					-0.52
TOTAL CLASS "B" CONCRETE (CU.YDS.)					8.7

** 0.30 CU.YD. PER FOOT OF RISER HEIGHT.

7/14/2015



DocuSigned by:
Joel Howerton
873F3D17DCC45F

STRUCTURE NO.0619

CONTRACT STANDARDS & DEVELOPMENT UNIT
STANDARDS AND SPECIAL DESIGN
Office 919-707-6950 FAX 919-250-4119

**SPECIAL EXTRA DEPTH
36" JUNCTION BOX**

ORIGINAL BY: _____ DATE: _____
MODIFIED BY: kakempf DATE: 04-27-15
CHECKED BY: _____ DATE: _____
FILE SPEC.: details/kkempf/english/R2915B extra depth 36jb.dgn