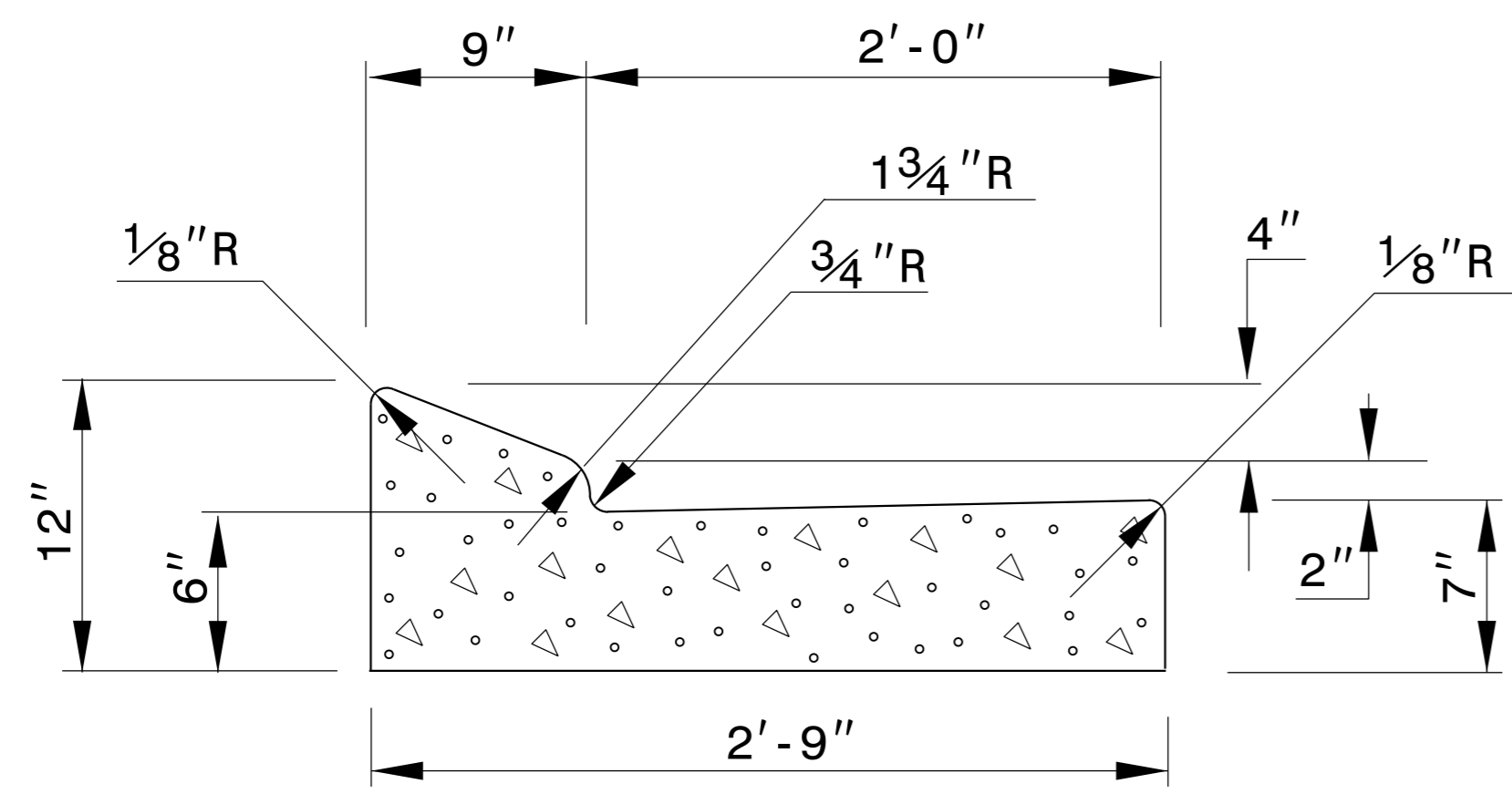
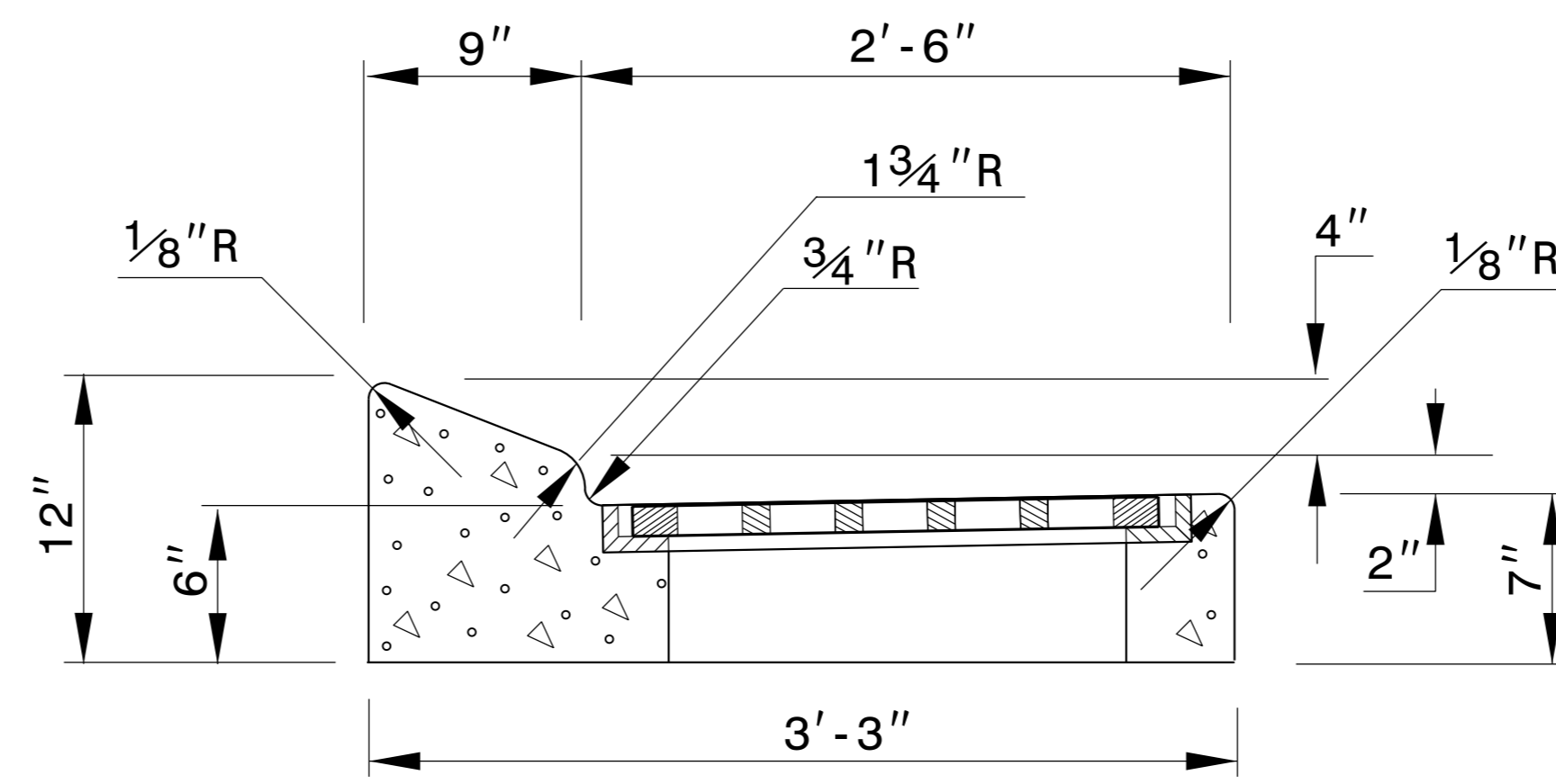


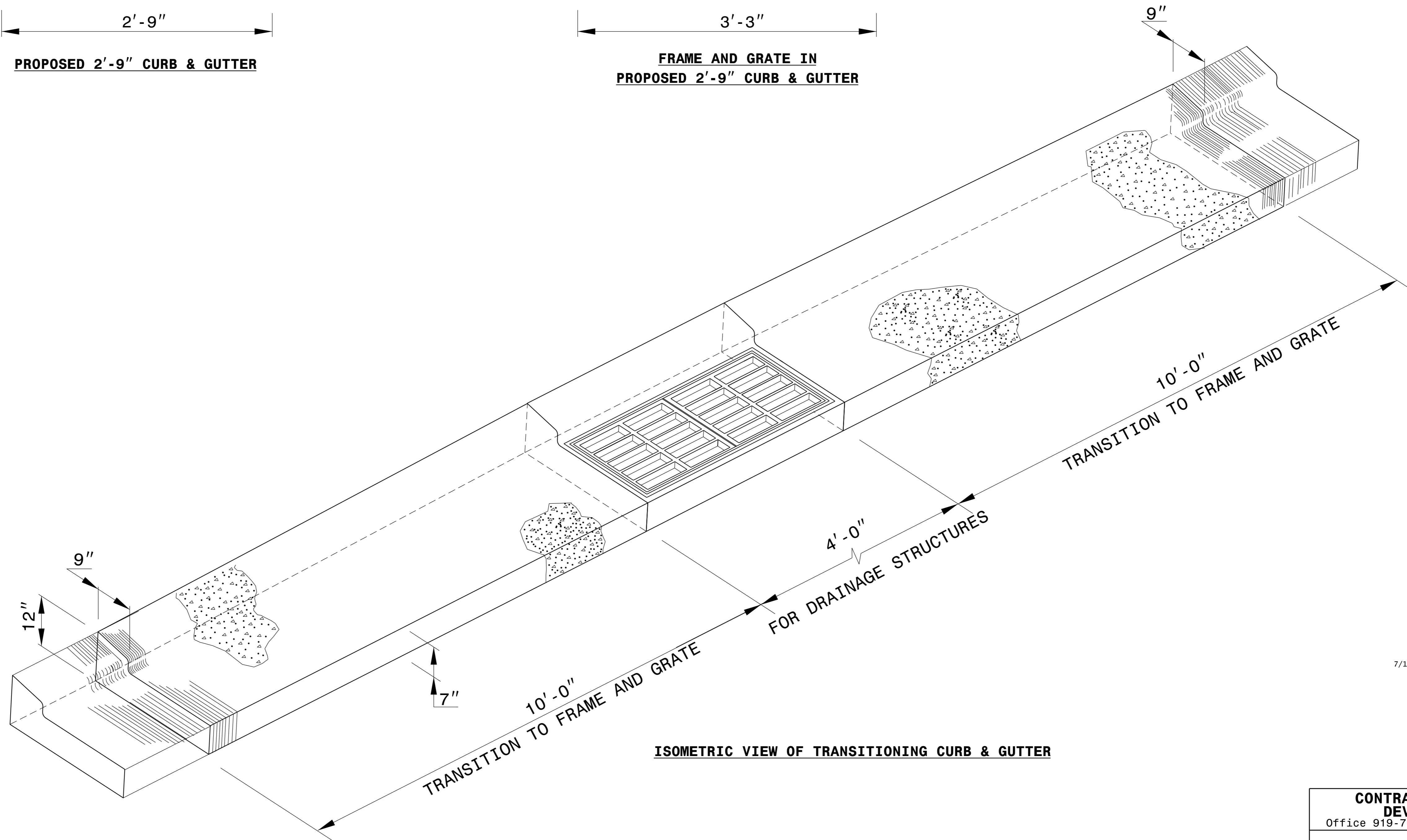
5/14/99



PROPOSED 2'-9" CURB & GUTTER



FRAME AND GRATE IN PROPOSED 2'-9" CURB & GUTTER



ISOMETRIC VIEW OF TRANSITIONING CURB & GUTTER

7/14/2015



DocuSigned by:
Joel Howerton
873F3D17DC0C4F...

CONTRACT STANDARDS AND DEVELOPMENT UNIT
Office 919-707-6950 FAX 919-250-4119

DETAIL OF 2'-9" TO FRAME AND GRATE

ORIGINAL BY: _____ DATE: _____
 MODIFIED BY: _____ DATE: _____
 CHECKED BY: _____ DATE: _____
 FILE SPEC.: kkempf/english/curb_gutter_transition.dgn