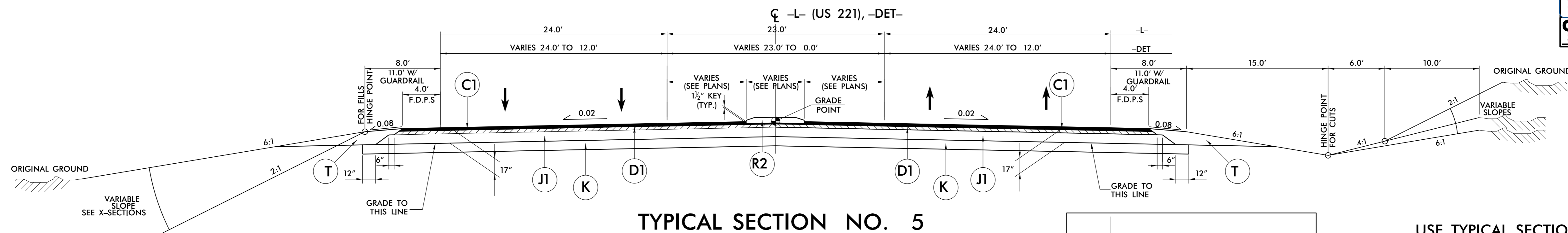
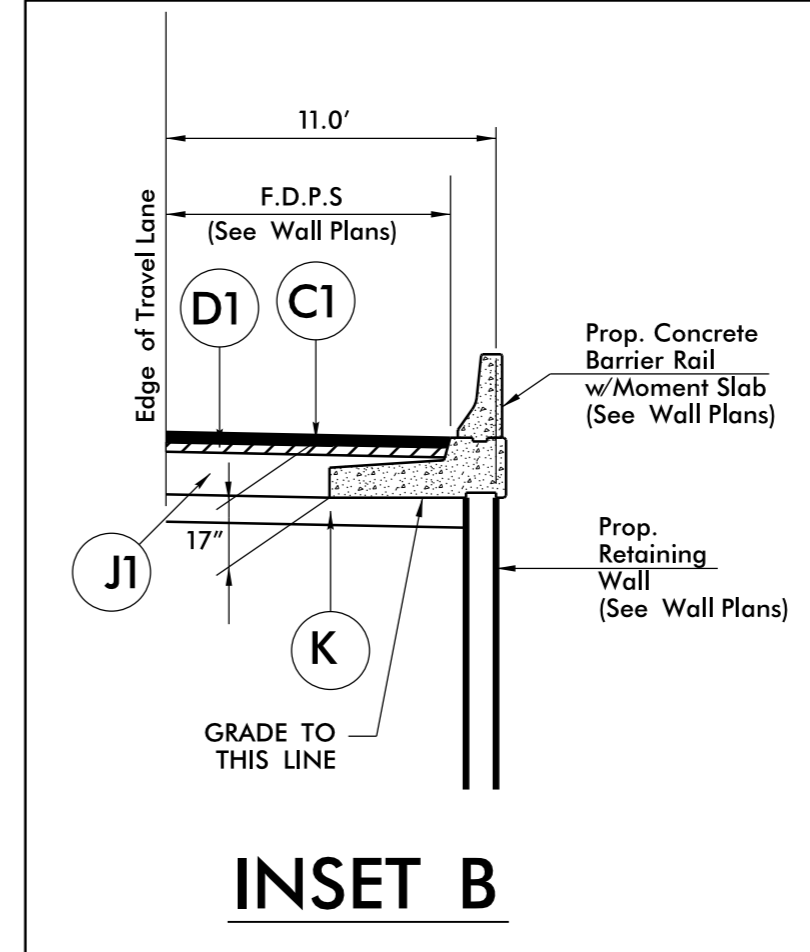


PROJECT REFERENCE NO. R-2915B	SHEET NO. 2A-3
ROADWAY DESIGN ENGINEER SEAL 14160 Douglas B. SALINGER, PE	PAVEMENT DESIGN ENGINEER SEAL 031484 Vladimir G. MITCHELL, PE
CDM Smith Cindy Dresser & Associates 5400 Glenwood Avenue Suite 300 Raleigh, NC 27612-3228 NC CSA No. F-2412	NC DEPARTMENT OF TRANSPORTATION PAVEMENT MANAGEMENT UNIT 1503 MAIL SERVICE CENTER RALEIGH, NC 27699-1623

6/2/09



TYPICAL SECTION NO. 5



USE TYPICAL SECTION NO. 5

-L- STA. 190+70.00 TO STA. 195+85.57
 -L- STA. 218+30.00 TO STA. 220+56.86
 -L- STA. 245+22.48 TO STA. 251+72.02
 -DET- STA. 251+72.02 TO STA. 252+00.00

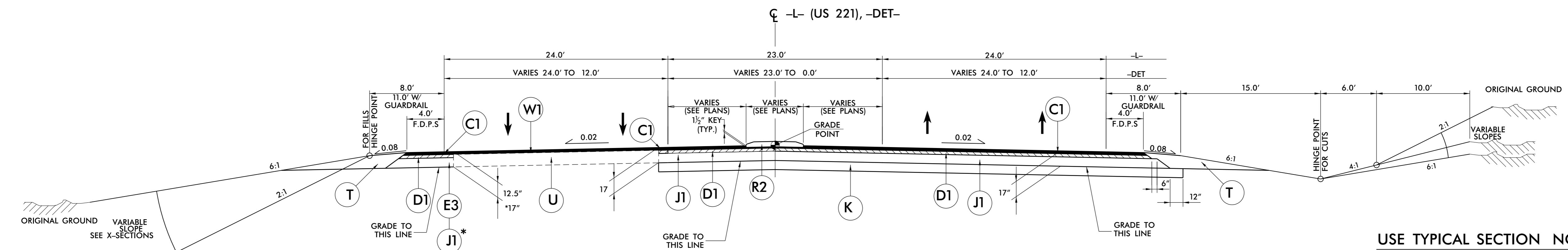
NOTE: SEE INSET A FOR GEOTEXTILE FOR PAVEMENT STABILIZATION DETAIL

USE INSET B WITH TYPICAL SECTION NO. 5

-L- STA. 219+22.00 TO STA. 220+56.86

PAVEMENT SCHEDULE	
(C1)	3" S9.5B
(C2)	VAR. S9.5B
(C3)	2.5" SF9.5A
(C4)	VAR. SF9.5A
(C5)	1.5" S9.5B
(C6)	1.25" SF9.5A
(D1)	4" I19.0B
(D2)	VAR. I19.0B
(E1)	4" B25.0B
(E2)	5" B25.0B
(E3)	5.5" B25.0B
(E4)	VAR. B25.0B
(J1)	10" ABC
(J2)	VAR. ABC
(J3)	8" ABC
(K)	STABILIZED SUB-GRADE
(N)	GEOTEXTILE FOR PAVEMENT STABILIZATION
(P)	PRIME COAT
(R1)	2'-9" C&G
(R2)	5" MONO. CONC. ISLAND
(T)	EARTH MATERIAL
(U)	EXISTING PAVEMENT
(W1)	WEDGING SEE SHEET 2A-1
(W2)	WEDGING SEE SHEET 2A-1

REVISIONS



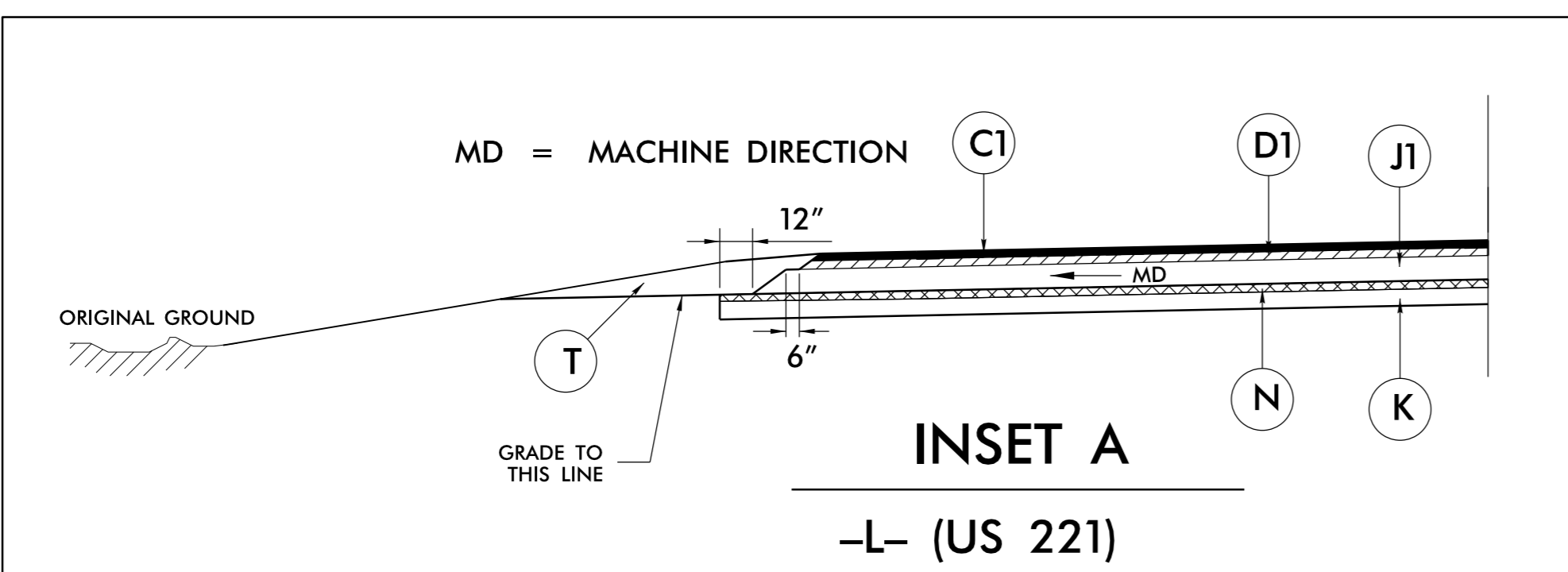
TYPICAL SECTION NO. 6

USE TYPICAL SECTION NO. 6

-L- STA. 179+72.00 TO STA. 184+20.00
 -L- STA. 186+28.80 TO STA. 186+33.90
 -L- STA. 189+36.80 TO STA. 190+70.00
 -L- STA. 210+30.00 TO STA. 211+60.00
 -L- STA. 213+86.56 TO STA. 218+30.00
 -DET- STA. 252+00.00 TO STA. 257+50.00
 -DET- STA. 258+60.00 TO STA. 259+00.00

* -L- STA. 184+20.00 TO STA. 186+28.80
 * -L- STA. 207+61.50 TO STA. 210+30.00
 * -L- STA. 211+60.00 TO STA. 213+86.56
 * -DET- STA. 257+50.00 TO STA. 258+60.00

NOTE: SEE INSET A FOR GEOTEXTILE FOR PAVEMENT STABILIZATION DETAIL



USE GEOTEXTILE FOR PAVEMENT STABILIZATION DETAIL WITH GRADED SHOULDER SECTION (INSET A) AS FOLLOWS: (THESE LOCATIONS TO BE INVESTIGATED DURING CONSTRUCTION)

- L- STA. 185+00.00 TO STA. 186+25.00 LT
- L- STA. 244+00.00 TO STA. 249+50.00 RT
- L- STA. 249+50.00 TO STA. 251+50.00 CL

6/26/2015 10:05:51 AM
 JTS:REV:CLT:MAN:R:FDY: TYP: 2A-3.DGN