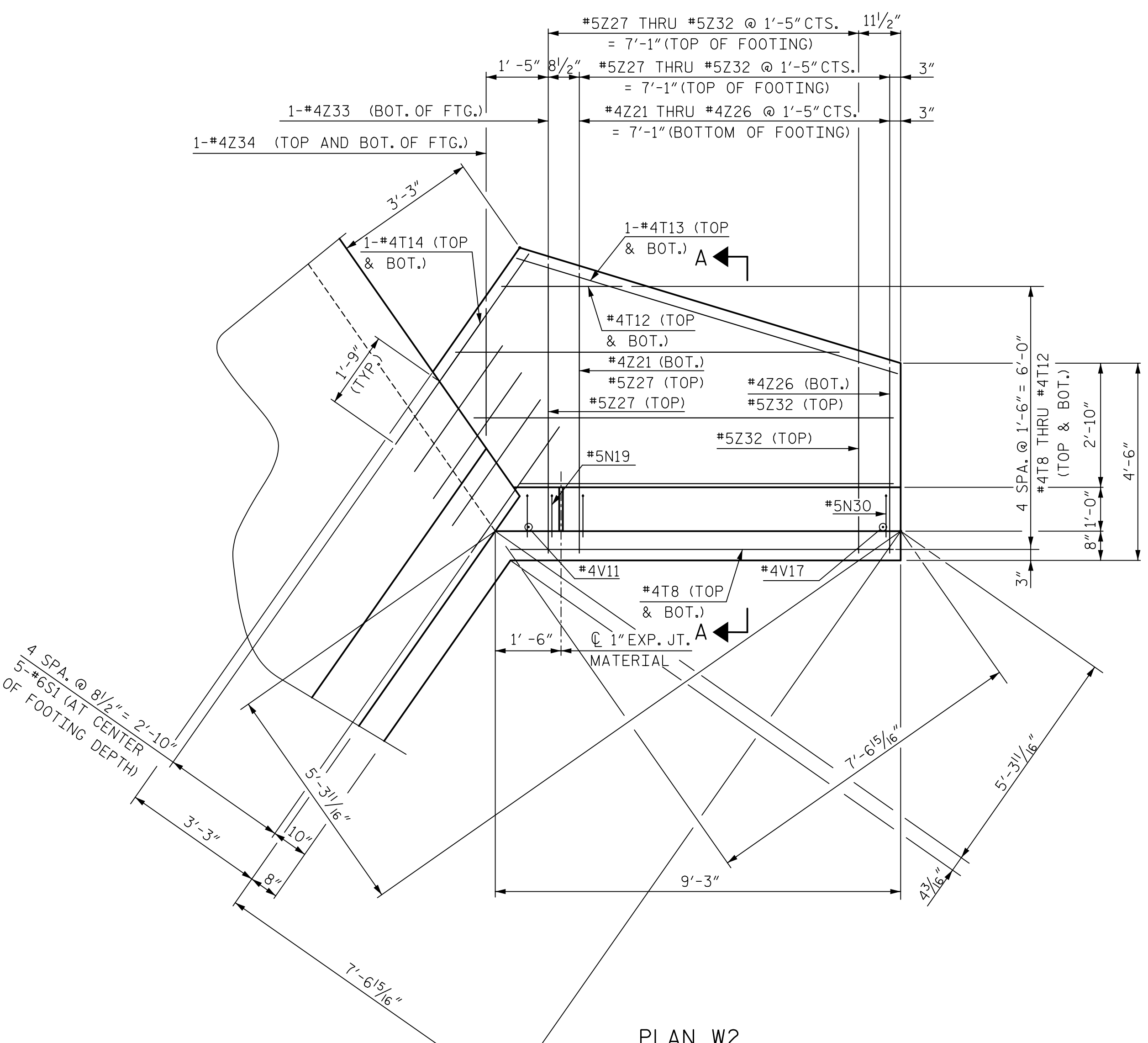
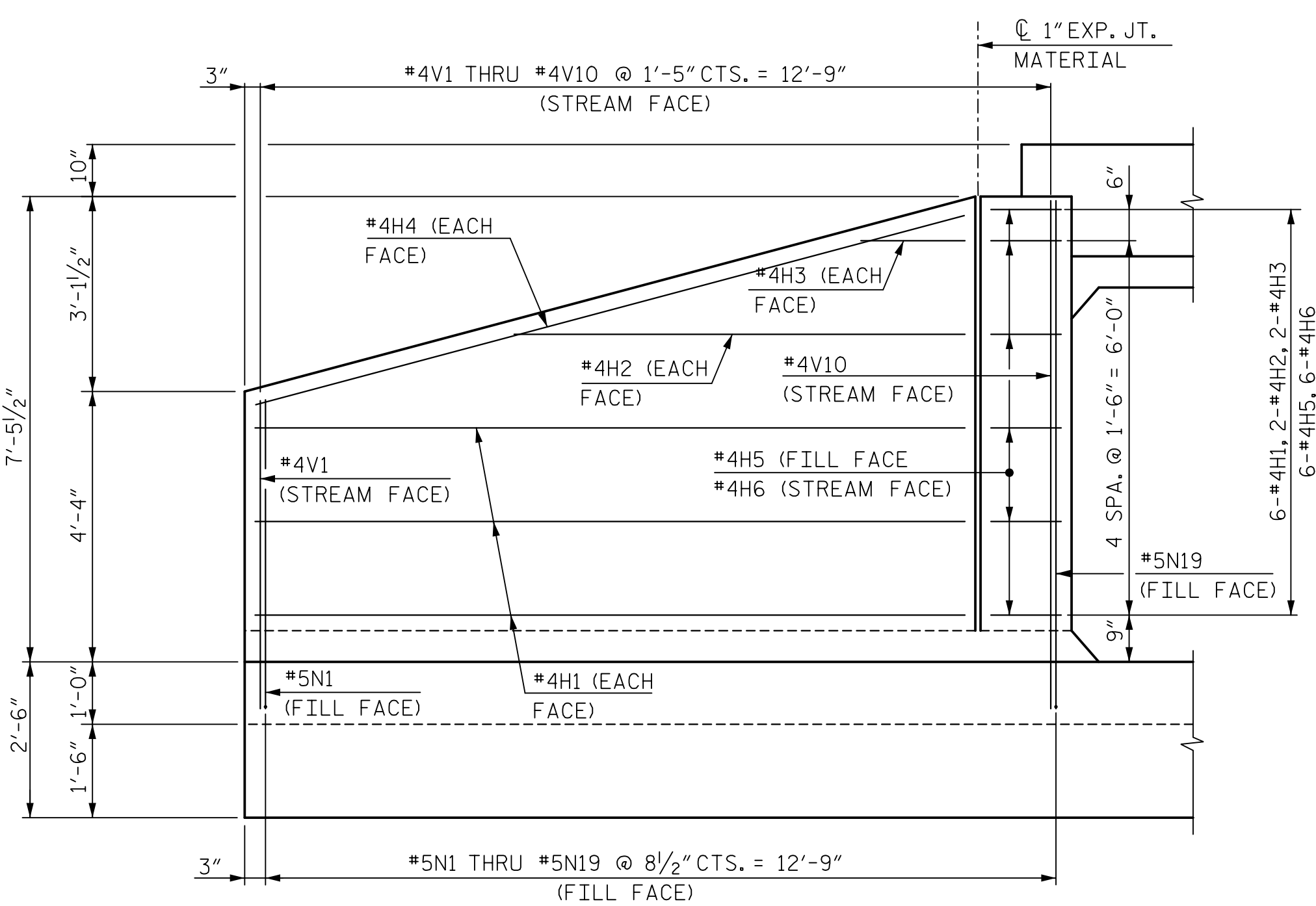


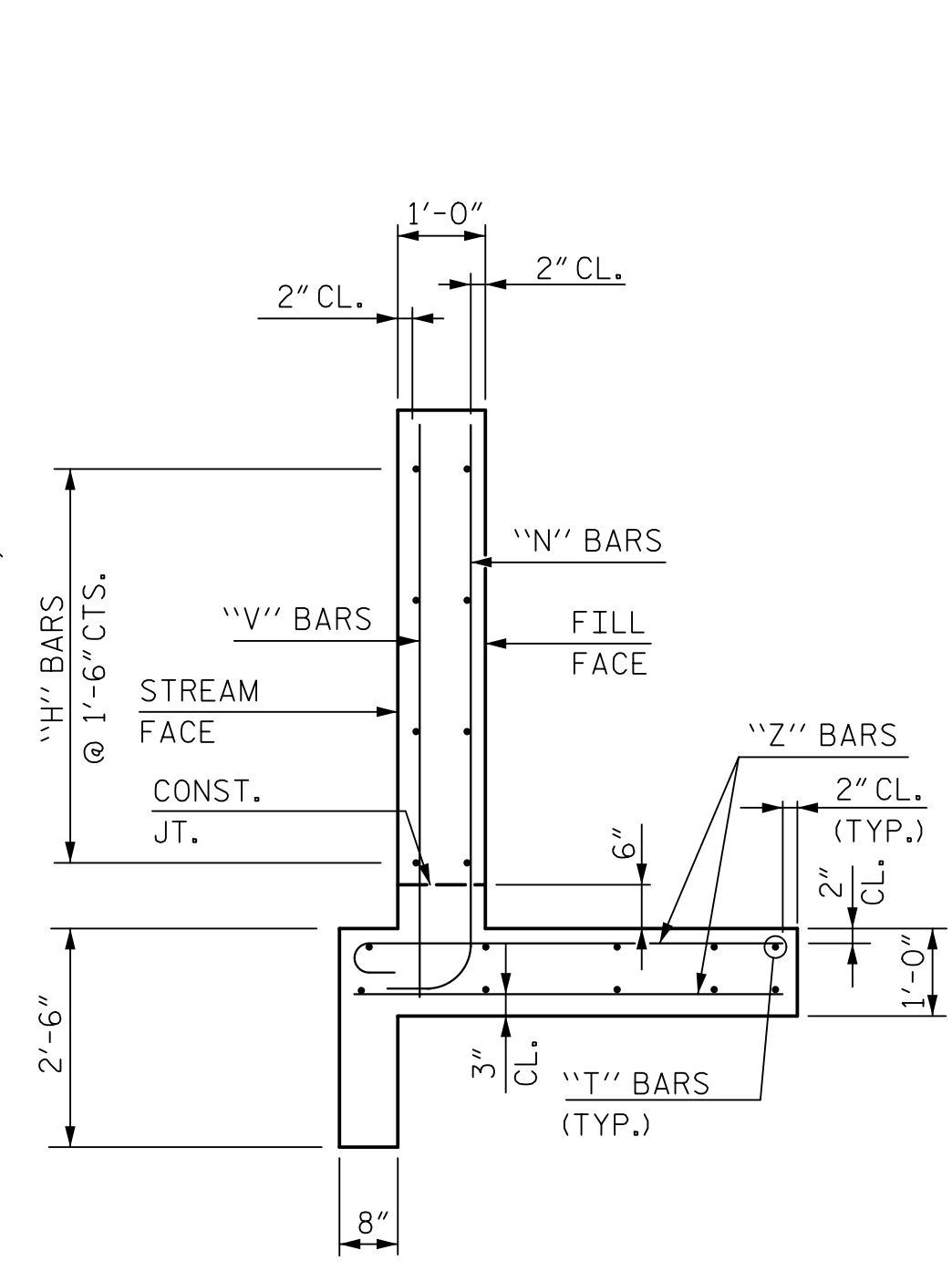
PLAN W1



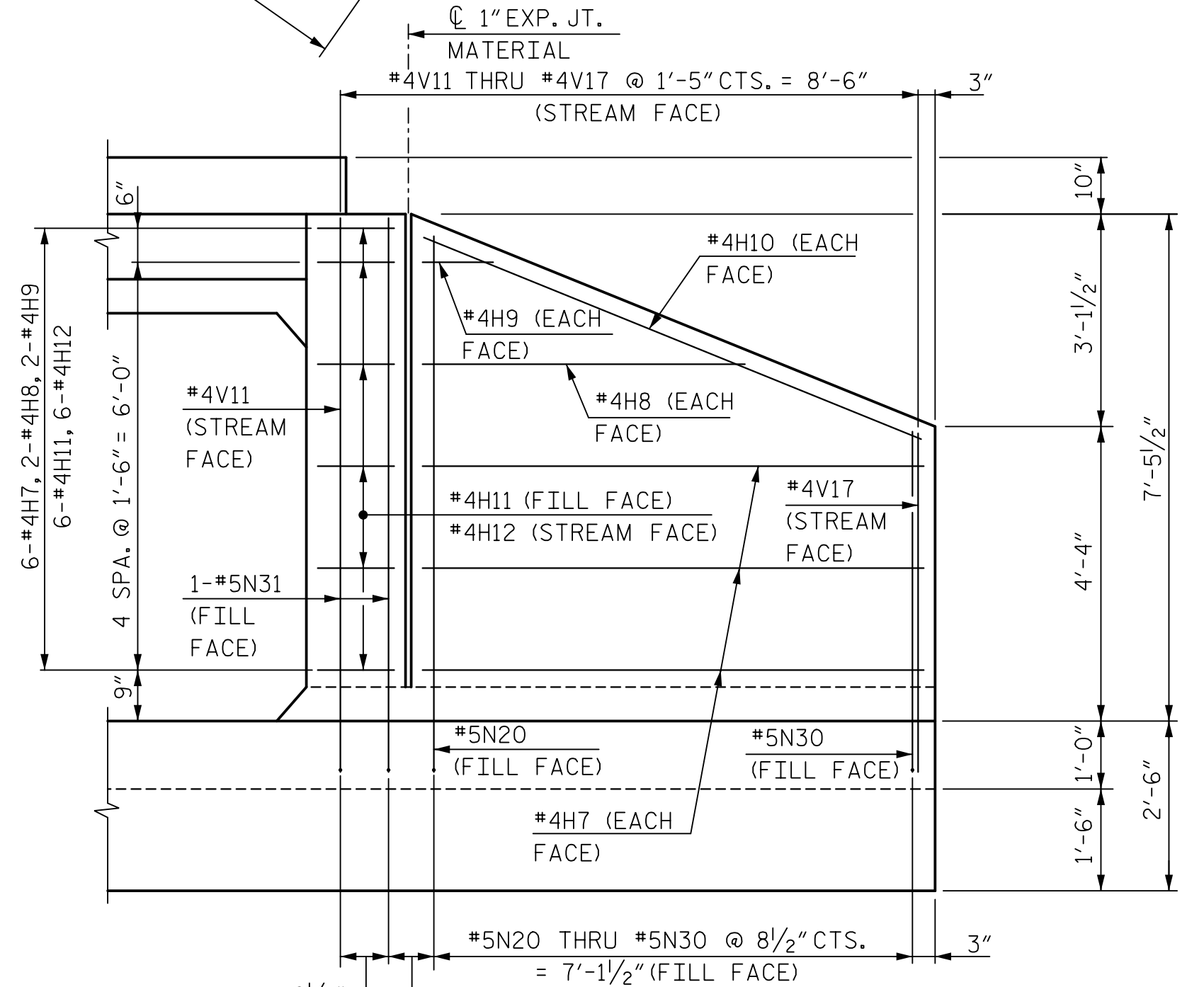
PLAN W2



ELEVATION W1

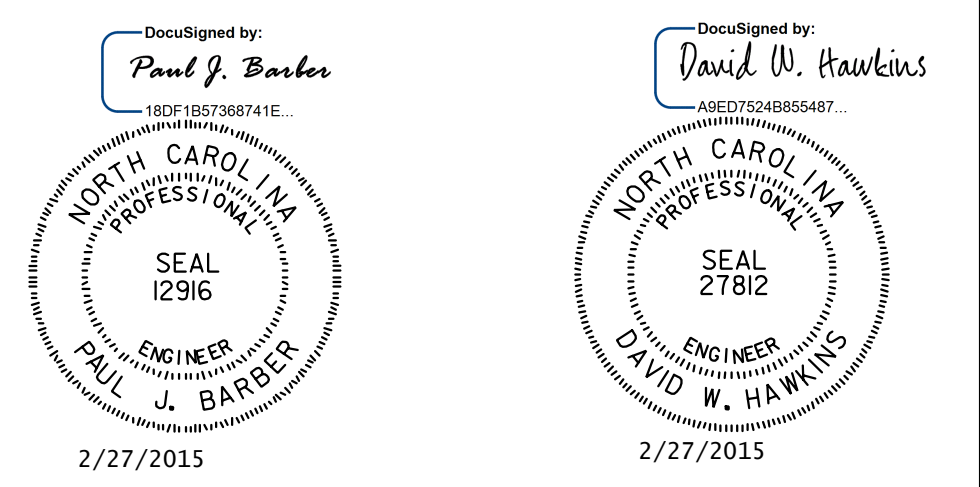


SECTION A-A



ELEVATION W2

NOTE: FOR WEEP HOLES, SEE SHEET 3 OF 6.



PROJECT NO. P-4900A  
ROBESON COUNTY  
 STATION: POC 55+31.95 -L-  
 MILE POST: 0.86  
 SHEET 5 OF 6

STATE OF NORTH CAROLINA  
 DEPARTMENT OF TRANSPORTATION  
 RALEIGH  
**WING DETAILS**  
 DOUBLE 7' X 6'  
 CONCRETE BOX CULVERT  
 AT POC STA. 55+31.95 -L-

<b>HNTB</b>		HNTB NORTH CAROLINA, P.C. License No. C-1554 343 E. Six Forks Rd., Suite 200, Raleigh, N.C. 27609		REVISIONS		SHEET NO.	
DRAWN BY	J. BAYNE	DATE	7/14	NO.	3	BY:	
CHECKED BY	P. BARBER	DATE	9/14	NO.	4	DATE:	
DWG. NO. 5						C-5	
						TOTAL SHEETS	
						6	