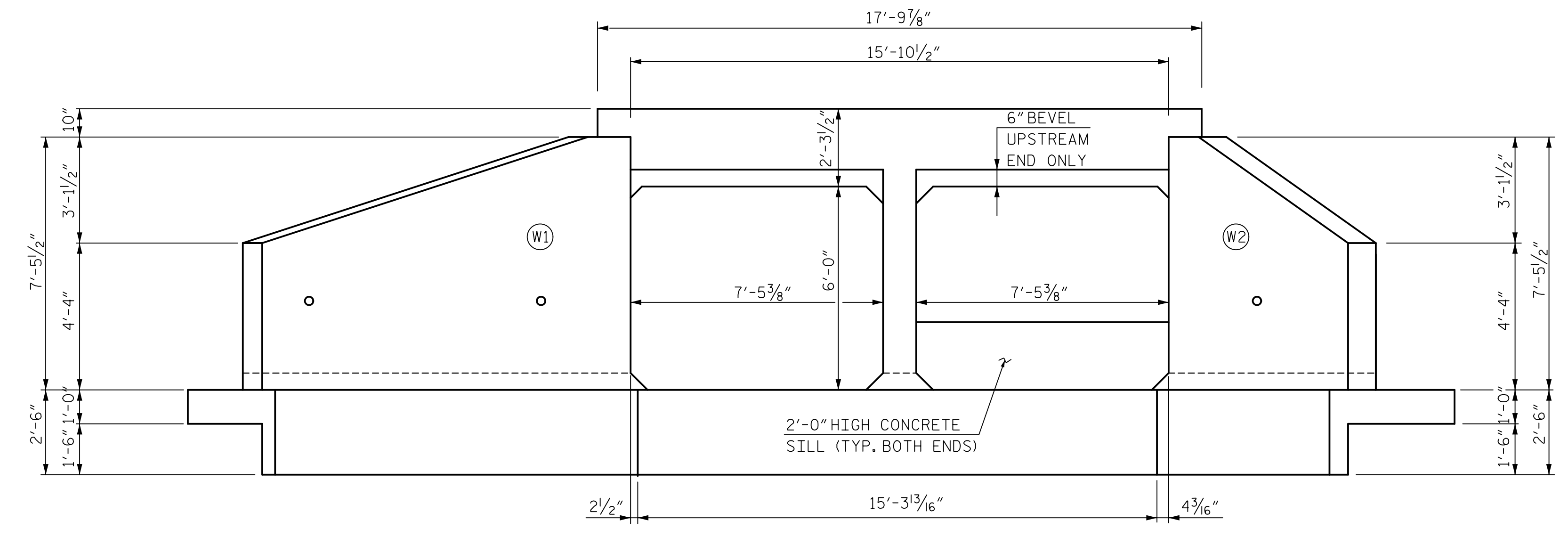
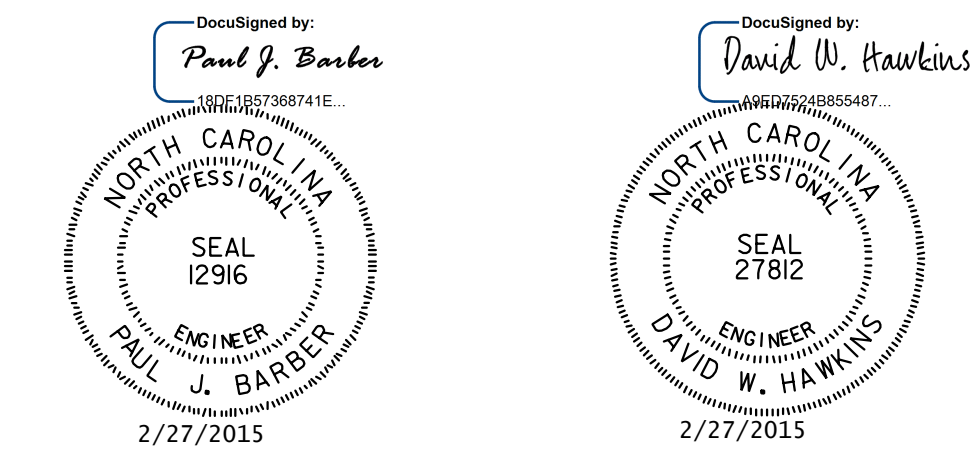


CULVERT SECTION NORMAL TO ROADWAY



END ELEVATION NORMAL TO SKEW

PROJECT NO. P-4900A
ROBESON COUNTY
 STATION: POC 55+31.95 -L-
 MILE POST: 0.86
 SHEET 3 OF 6



STATE OF NORTH CAROLINA
 DEPARTMENT OF TRANSPORTATION
 RALEIGH
 SECTION AND ELEVATION
 DOUBLE 7 FT. x 6 FT.
 CONCRETE BOX CULVERT
 AT POC STA. 55+31.95 -L-

HNTB HNTB NORTH CAROLINA, P.C. License No. C-1554 343 E. Six Forks Rd., Suite 200, Raleigh, N.C. 27609		REVISIONS		SHEET NO.
DRAWN BY: J. BAYNE	DATE: 7/14	NO. 3	BY:	C-3
CHECKED BY: P. BARBER	DATE: 8/14	NO. 4	DATE:	
				TOTAL SHEETS: 6