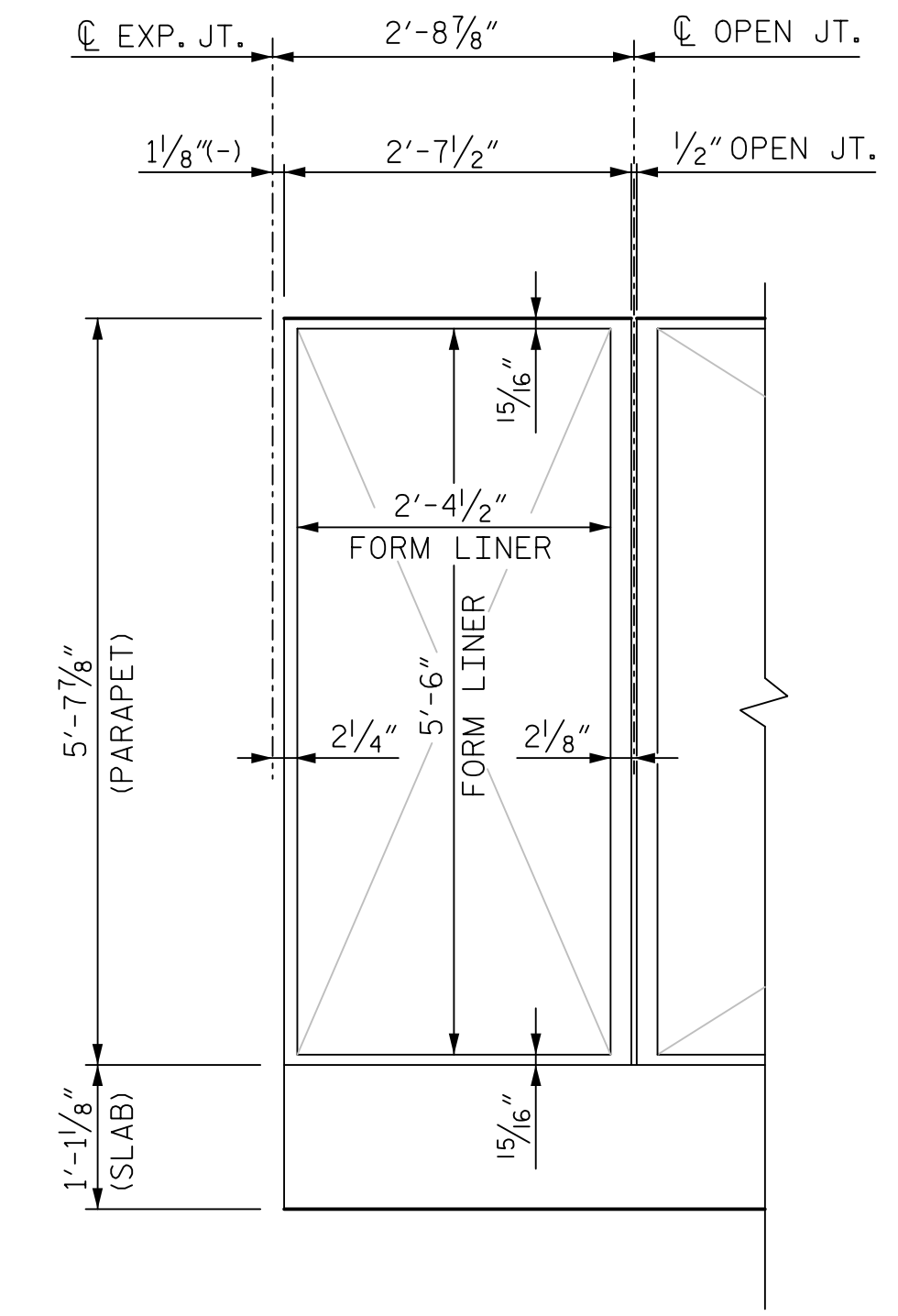
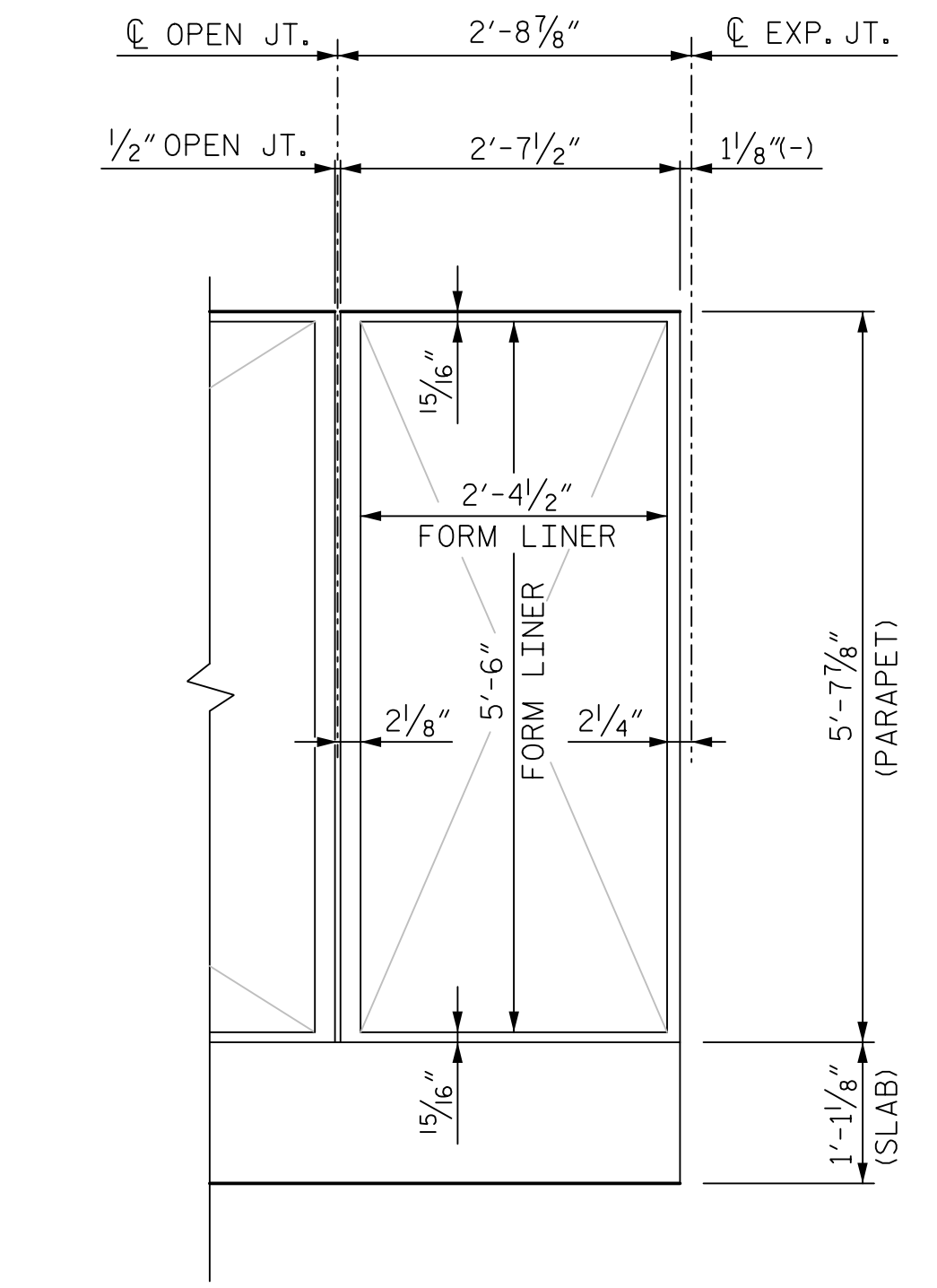


PANEL A
(28 REQ'D)

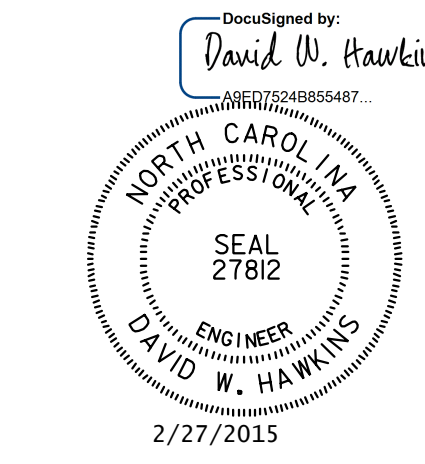
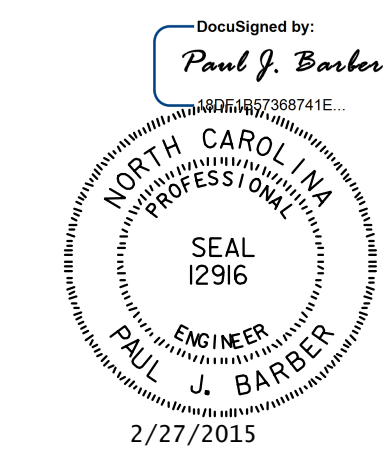


PANEL B
(2 REQ'D)



PANEL C
(2 REQ'D)

PROJECT NO. P-4900A
ROBESON COUNTY
 STATION: POC 38+93.36 -L-
 MILE POST: 0.55
 SHEET 2 OF 4



STATE OF NORTH CAROLINA
 DEPARTMENT OF TRANSPORTATION
 RALEIGH
SUPERSTRUCTURE
 PARAPET PANEL
 DETAILS

HNTB		HNTB NORTH CAROLINA, P.C. License No. C-1554 343 E. Six Forks Rd., Suite 200, Raleigh, N.C. 27609		REVISIONS		SHEET NO.
DRAWN BY	M. WRIGHT	DATE	8/14	NO.	BY:	DATE:
CHECKED BY	P. BARBER	DATE	9/14	1		
DWG. NO. 17				2		
						TOTAL SHEETS
						54