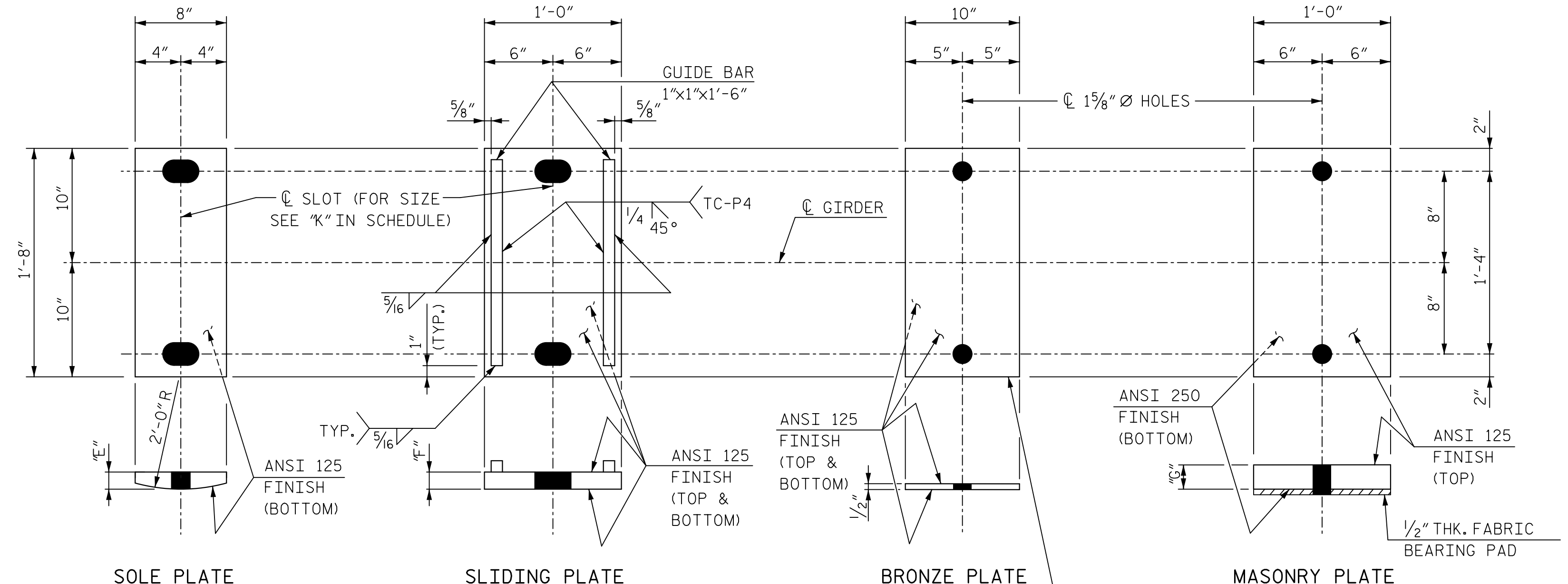
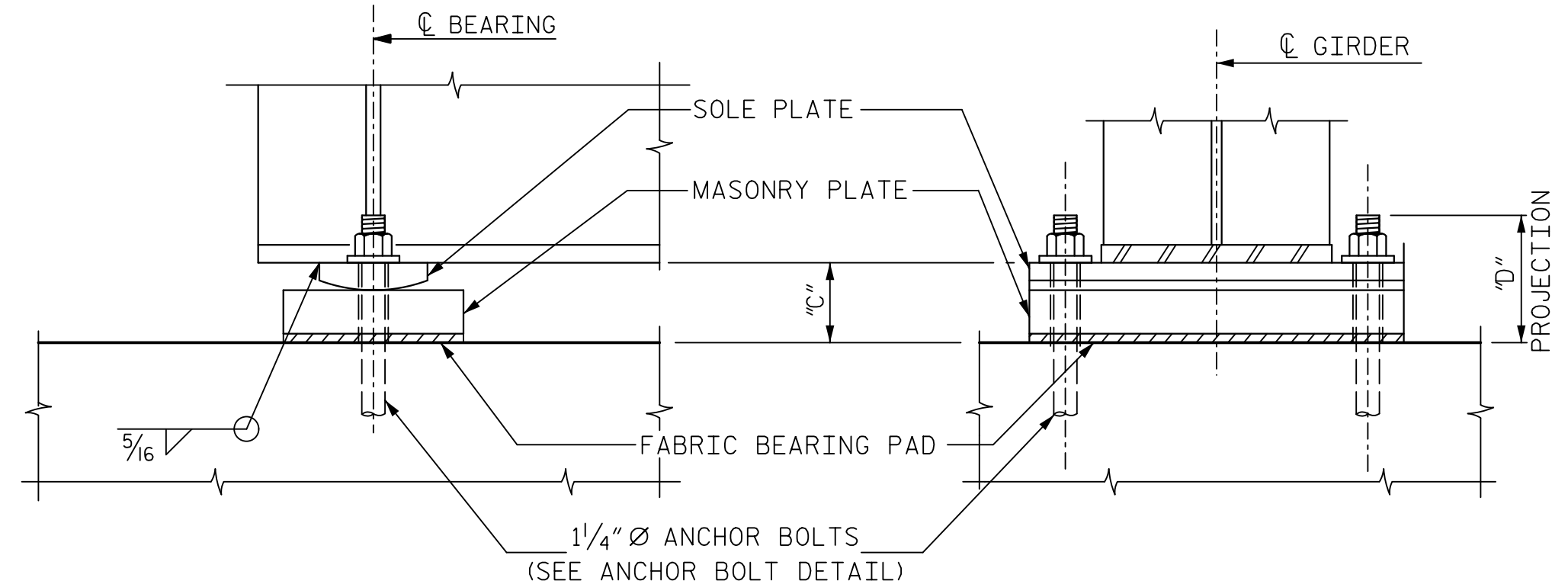


FIXED BEARINGS



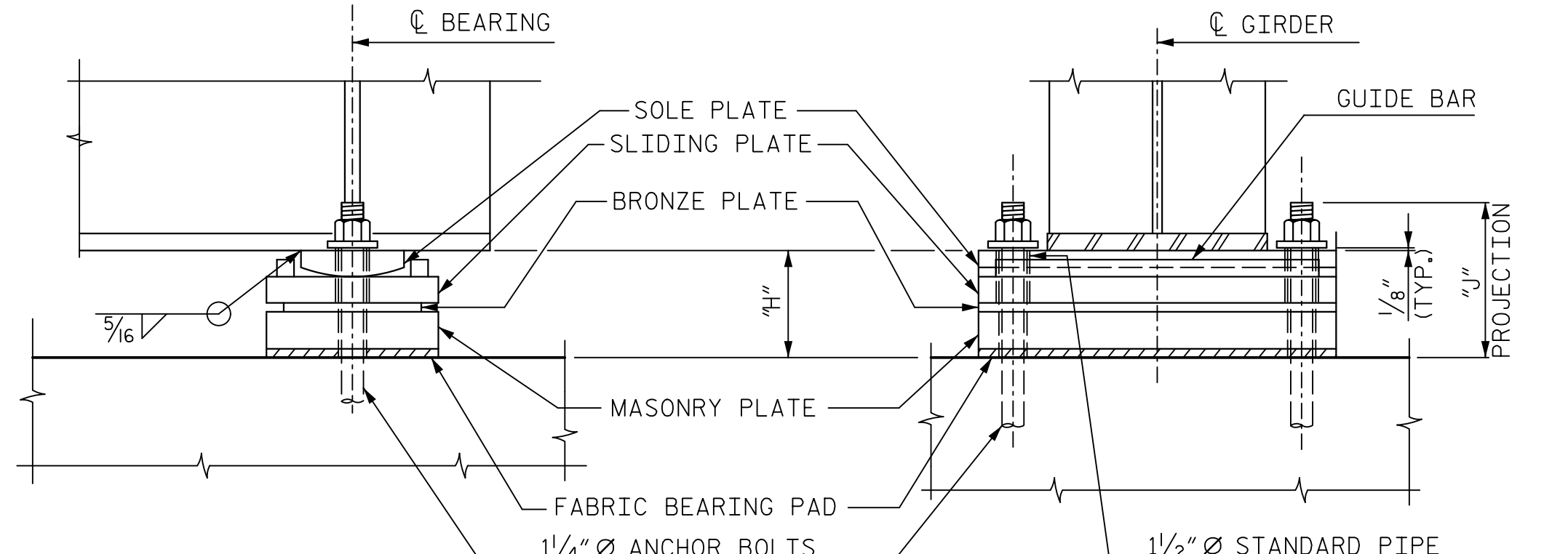
EXPANSION BEARINGS

BRONZE PLATE TO BE ASTM B22 - COPPER ALLOY 911 OR ASTM B100 - COPPER ALLOY 510. TOP SURFACE TO BE SELF LUBRICATING.



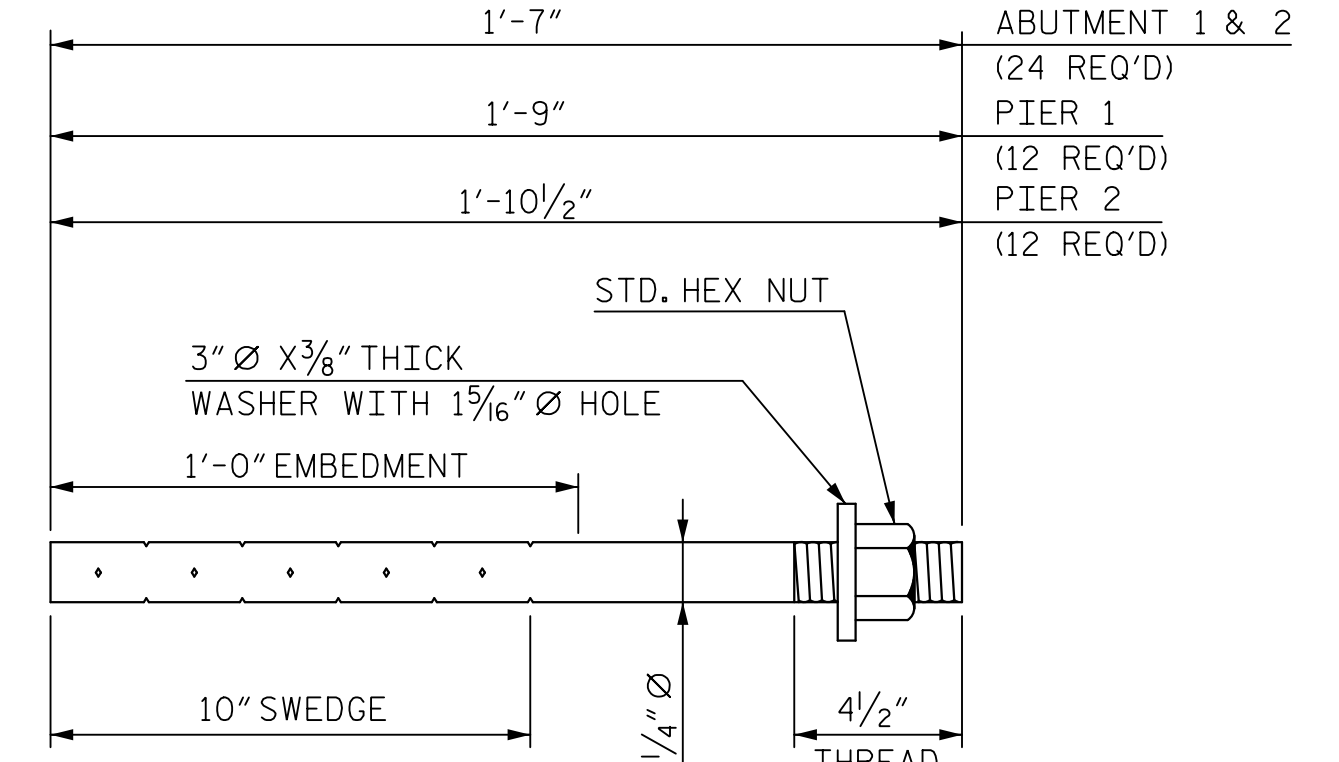
FIXED BEARING ASSEMBLY (FBA-1)

(12 REQ'D)



EXPANSION BEARING ASSEMBLY (EBA-1)

(12 REQ'D)



ANCHOR BOLT DETAIL

ABUTMENT 1 & 2 (24 REQ'D)
PIER 1 (12 REQ'D)
PIER 2 (12 REQ'D)

BEARING PLATE SCHEDULE

| GIRDER | DIMENSIONS | | | | | | | | | |
|--------|-----------------------|--------|--------|-----|--------|---------------------------|--------|--------|---------|-------|
| | FIXED BEARING (FBA-1) | | | | | EXPANSION BEARING (EBA-1) | | | | |
| | "A" | "B" | "C" | "D" | "E" | "F" | "G" | "H" | "J" | "K" |
| AG1 | 1 1/2" | 2 3/8" | 4 3/8" | 7" | 1 1/2" | 1 1/2" | 2 1/8" | 6 1/8" | 9" | 2"x3" |
| AG2 | 1 1/2" | 2 3/8" | 4 3/8" | 7" | 1 1/2" | 1 1/2" | 2 1/8" | 6 1/8" | 9" | 2"x3" |
| AG3 | 1 1/2" | 2 3/8" | 4 3/8" | 7" | 1 1/2" | 1 1/2" | 2 1/8" | 6 1/8" | 9" | 2"x3" |
| AG4 | 1 1/2" | 2 3/8" | 4 3/8" | 7" | 1 1/2" | 1 1/2" | 2 1/8" | 6 1/8" | 9" | 2"x3" |
| AG5 | 1 1/2" | 2 1/2" | 4 1/2" | 7" | 1 1/2" | 1 1/2" | 2 1/8" | 6 1/8" | 9" | 2"x3" |
| AG6 | 1 1/2" | 2 1/2" | 4 1/2" | 7" | 1 1/2" | 1 1/2" | 2 1/8" | 6 1/8" | 9" | 2"x3" |
| CG1 | 1 1/2" | 2 1/2" | 4 1/2" | 7" | 1 1/2" | 1 1/2" | 3 5/8" | 7 5/8" | 10 1/2" | 2"x3" |
| CG2 | 1 1/2" | 2 3/8" | 4 3/8" | 7" | 1 1/2" | 1 1/2" | 3 5/8" | 7 5/8" | 10 1/2" | 2"x3" |
| CG3 | 1 1/2" | 2 3/8" | 4 3/8" | 7" | 1 1/2" | 1 1/2" | 3 5/8" | 7 5/8" | 10 1/2" | 2"x3" |
| CG4 | 1 1/2" | 2 3/8" | 4 3/8" | 7" | 1 1/2" | 1 1/2" | 3 5/8" | 7 5/8" | 10 1/2" | 2"x3" |
| CG5 | 1 1/2" | 2 3/8" | 4 3/8" | 7" | 1 1/2" | 1 1/2" | 3 1/2" | 7 1/2" | 10 1/2" | 2"x3" |
| CG6 | 1 1/2" | 2 3/8" | 4 3/8" | 7" | 1 1/2" | 1 1/2" | 3 1/2" | 7 1/2" | 10 1/2" | 2"x3" |

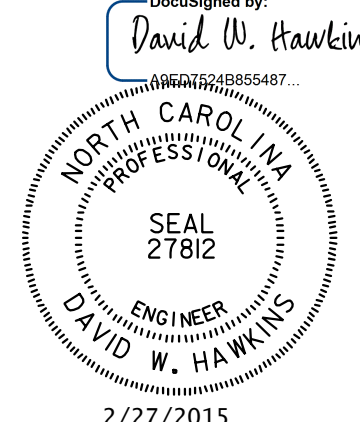
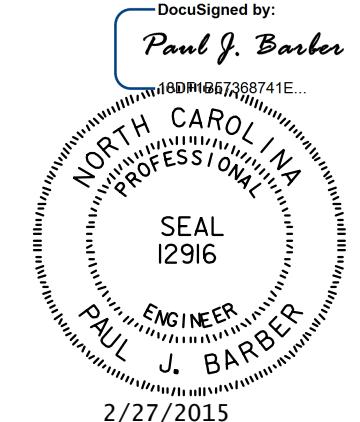
NOTES:
ANCHOR BOLTS, SLIDING PLATE (EXPANSION BEARING) AND MASONRY PLATE (FIXED AND EXPANSION BEARINGS) SHALL BE HOT DIPPED GALVANIZED.

ALL PLATE SURFACES SHALL BE PAINTED WITH A 3 COAT PAINT SYSTEM EXCEPT AS SPECIFIED BELOW.

- (A) THE SLIDING PLATE (EXPANSION BEARING) SHALL NOT BE PAINTED BUT SHALL RECEIVE A COAT OF LUBRICATION.
- (B) THE MASONRY PLATE (FIXED AND EXPANSION BEARINGS) SHALL NOT BE PAINTED.
- (C) THE BOTTOM SURFACE OF THE SOLE PLATE SHALL NOT BE PAINTED BUT SHALL RECEIVE A SINGLE COAT OF PRIMER APPLIED IN THE SHOP.
- (D) THE TOP SURFACE OF THE SOLE PLATE SHALL NOT BE PAINTED IN THE VICINITY OF THE WELD BETWEEN THE SOLE PLATE AND THE BOTTOM FLANGE.

FOR PAINTING STRUCTURAL STEEL, SEE SPECIAL PROVISIONS.

FOR SELF-LUBRICATING EXPANSION BEARING ASSEMBLIES, SEE SPECIAL PROVISIONS.



PROJECT NO. P-4900A
ROBESON COUNTY
STATION: POC 38+93.36 -L-
MILE POST: 0.55

STATE OF NORTH CAROLINA
DEPARTMENT OF TRANSPORTATION
RALEIGH
SUPERSTRUCTURE
BEARING DETAILS
SPANS A & C

| REVISIONS | | | | | | SHEET NO. | |
|-----------|----------|-------|-----|-----|-------|--------------|--|
| NO. | BY: | DATE: | NO. | BY: | DATE: | S-32 | |
| 1 | J. BAYNE | 7/14 | 3 | | | TOTAL SHEETS | |
| 2 | D. RAGAN | 8/14 | 4 | | | 54 | |

HNTB HNTB NORTH CAROLINA, P.C.
License No. C-1554
343 E. Six Forks Rd., Suite 200, Raleigh, N.C. 27609
DRAWN BY: J. BAYNE DATE: 7/14
CHECKED BY: D. RAGAN DATE: 8/14 DWG. NO. 13