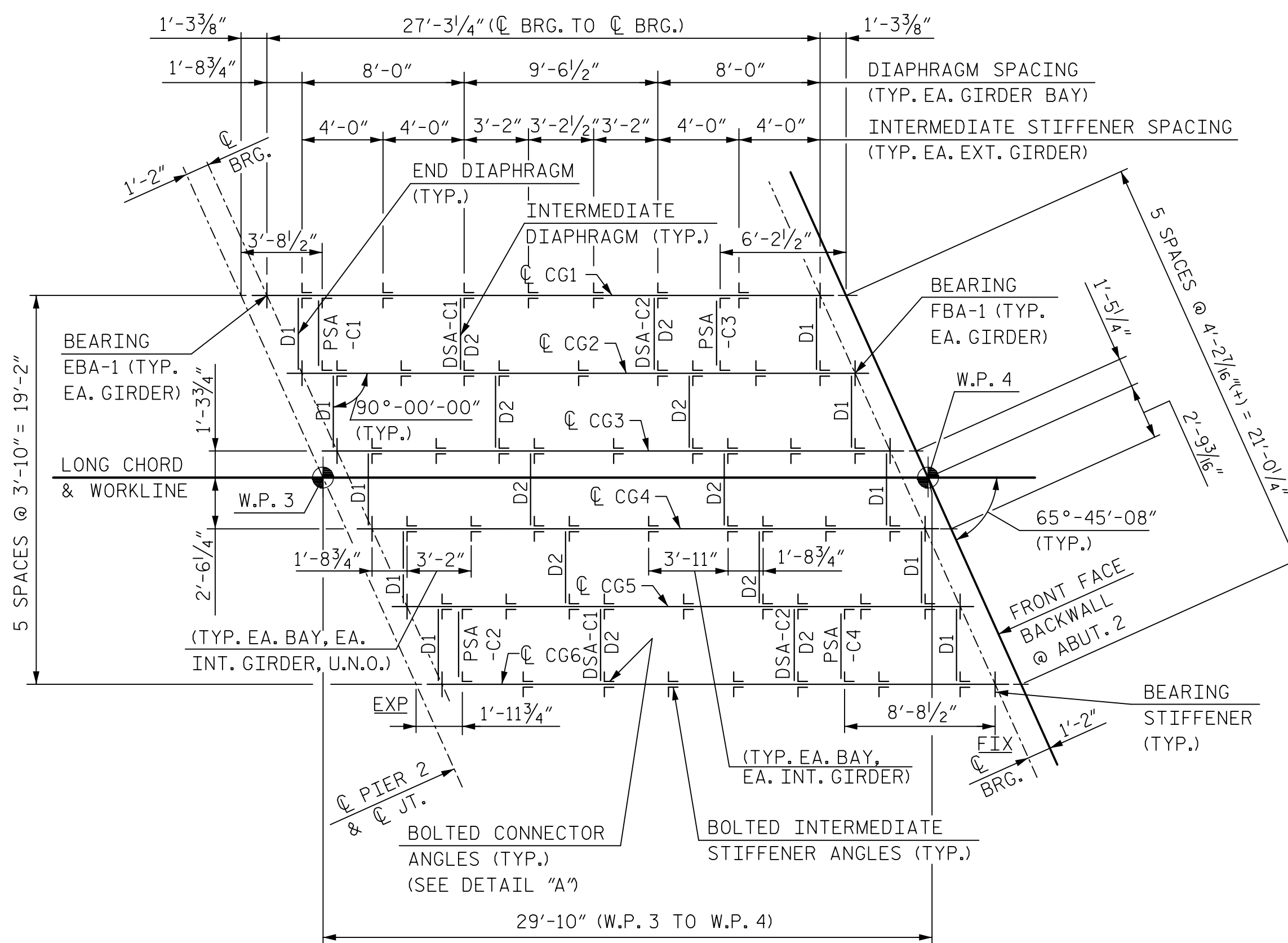


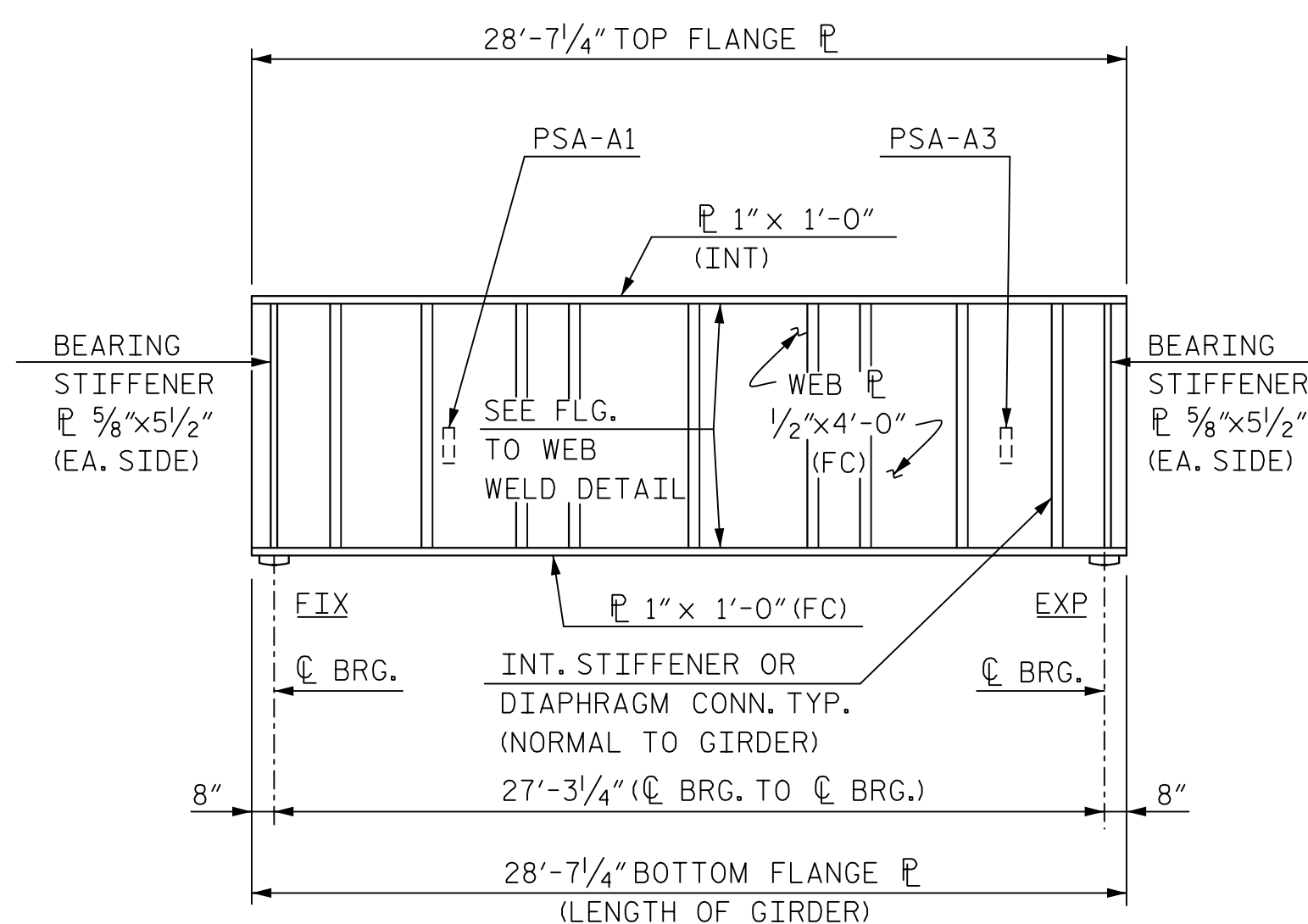
FRAMING PLAN - SPAN A



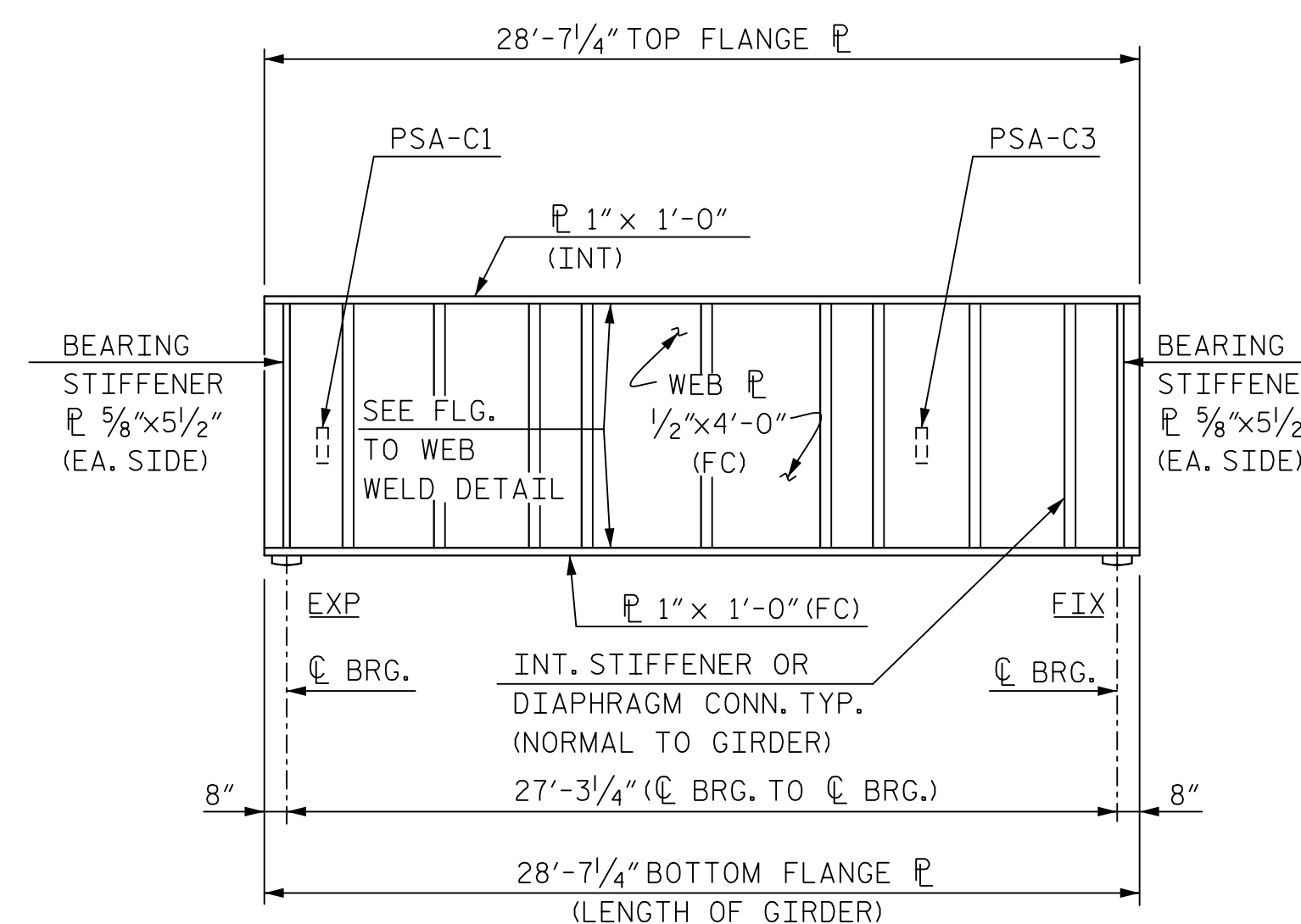
FRAMING PLAN - SPAN C

NOTE: U.N.O. = UNLESS NOTED OTHERWISE

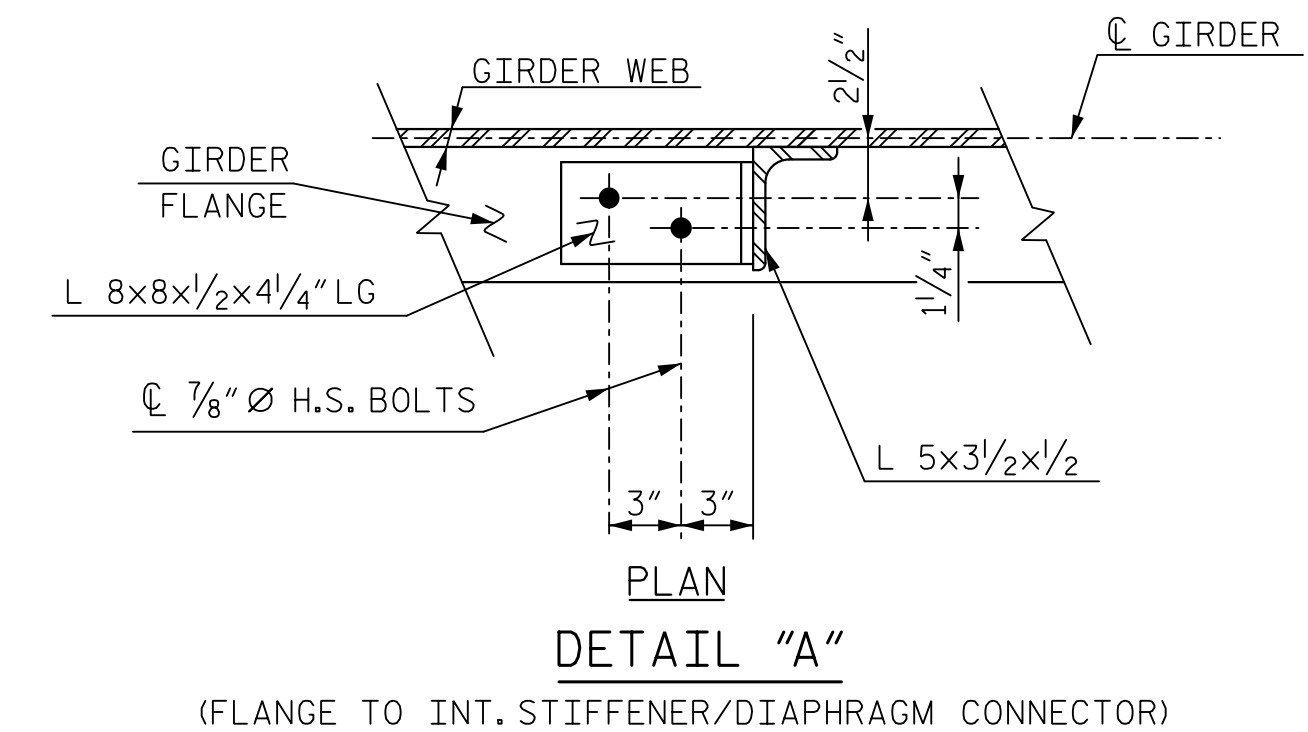
NOTES:
 ALL DIMENSIONS ON THIS DRAWING ARE HORIZONTAL
 ALL \odot PIERS AND \odot BEARINGS ARE PARALLEL.
 NO WEB CAMBER REQUIRED FOR SPAN A & C GIRDERS.
 REFER TO "STRUCTURAL STEEL DETAILS" SHEET FOR:
 DIAPHRAGM DETAILS
 STIFFENER AND CONNECTOR DETAILS
 FLANGE TO WEB WELD DETAIL
 STRUCTURAL STEEL NOTES
 FOR BEARINGS, SEE "BEARING DETAILS, SPANS A & C" SHEET.
 FOR DRAIN PIPE SUPPORT ANGLE DETAILS (DSA & PSA), SEE "DRAINAGE DETAILS (SHEET 3 OF 4)" SHEET.
 FLANGE SPLICES AND WEB SPLICES SHALL BE MADE WITH FULL PENETRATION GROOVE WELDS, SEE DETAILS ON "STRUCTURAL STEEL DETAILS" SHEET. FABRICATOR SHALL SHOW WELD CONFIGURATION AND JOINT PREPARATION ON SHOP DRAWINGS FOR APPROVAL.
 FLANGE SPLICES AND WEB SPLICES SHALL BE STAGGERED LONGITUDINALLY A MINIMUM OF 2'-0" - SEE "STRUCTURAL STEEL DETAILS" SHEET FOR DETAIL.
 GIRDERS HAVE BEEN DESIGNED NON-COMPOSITE.
 INT DENOTES NON-FRACTURE CRITICAL MEMBER OR COMPONENT REQUIRING IMPROVED NOTCH TOUGHNESS, T2.
 FC DENOTES FRACTURE CRITICAL MEMBER OR COMPONENT REQUIRING IMPROVED NOTCH TOUGHNESS, F2.



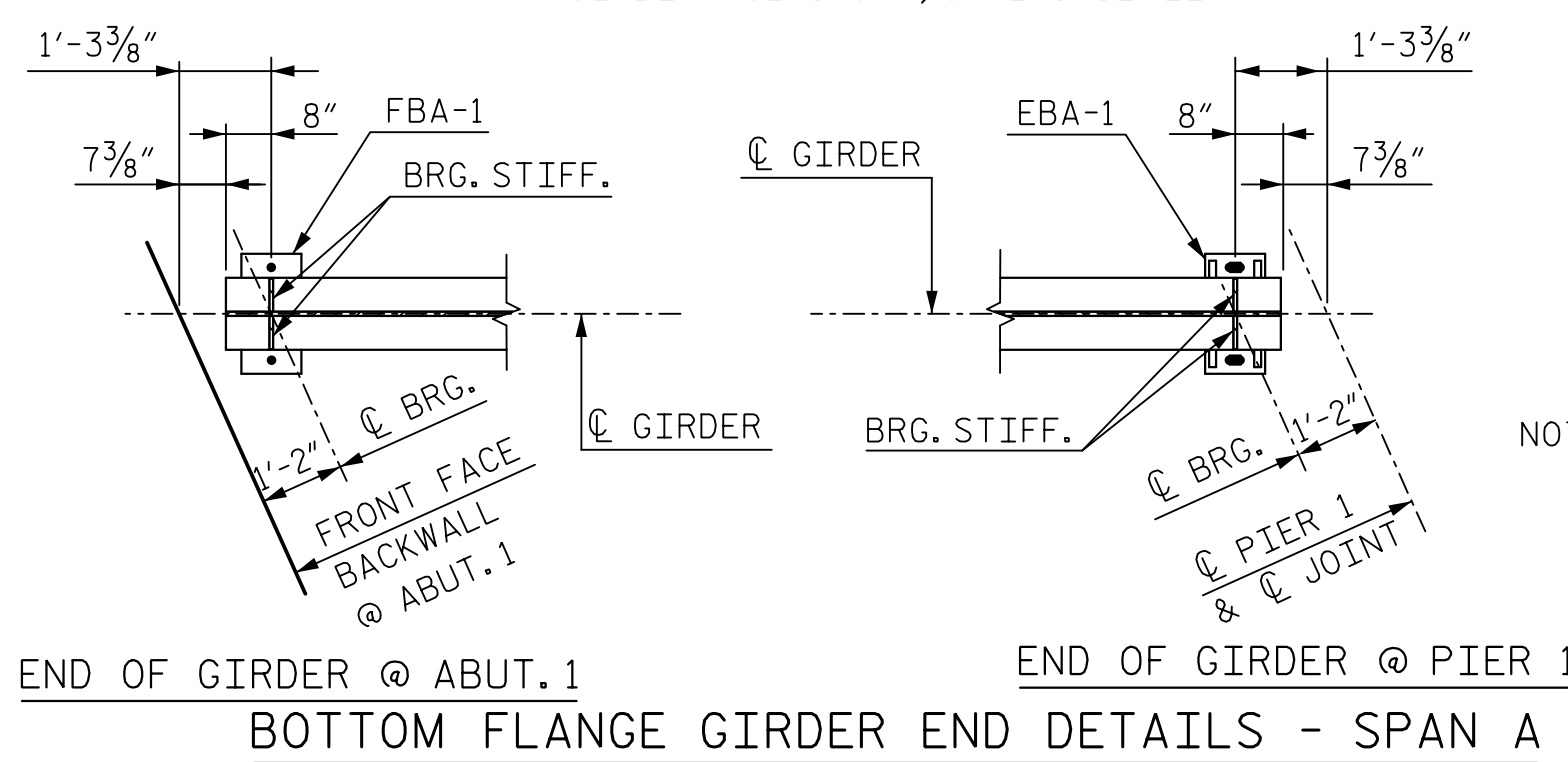
GIRDER ELEVATION - SPAN A
 (GIRDER AG2 SHOWN, OTHERS SIMILAR)



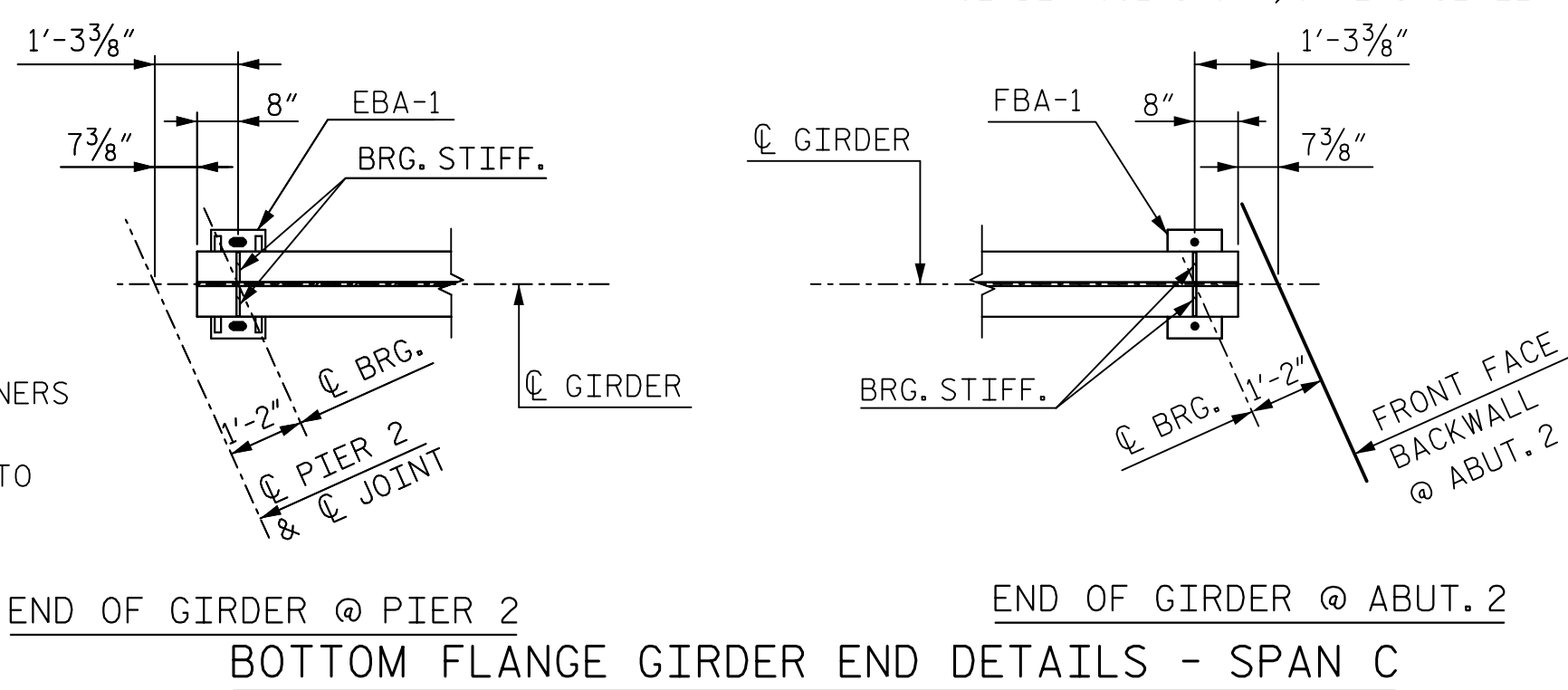
GIRDER ELEVATION - SPAN C
 (GIRDER CG2 SHOWN, OTHERS SIMILAR)



DETAIL "A"
 (FLANGE TO INT. STIFFENER/DIAPHRAGM CONNECTOR)



BOTTOM FLANGE GIRDER END DETAILS - SPAN A



BOTTOM FLANGE GIRDER END DETAILS - SPAN C

Designed by:
Paul J. Barber
 License No. 388741E
 NORTH CAROLINA PROFESSIONAL ENGINEER
 SEAL 12916
 PAUL J. BARBER
 2/27/2015

Designed by:
David W. Hawkins
 License No. 388741E
 NORTH CAROLINA PROFESSIONAL ENGINEER
 SEAL 27812
 DAVID W. HAWKINS
 2/27/2015

PROJECT NO. P-4900A
ROBESON COUNTY
 STATION: POC 38+93.36 -L-
 MILE POST: 0.55

HNTB		HNTB NORTH CAROLINA, P.C. License No. C-1554 343 E. Six Forks Rd., Suite 200, Raleigh, N.C. 27609		REVISIONS		SHEET NO.	
DRAWN BY	M. WRIGHT	DATE	7/14	NO.	BY:	DATE:	S-29
CHECKED BY	P. BARBER	DATE	9/14	1			
				DWG. NO. 10		TOTAL SHEETS	
						54	