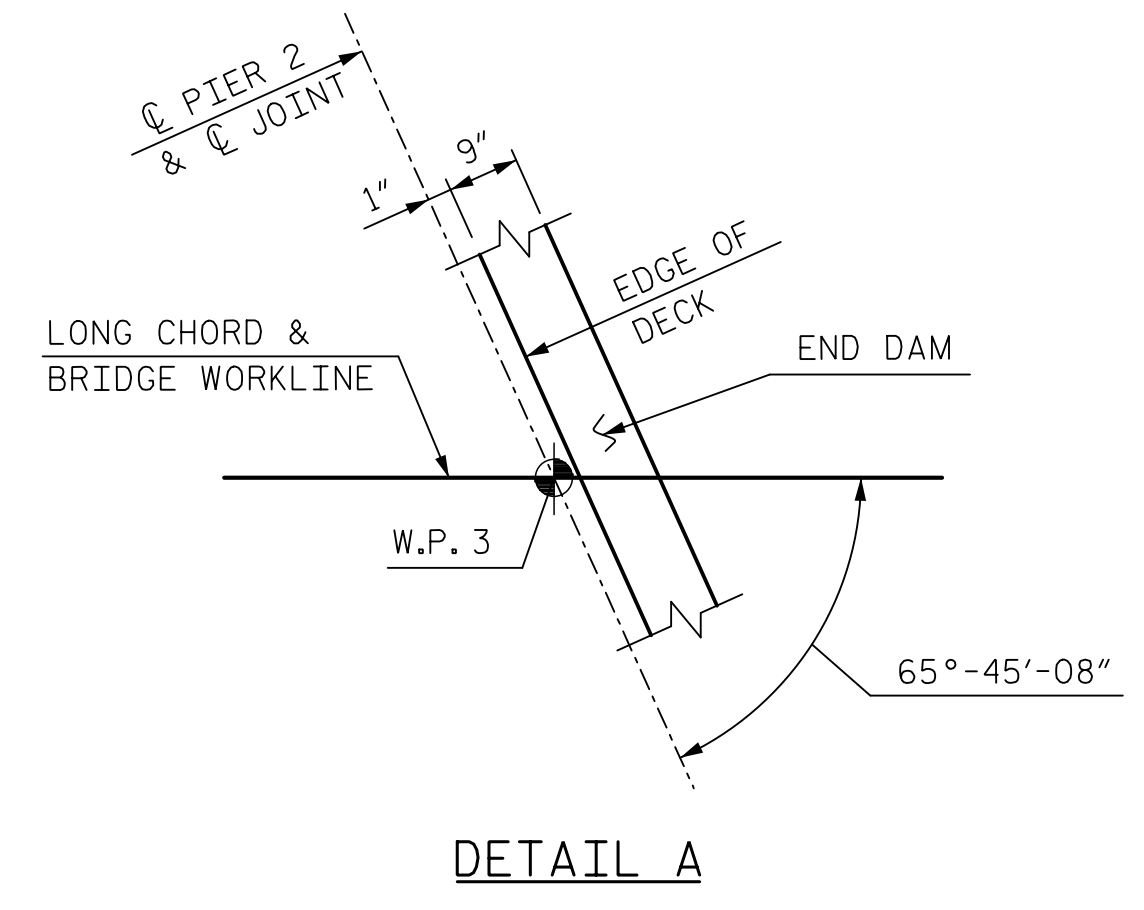
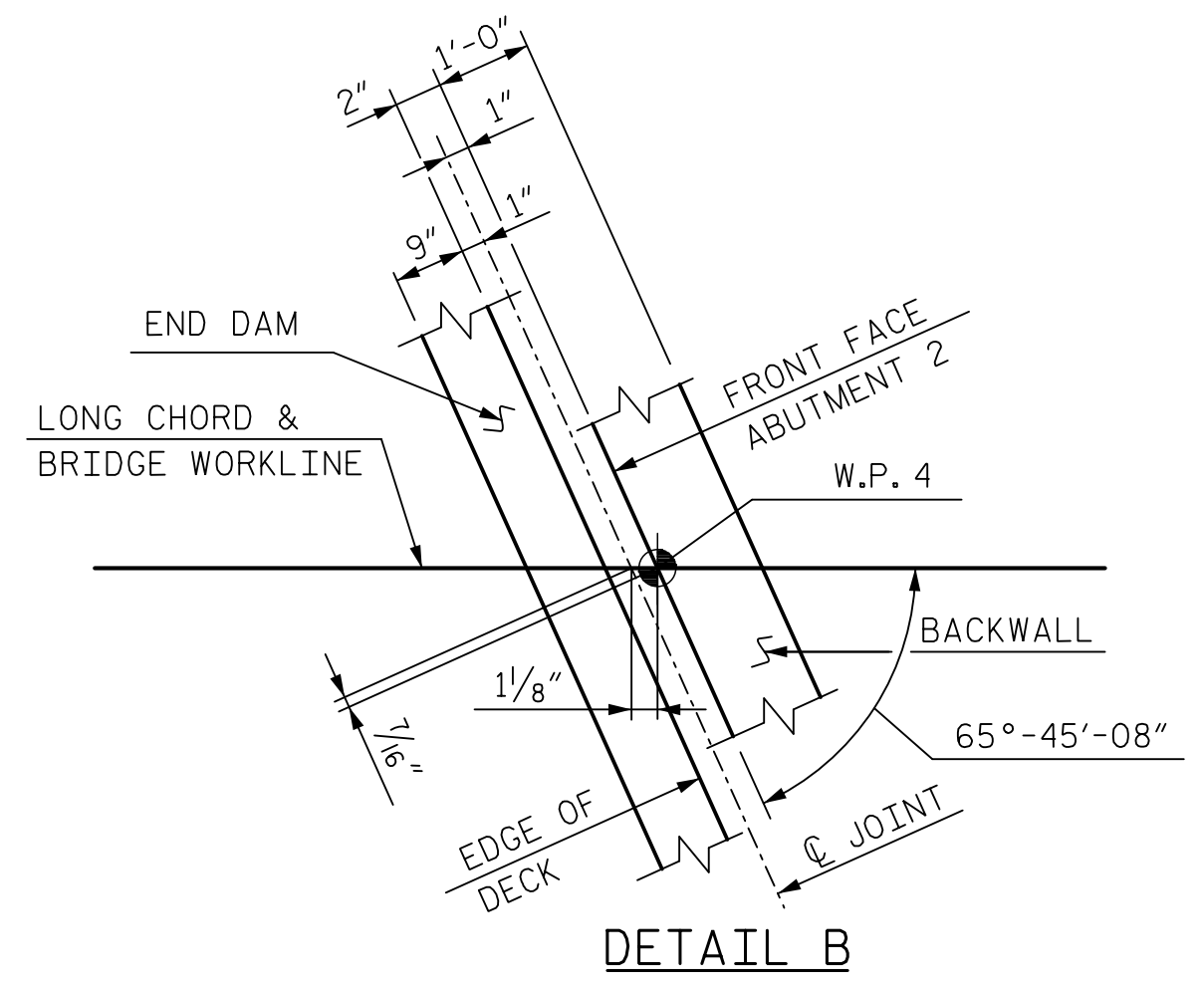


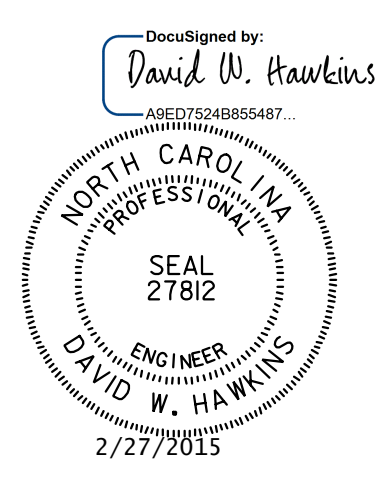
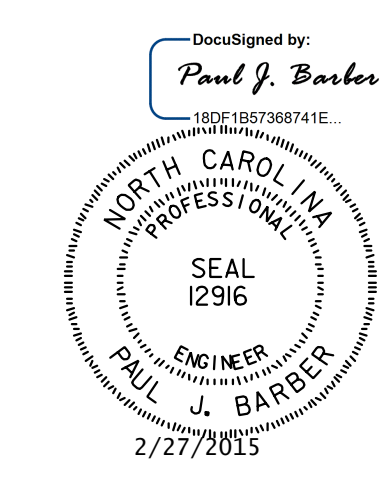
PLAN - SPAN C
 @ SURVEY -L- NOT SHOWN FOR CLARITY.

NOTES:

- ALL REINFORCING SHALL BE EPOXY COATED.
- FOR SECTION A-A & B-B SEE "DECK DETAILS" SHEET.
- FOR DECK DRAIN DETAILS SEE DETAIL "B" ON "DRAINAGE DETAILS SHEET 3 OF 4" SHEET.
- FOR CONCRETE PARAPET DETAILS, SEE "DECK DETAILS" SHEETS.
- FOR ARCHITECTURAL TREATMENT OF PARAPET, SEE "PARAPET ARCHITECTURAL DETAILS" SHEET.
- SLAB BARS MAY BE SHIFTED TO AVOID DECK DRAIN LOCATIONS.
- U.N.O. = UNLESS NOTED OTHERWISE
- E.F. = EACH FACE



PROJECT NO. P-4900A
ROBESON COUNTY
 STATION: POC 38+93.36 -L-
 MILE POST: 0.55



STATE OF NORTH CAROLINA
 DEPARTMENT OF TRANSPORTATION
 RALEIGH
SUPERSTRUCTURE
 PLAN OF DECK - SPAN C

HNTB HNTB NORTH CAROLINA, P.C.		REVISIONS		SHEET NO.
DRAWN BY: M. WRIGHT	DATE: 6/14	NO. 3	BY: []	S-28
CHECKED BY: P. BARBER	DATE: 7/14	NO. 4	DATE: []	
DWG. NO. 9			TOTAL SHEETS: 54	