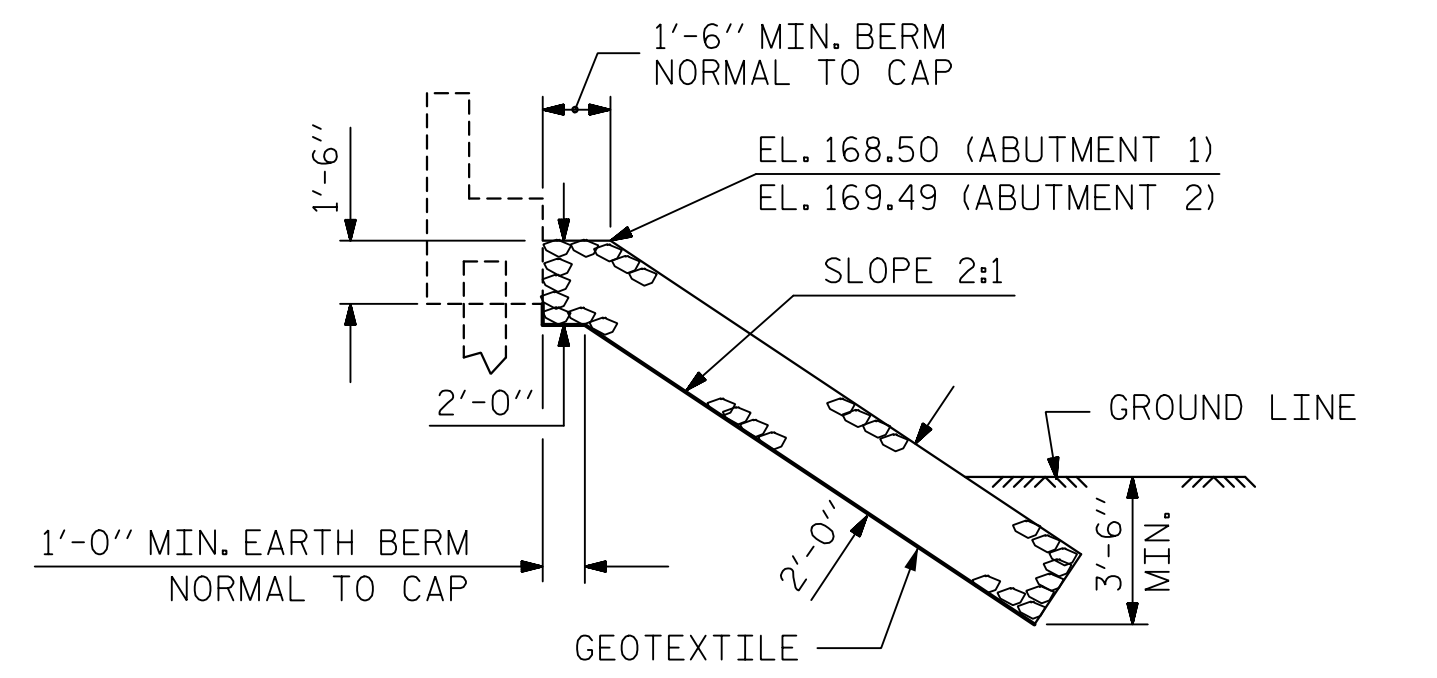
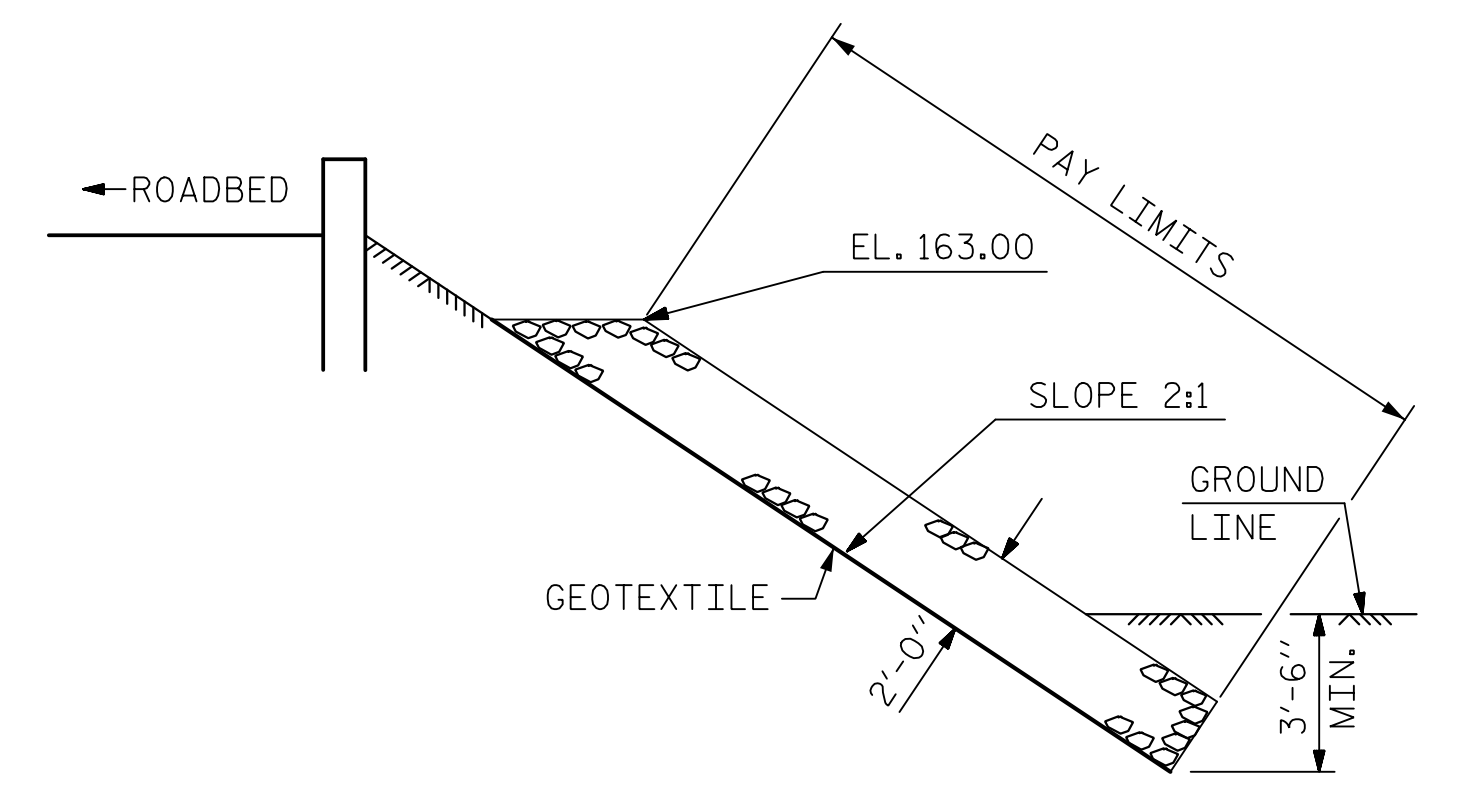


PLAN

NOTES:
FOR BERM WIDTH DIMENSIONS,
SEE GENERAL DRAWING.



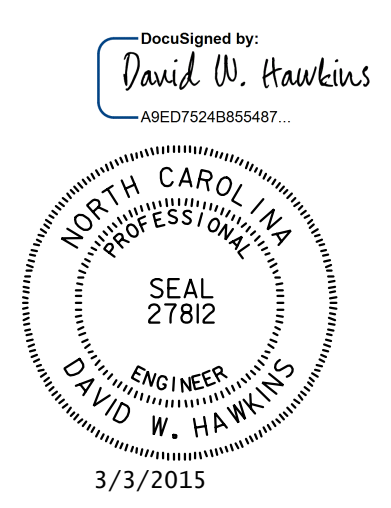
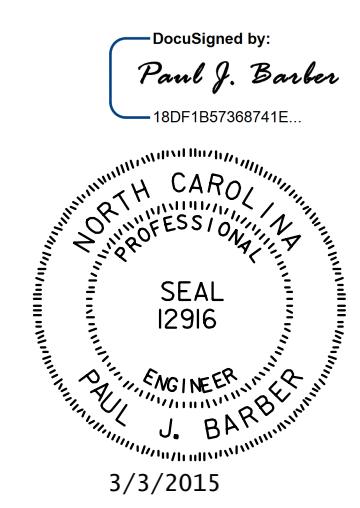
SECTION
BERM RIP RAPPED



SECTION C-C

ESTIMATED QUANTITIES		
BRIDGE @ STA. 22+07.07 -L-	RIP RAP CLASS II (2'-0" THICK)	GEOTEXTILE FOR DRAINAGE
	TONS	SQUARE YARDS
ABUTMENT 1	281	312
ABUTMENT 2	342	379

PROJECT NO. P-4900A
ROBESON COUNTY
 STATION: POS 22+07.07 -L-
 MILE POST: 0.23



STATE OF NORTH CAROLINA
 DEPARTMENT OF TRANSPORTATION
 RALEIGH
 STANDARD
 = RIP RAP DETAILS =

ASSEMBLED BY : W. WRIGHT	DATE : 9/14
CHECKED BY : D. RAGAN	DATE : 10/14
DRAWN BY : REK 1/84	REV. 5/1/06R TLA/GM
CHECKED BY : RDU 1/84	REV. 10/1/11 MAA/GM
	REV. 12/21/11 MAA/GM

HNTB HNTB NORTH CAROLINA, P.C.
 License No. C-1554
 343 E. Six Forks Rd., Suite 200, Raleigh, N.C. 27609

DRAWN BY : M. WRIGHT	DATE : 9/14	DWG. NO. 19
CHECKED BY : D. RAGAN	DATE : 10/14	

REVISIONS						SHEET NO.
NO.	BY:	DATE:	NO.	BY:	DATE:	S-19
1			3			TOTAL SHEETS
2			4			54