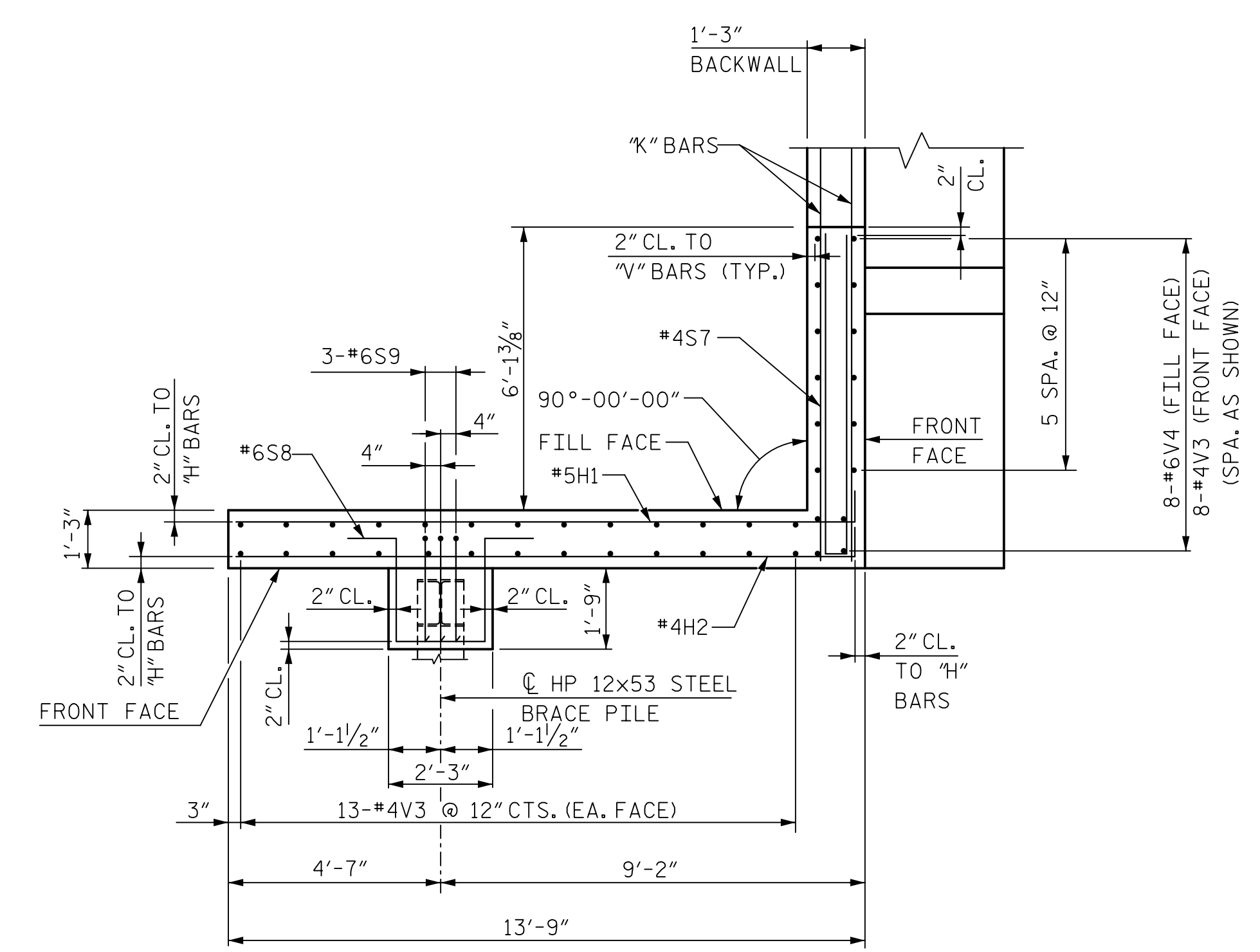
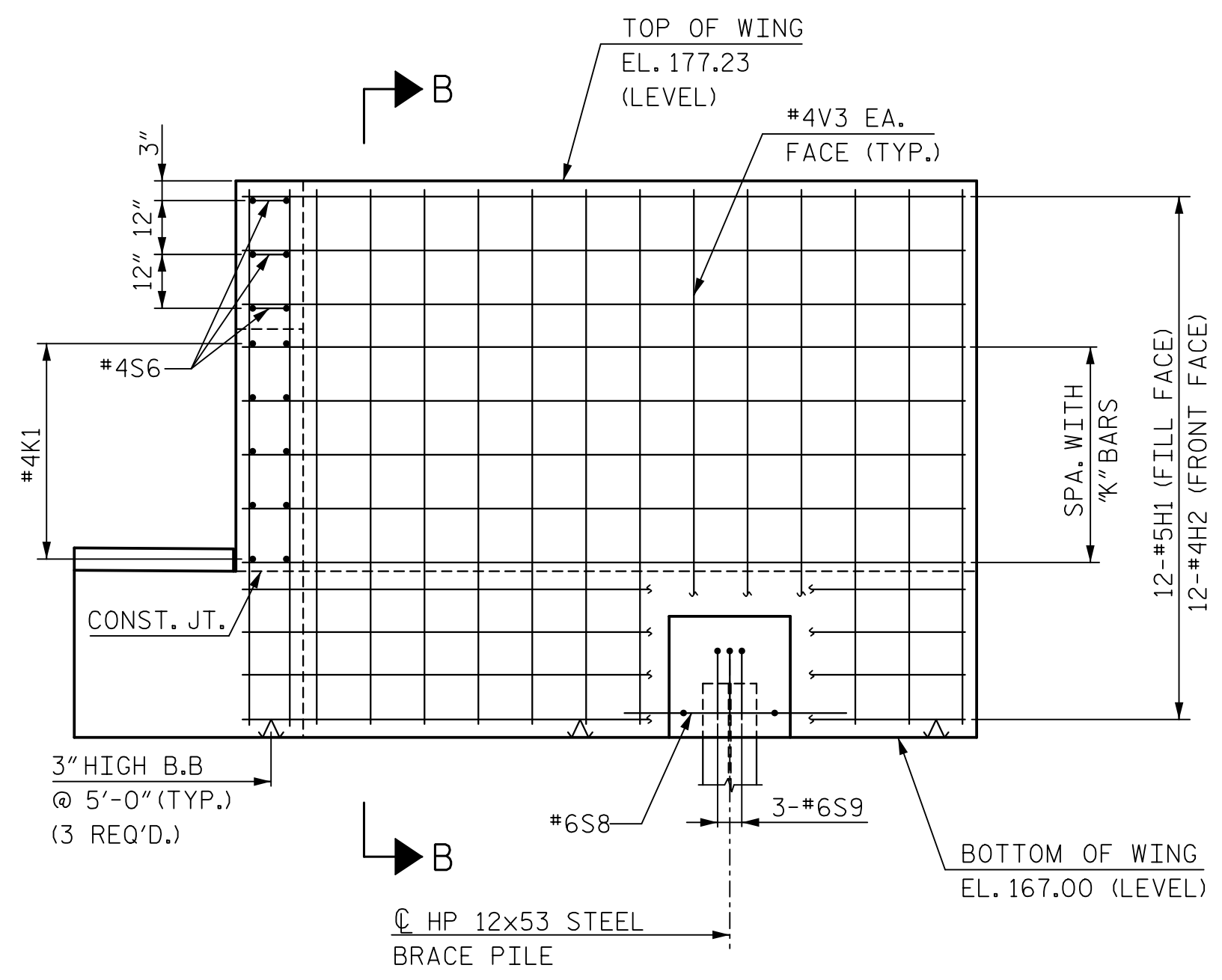


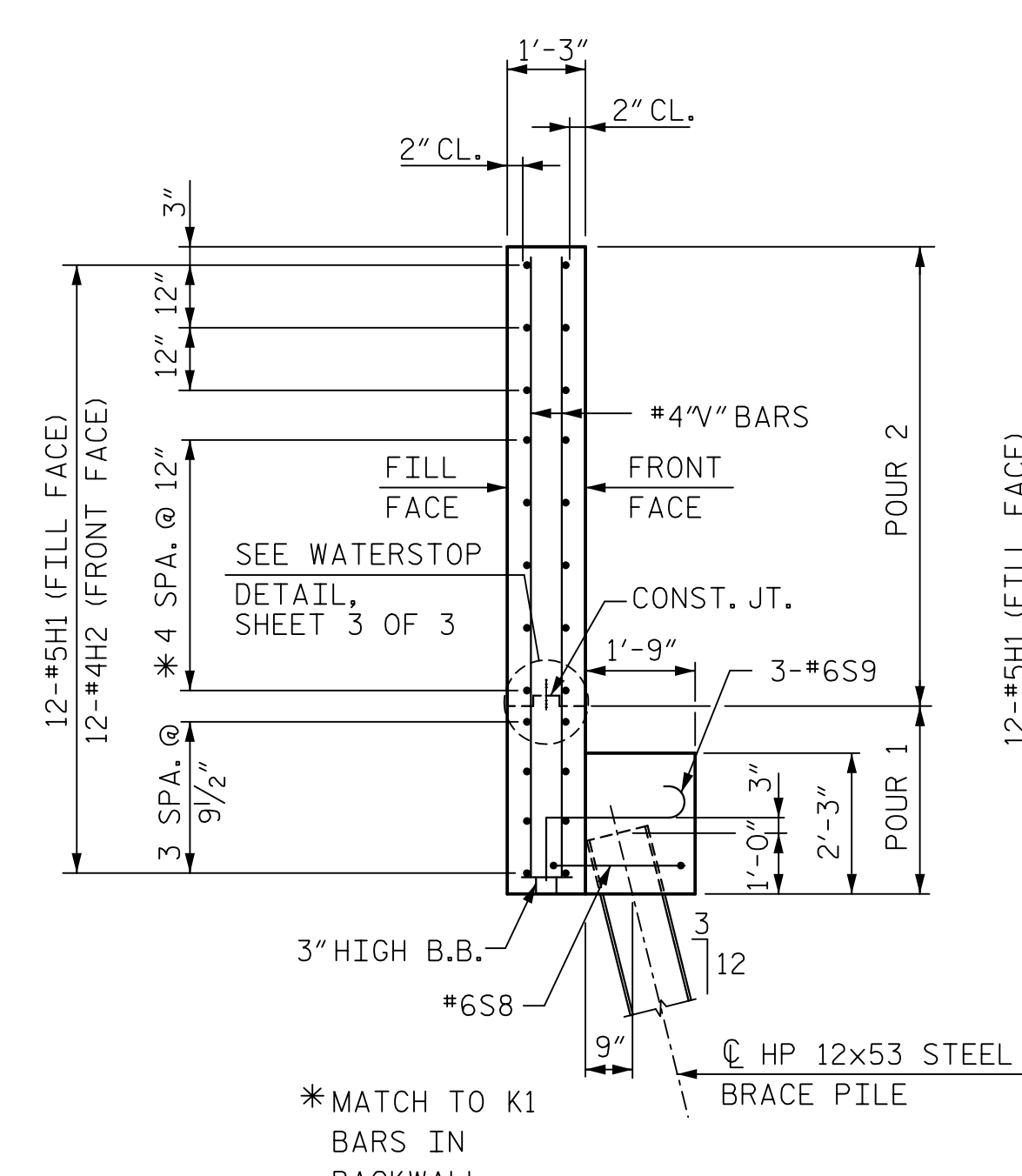
PLAN OF WING (W1)



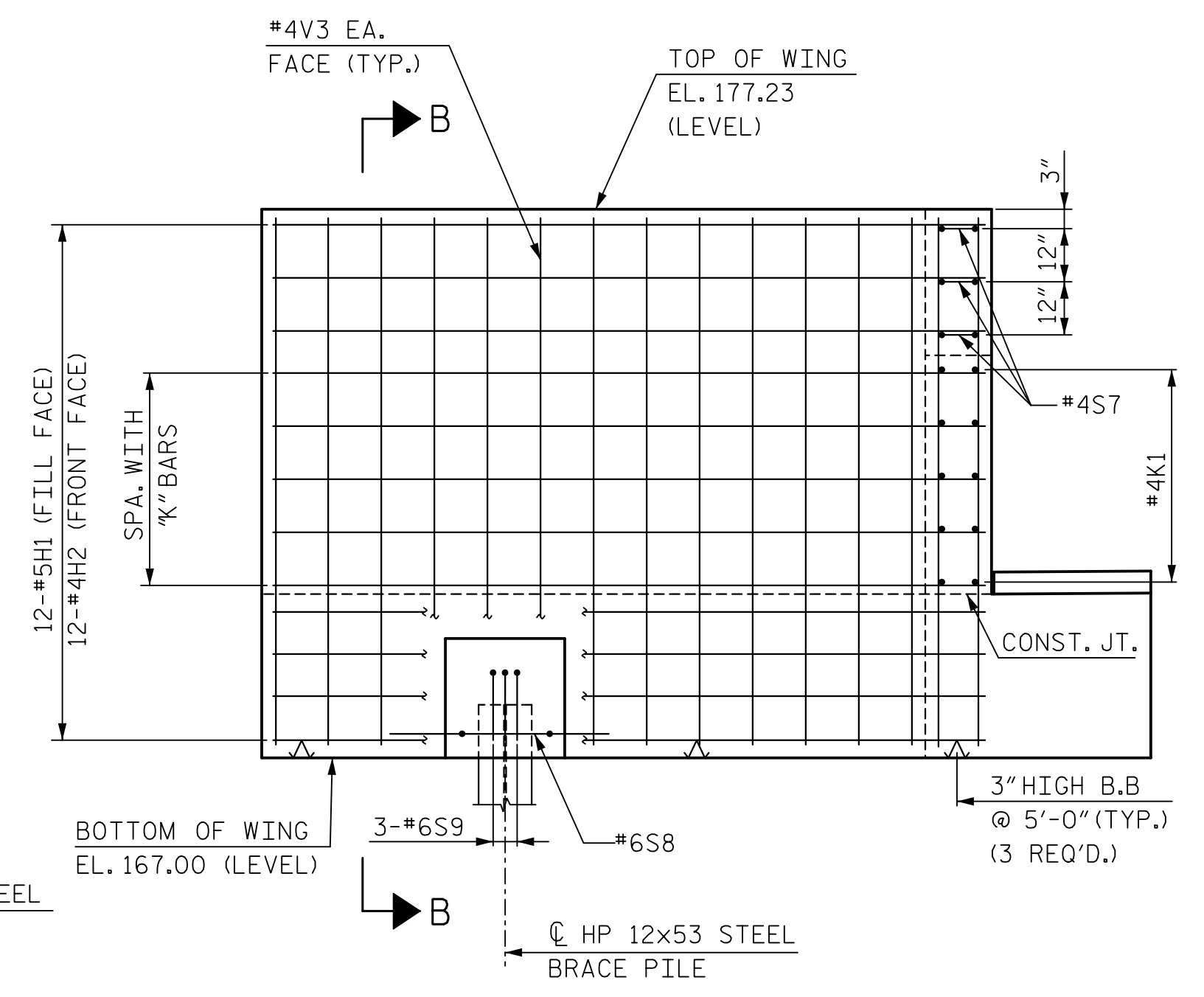
PLAN OF WING (W2)



ELEVATION OF WING (W1)

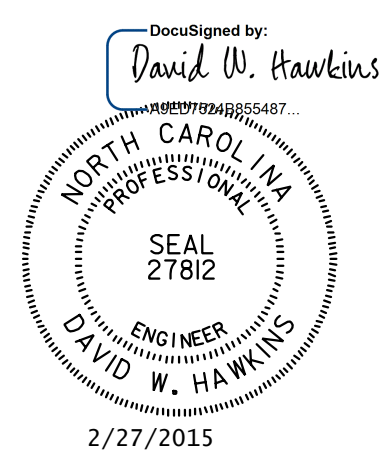
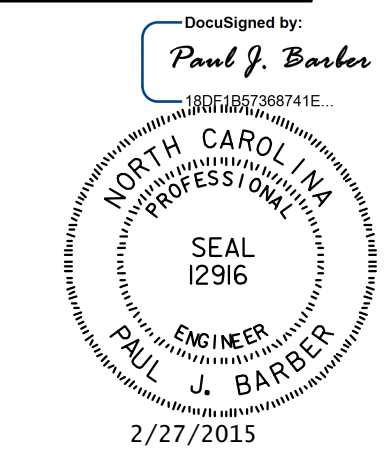


SECTION B-B



ELEVATION OF WING (W2)

PROJECT NO. P-4900A  
 ROBESON COUNTY  
 STATION: POS 22+07.07 -L-  
 MILE POST: 0.23  
 SHEET 2 OF 3



STATE OF NORTH CAROLINA  
 DEPARTMENT OF TRANSPORTATION  
 RALEIGH  
 SUBSTRUCTURE  
 ABUTMENT 1

<b>HNTB</b> HNTB NORTH CAROLINA, P.C. License No. C-1554 343 E. Six Forks Rd., Suite 200, Raleigh, N.C. 27609		REVISIONS		SHEET NO. <b>S-11</b>
DRAWN BY: M. WRIGHT	DATE: 9/14	NO. 3	BY:	TOTAL SHEETS <b>54</b>
CHECKED BY: D. RAGAN	DATE: 10/14	NO. 4	DATE:	
DWG. NO. II				