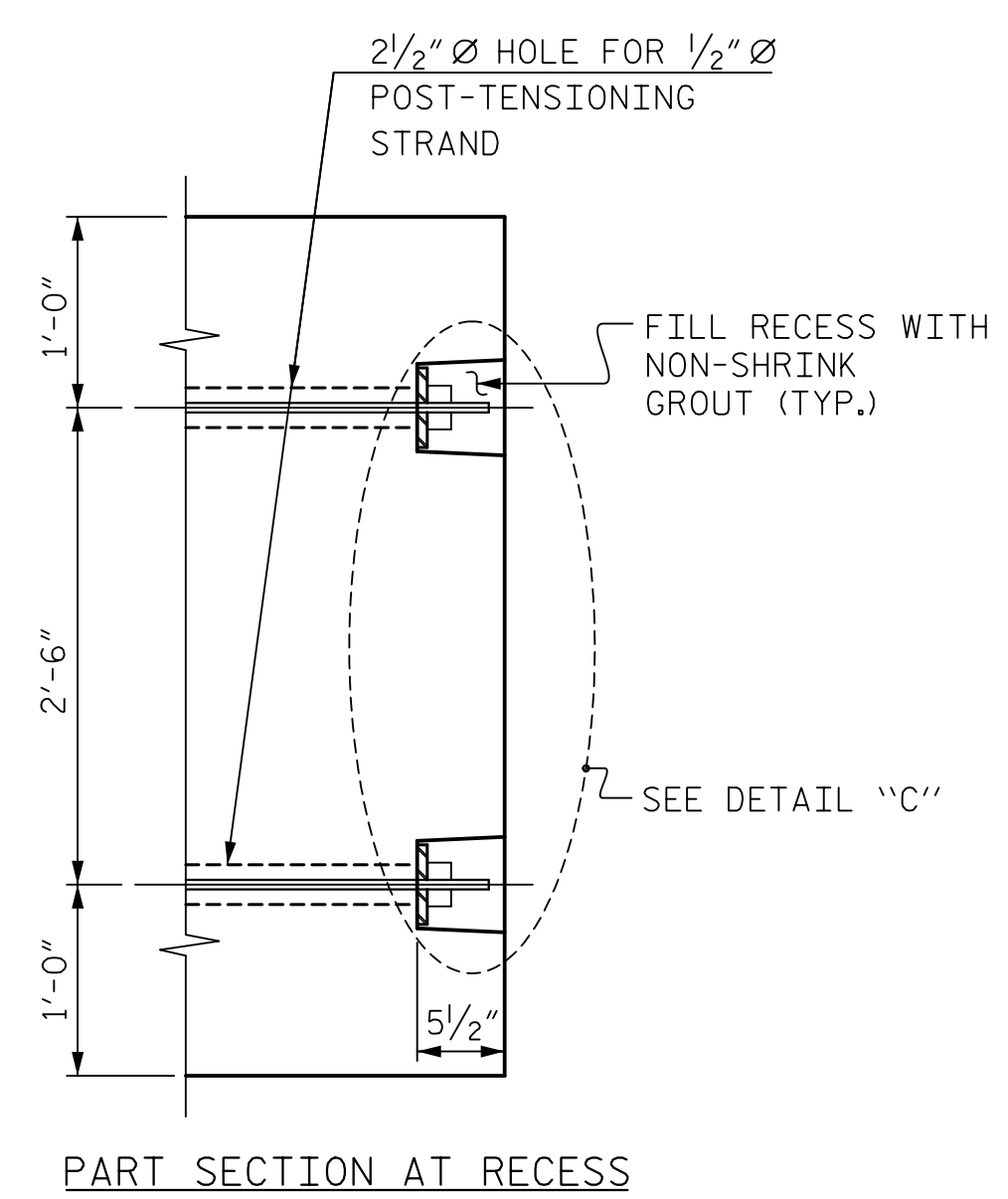
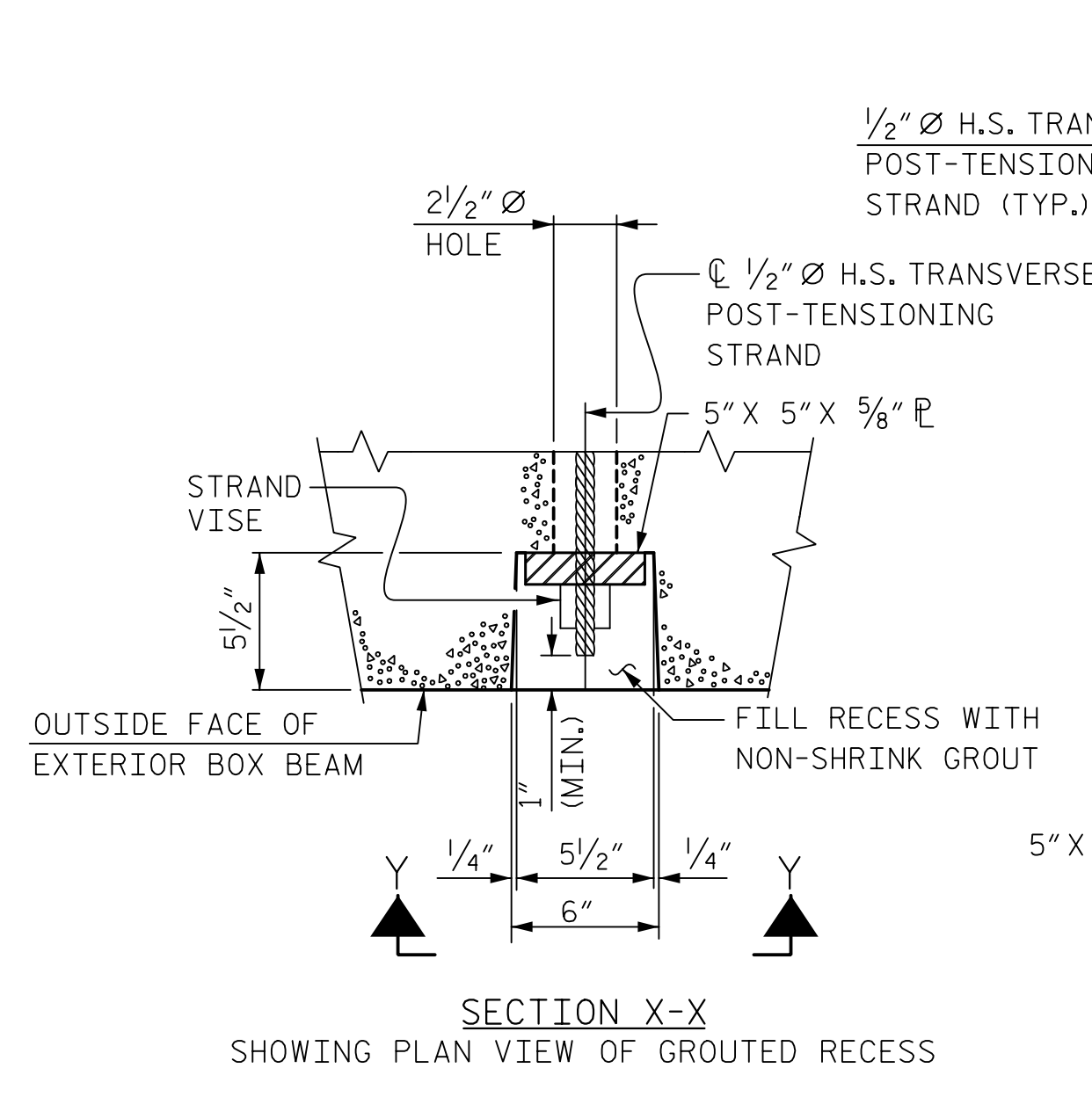


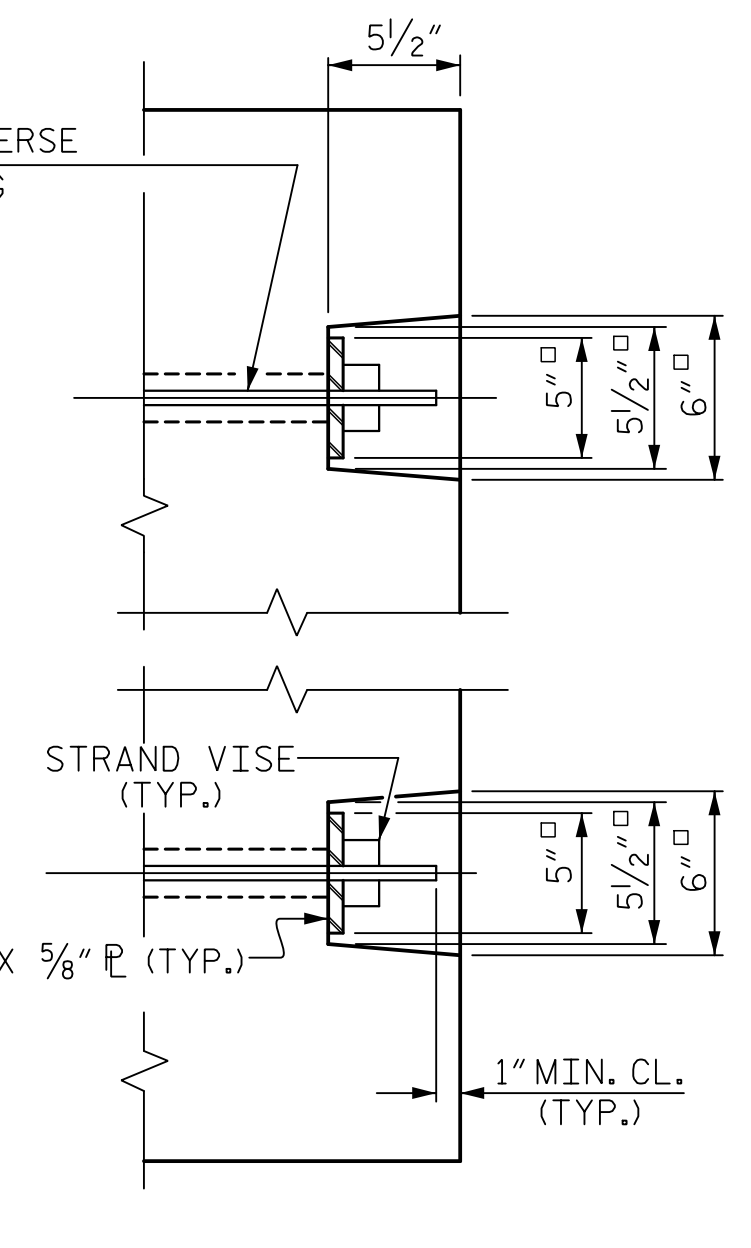
VIEW Y-Y  
SHOWING ELEVATION VIEW OF  
GROUTED RECESS



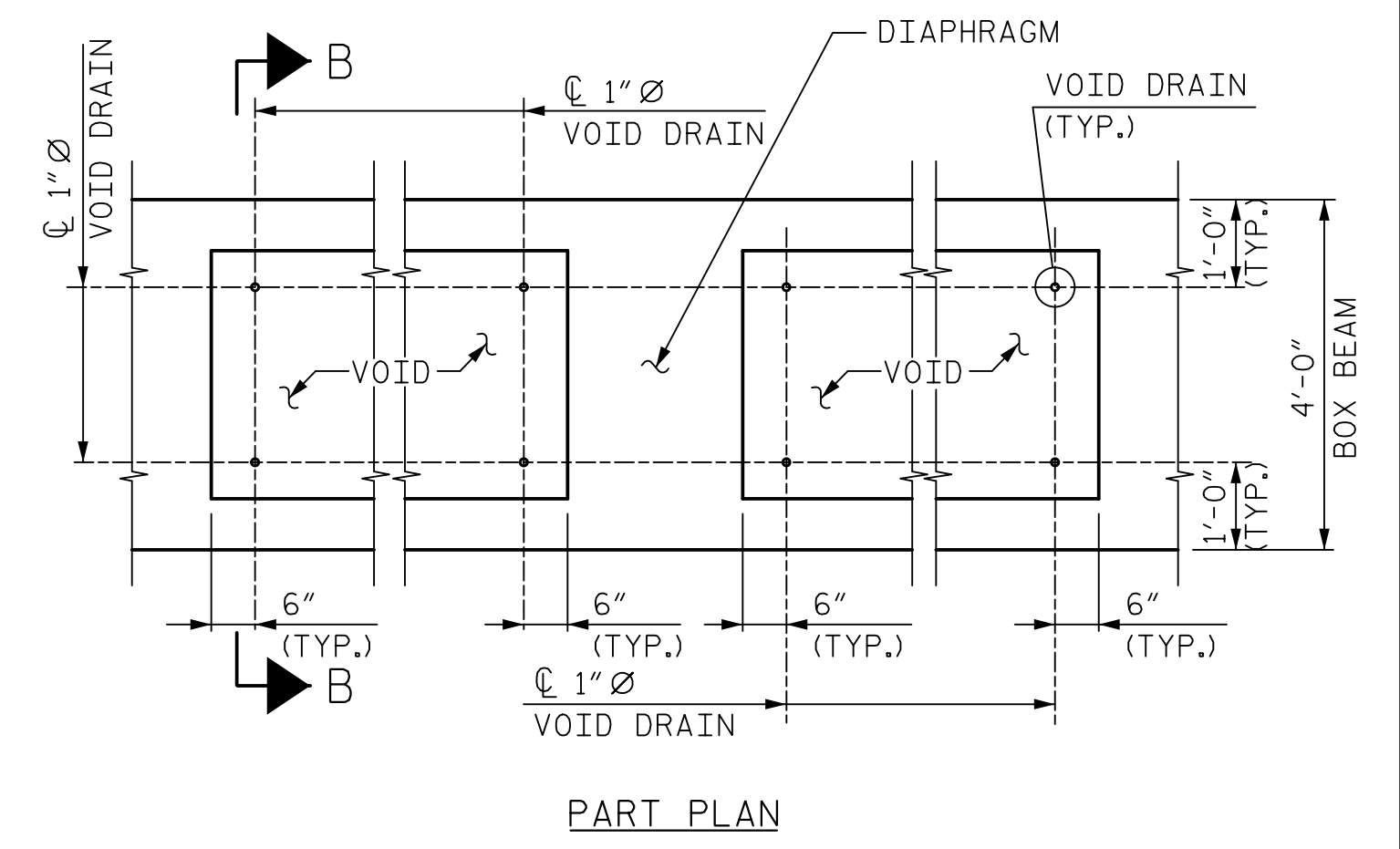
PART SECTION AT RECESS



SECTION X-X  
SHOWING PLAN VIEW OF GROUTED RECESS

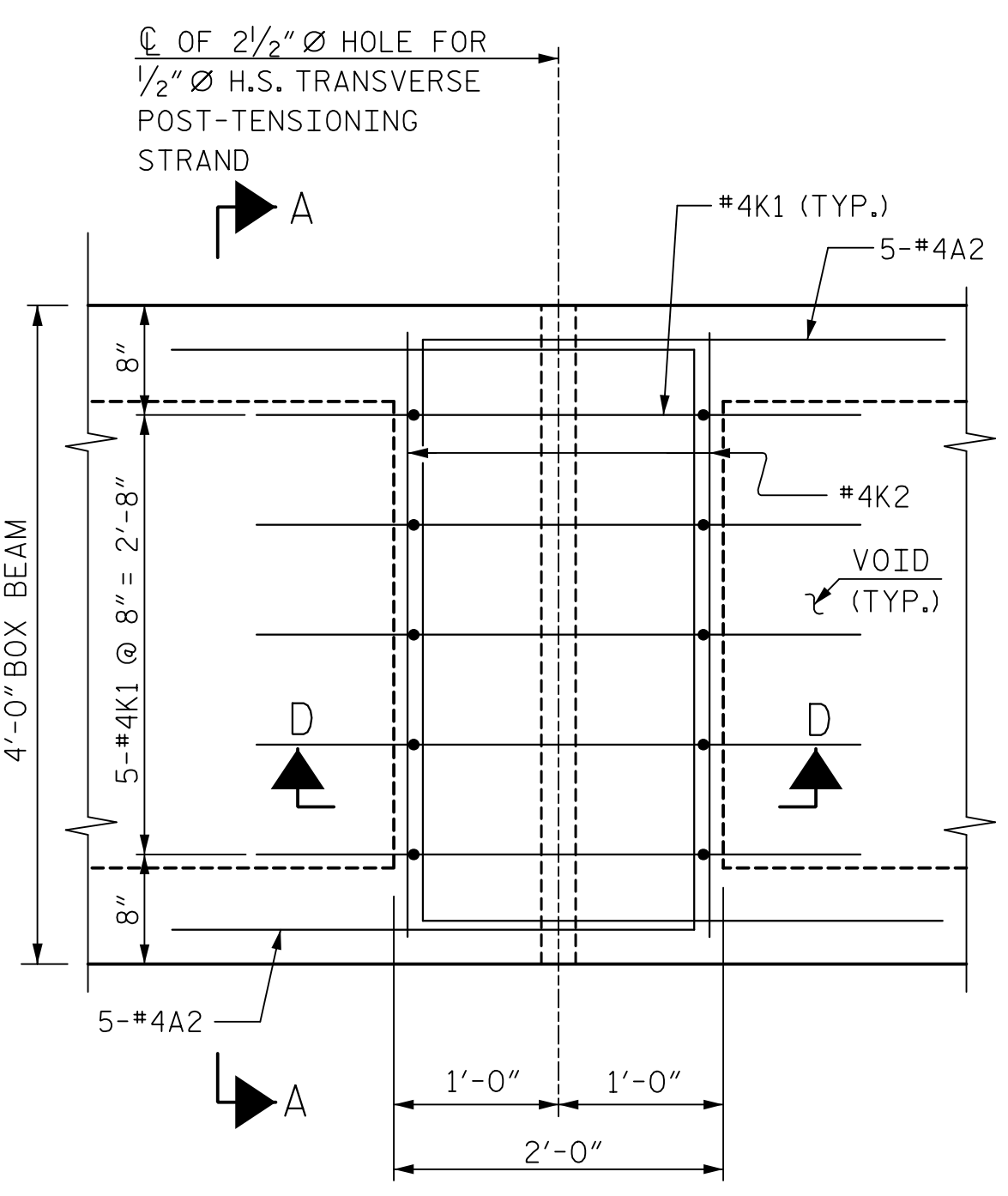


DETAIL "C"

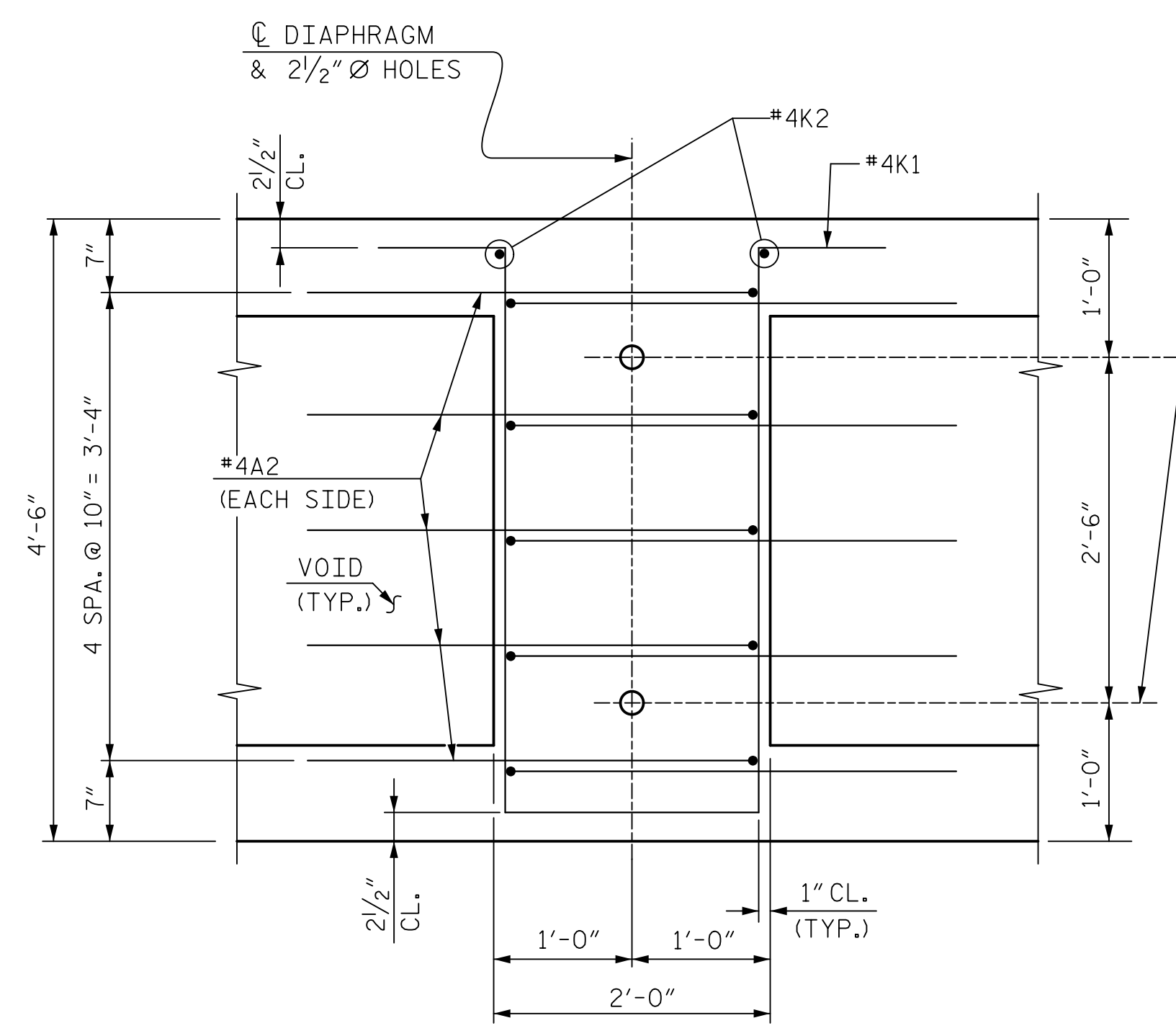


PART PLAN

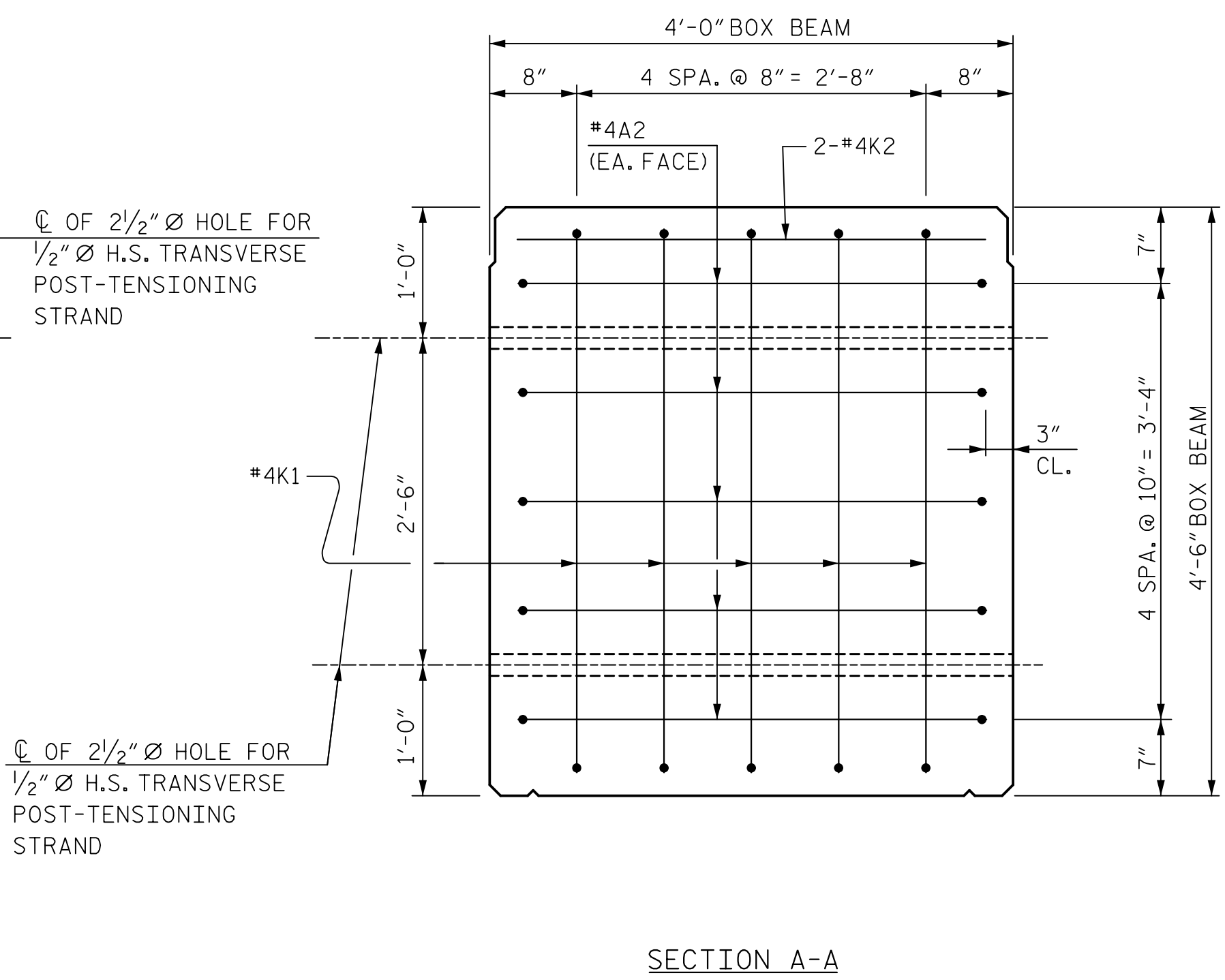
GROUTED RECESS DETAIL AT  
END OF POST-TENSIONED STRANDS  
OF EXTERIOR BOX BEAM



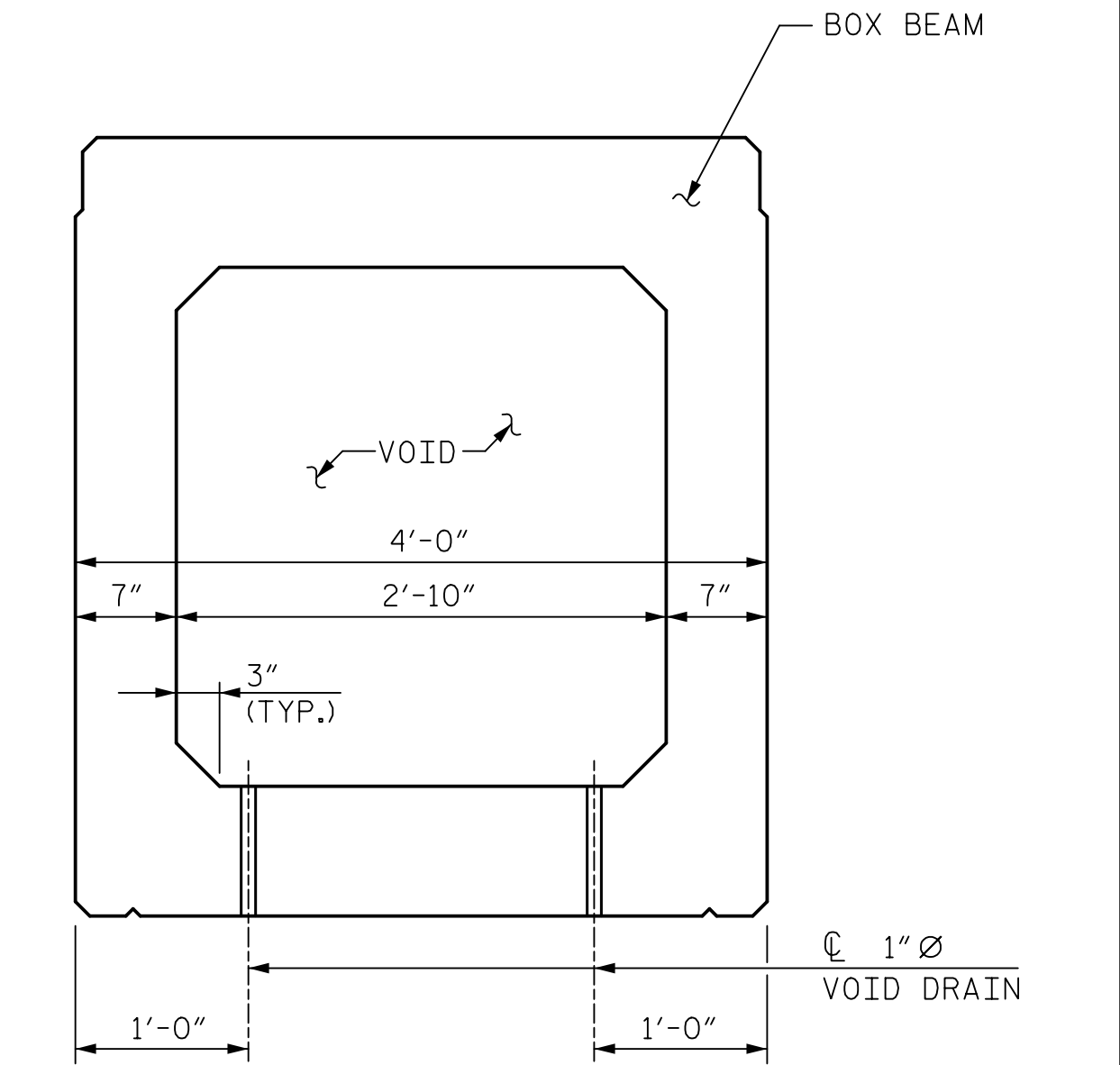
PLAN



SECTION D-D



SECTION A-A  
VOIDS NOT SHOWN



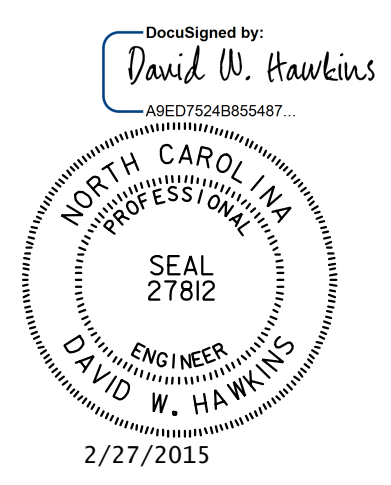
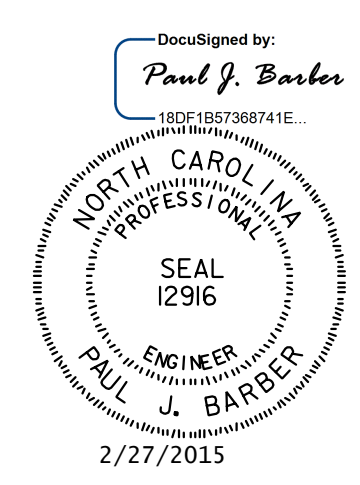
SECTION B-B

VOID DRAIN DETAILS  
(DIMENSIONS SHOWN ARE TYPICAL FOR EACH VOID)

PROJECT NO. P-4900A  
ROBESON COUNTY  
 STATION: POS 22+07.07 -L-  
 MILE POST: 0.23

DIAPHRAGM DETAILS

#5 "S" BARS NOT SHOWN. #5 "S" BARS MAY BE SHIFTED SLIGHTLY TO CLEAR 2 1/2" Ø HOLE.



**HNTB** HNTB NORTH CAROLINA, P.C.  
 License No. C-1554  
 343 E. Six Forks Rd., Suite 200, Raleigh, N.C. 27609

DRAWN BY M. WRIGHT DATE 8/14  
 CHECKED BY P. BARBER DATE 9/14 DWG. NO. 8

STATE OF NORTH CAROLINA DEPARTMENT OF TRANSPORTATION RALEIGH					
SUPERSTRUCTURE					
DIAPHRAGM DETAILS					
REVISIONS					
NO.	BY:	DATE:	NO.	BY:	DATE:
1			3		
2			4		
SHEET NO.					S-8
TOTAL SHEETS					54