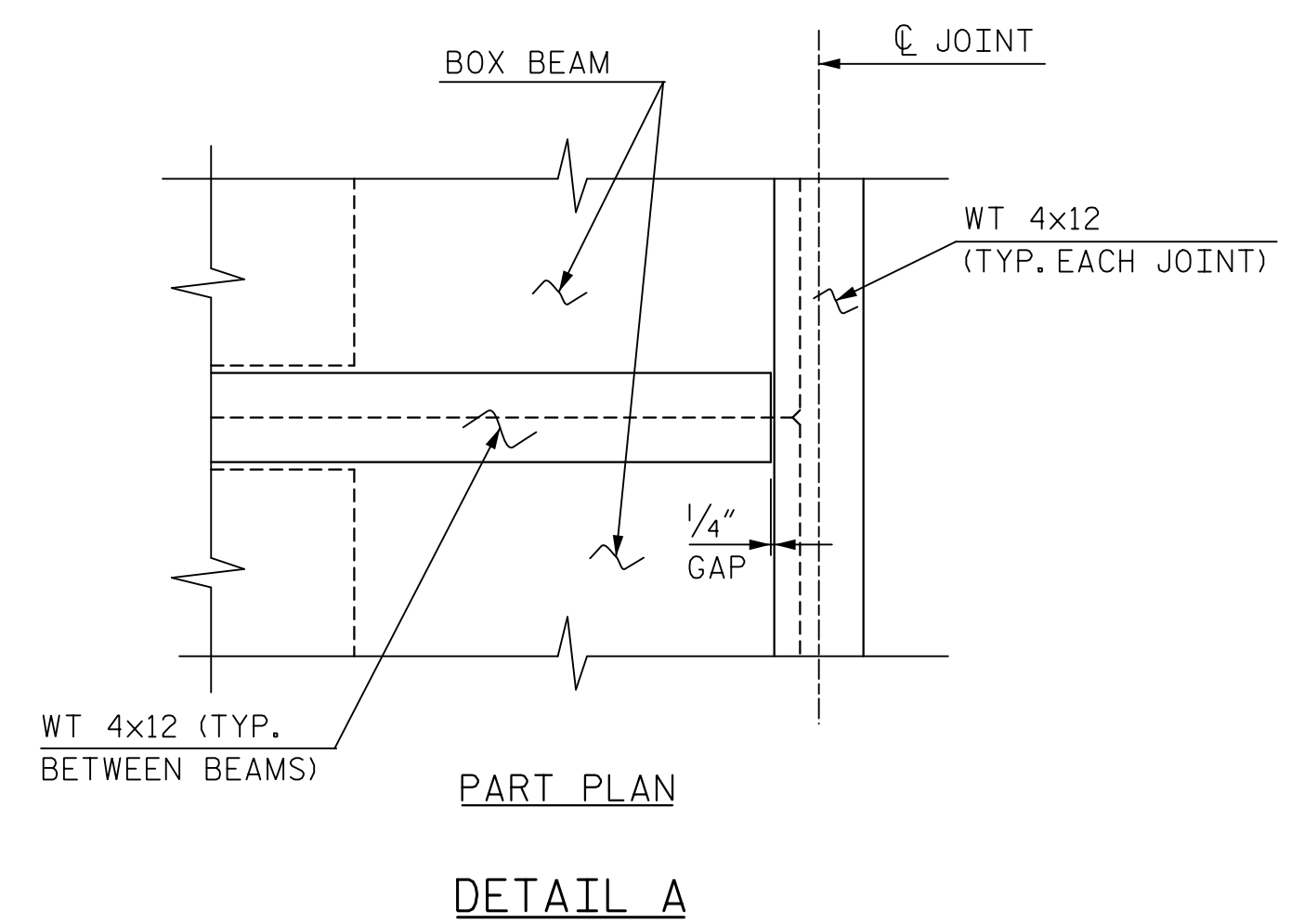
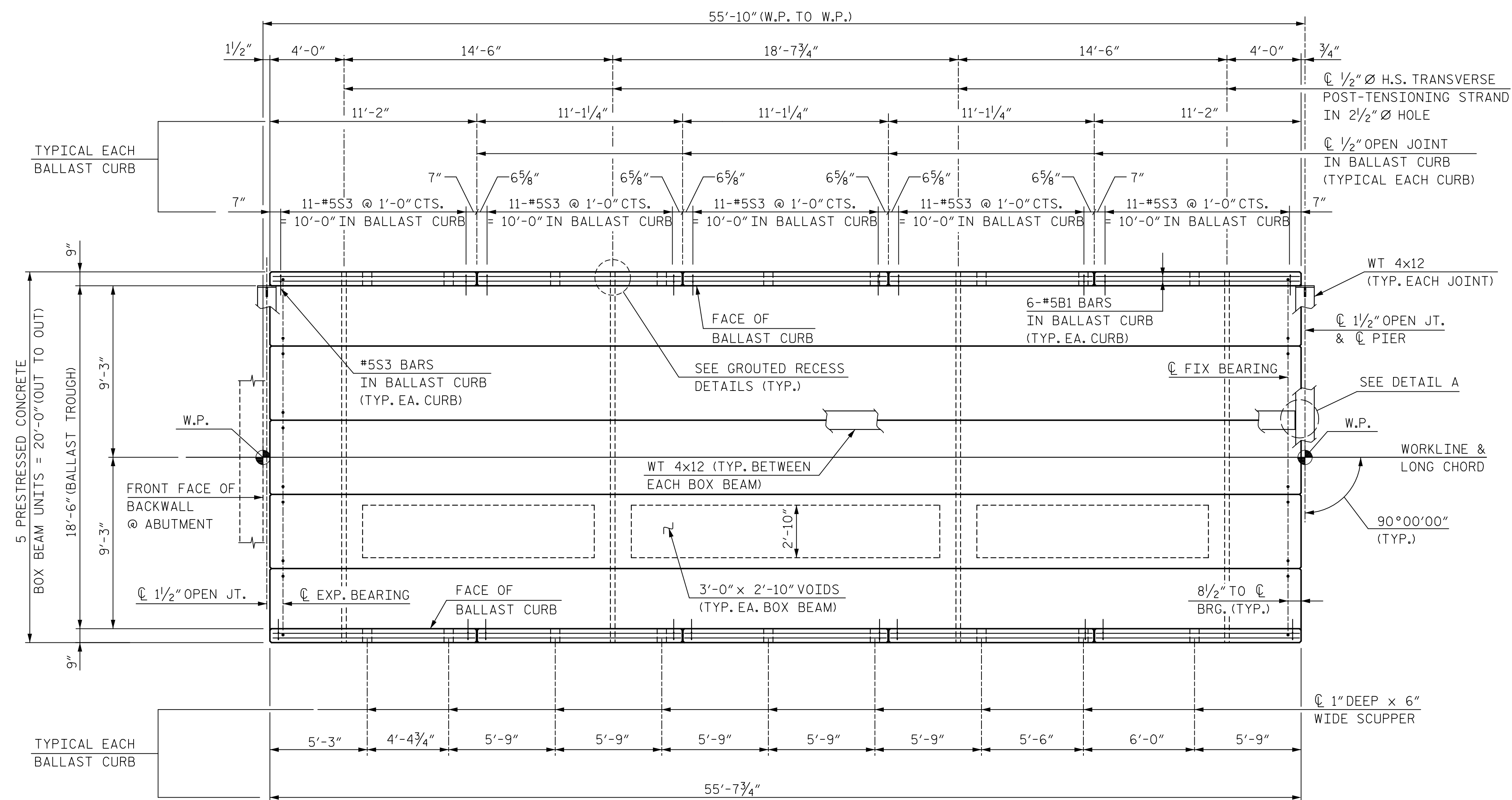


**NOTES:**  
 FOR GROUDED RECESS DETAILS, SEE "DIAPHRAGM DETAILS" SHEET.

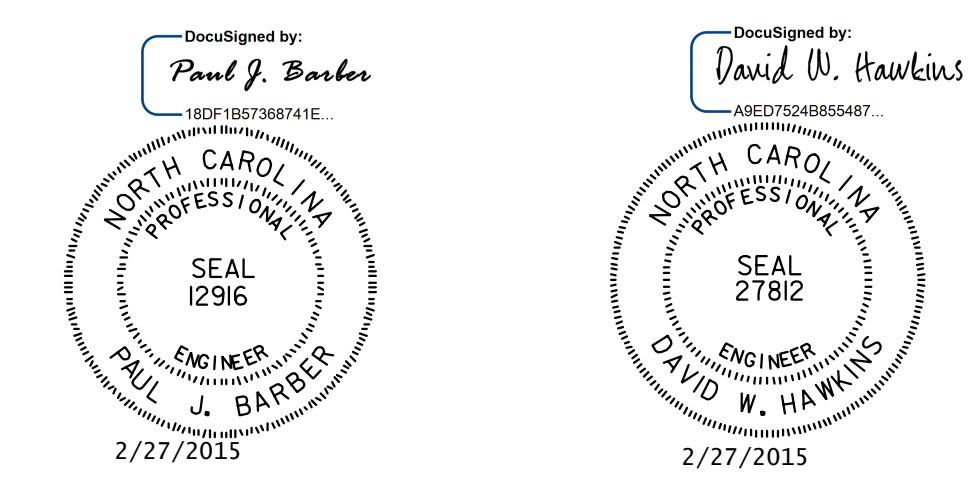
FOR BALLAST CURB AND HANDRAIL DETAILS, SEE "BOX BEAM SUMMARY AND HANDRAIL DETAILS" SHEET.

SCUPPER LOCATIONS MAY BE ADJUSTED SLIGHTLY IN FIELD TO AVOID "S3" BARS FROM BOX BEAM. CARE SHALL BE TAKEN TO RELOCATE ANY SCUPPERS AWAY FROM DIAPHRAGM GROUDED RECESSES AND OPEN JOINTS IN BALLAST CURB.



TYPICAL PLAN OF END SPAN  
 (SPAN A SHOWN, SPAN B OPPOSITE HAND)

PROJECT NO. P-4900A  
ROBESON COUNTY  
 STATION: POS 22+07.07 -L-  
 MILE POST: 0.23



STATE OF NORTH CAROLINA  
 DEPARTMENT OF TRANSPORTATION  
 RALEIGH  
 SUPERSTRUCTURE  
 PLAN OF SPANS A AND B

<b>HNTB</b> HNTB NORTH CAROLINA, P.C. License No. C-1554 343 E. Six Forks Rd., Suite 200, Raleigh, N.C. 27609		REVISIONS		SHEET NO.
DRAWN BY: J. BAYNE	DATE: 8/14	NO. 1	BY: [ ]	S-5
CHECKED BY: P. BARBER	DATE: 9/14	NO. 2	DATE: [ ]	
			NO. 3	TOTAL SHEETS
			NO. 4	