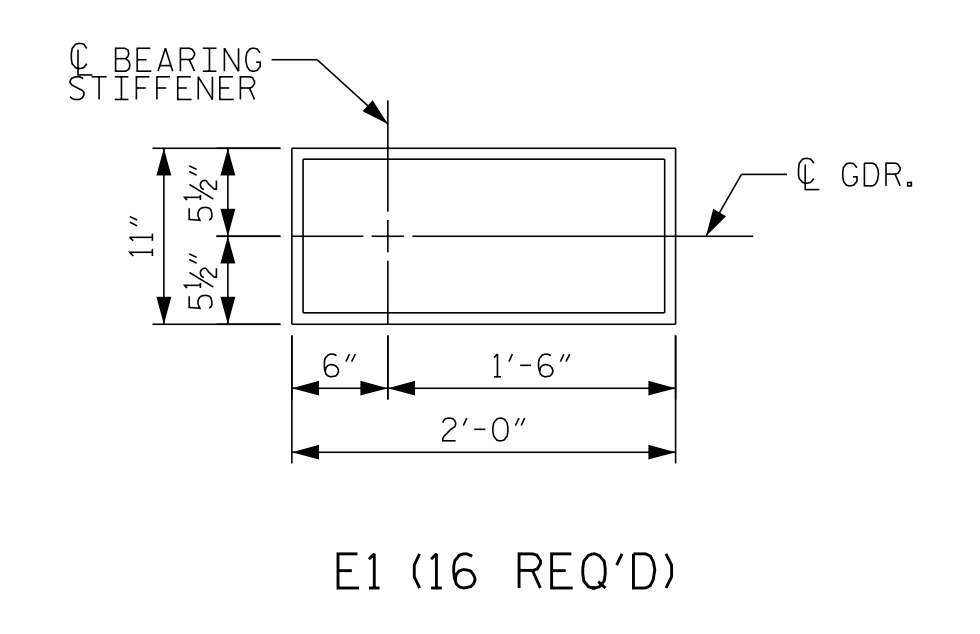
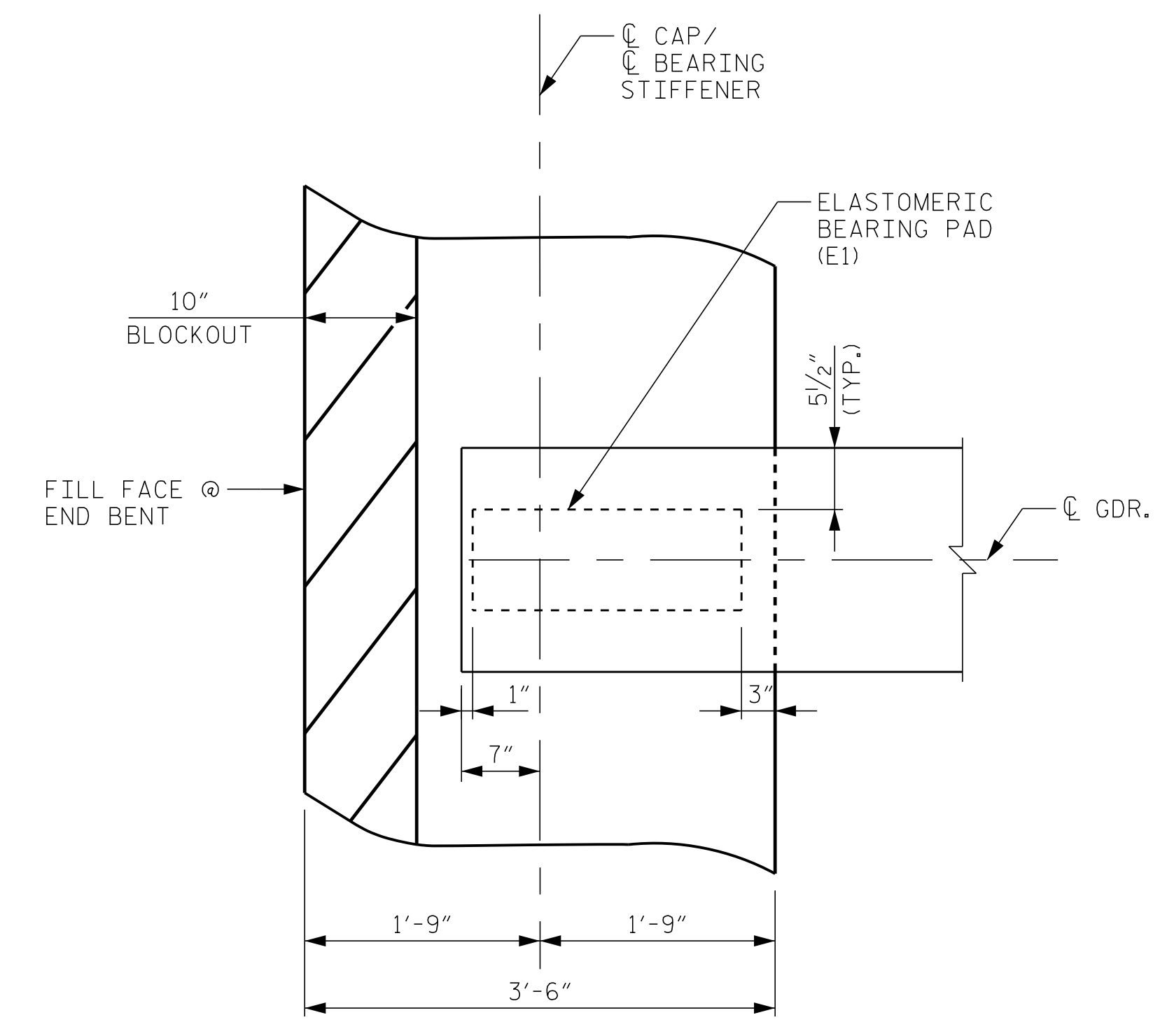
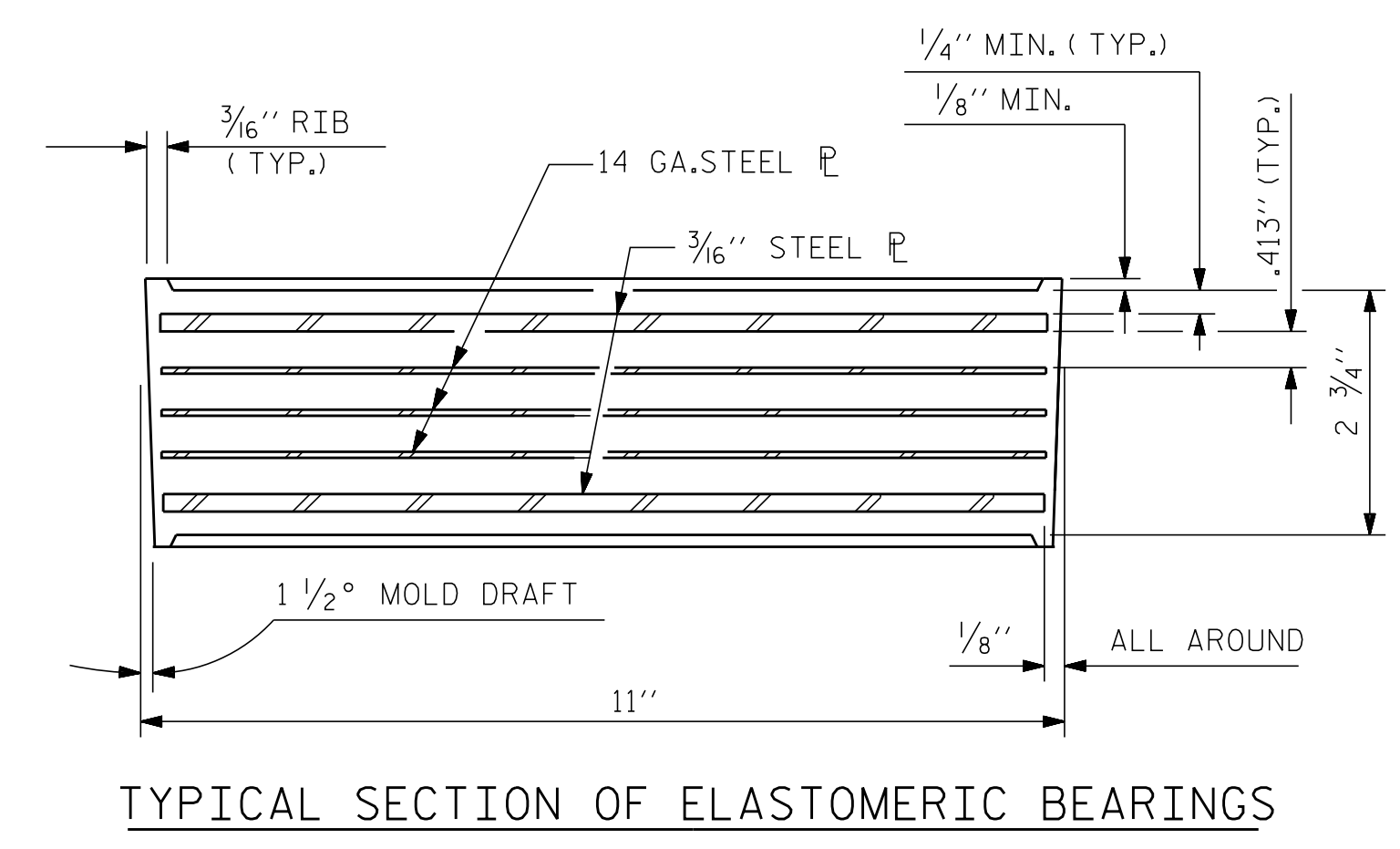
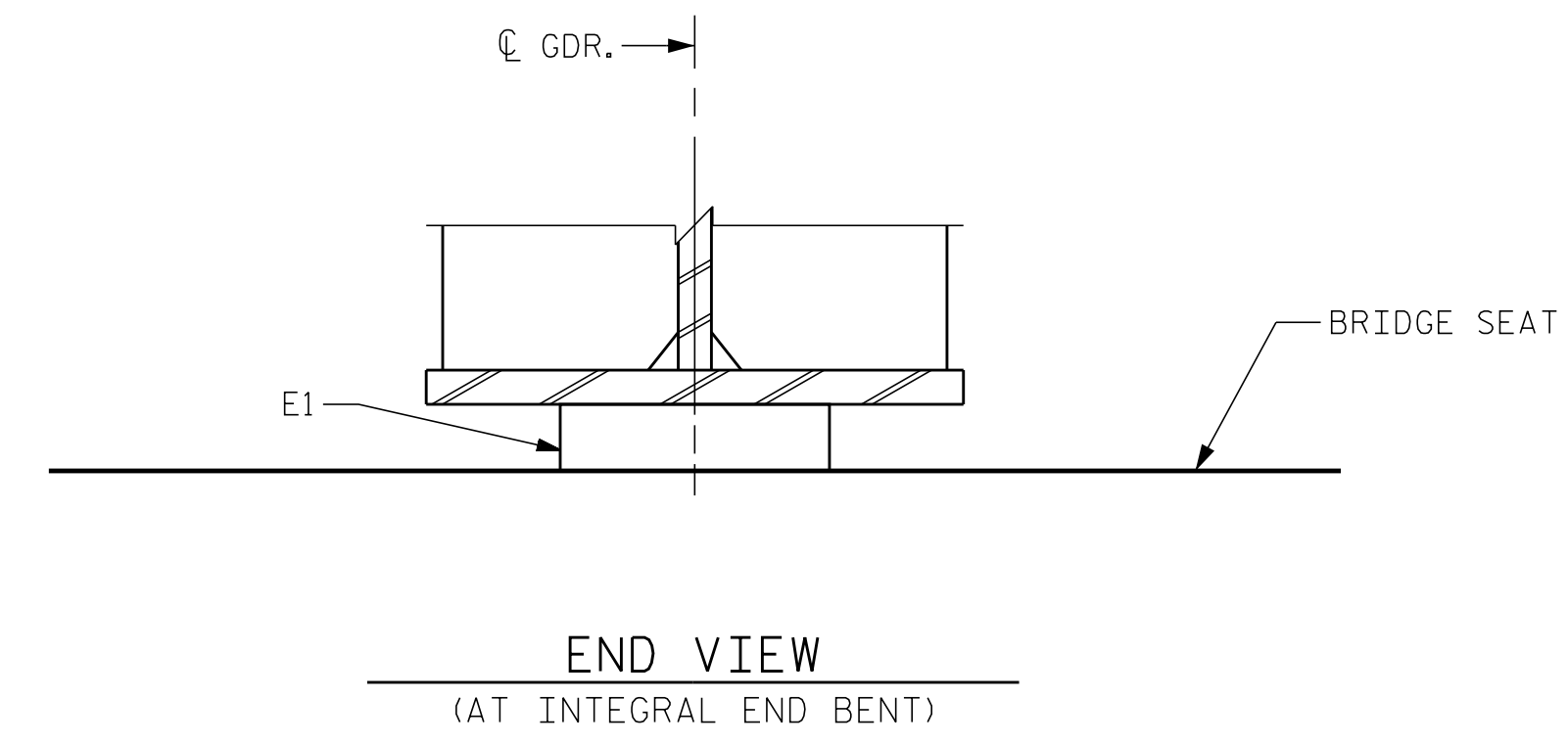


NOTES

THE ELASTOMER IN THE STEEL REINFORCED BEARINGS SHALL HAVE A SHEAR MODULUS OF 0.160 KSI, IN ACCORDANCE WITH AASHTO M251.
 FOR STEEL REINFORCED ELASTOMERIC BEARINGS, SEE SPECIAL PROVISIONS.

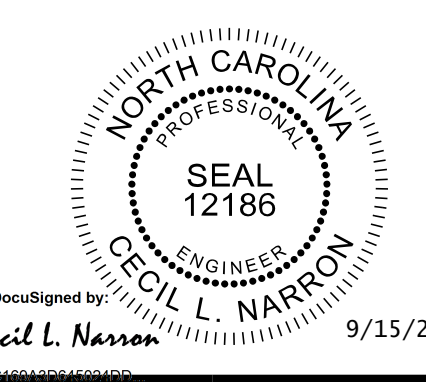


PLAN VIEW OF ELASTOMERIC BEARING
 NCDOT- TYPE VII
 INTEGRAL END BENT

PLAN VIEW AT INTEGRAL END BENT
 (END BENT 1 SHOWN, END BENT 2 SIMILAR)

PROJECT NO. U-3315
PITT COUNTY
 STATION: 65+56.61 -L-
16+96.14 -Y10-

STATE OF NORTH CAROLINA
 DEPARTMENT OF TRANSPORTATION
 RALEIGH
**ELASTOMERIC BEARING
 DETAILS**



Kimley»Horn
 333 Fayetteville Street, Suite 600
 Raleigh, NC 27601-1772
 Phone (919) 835-1494
 NC LICENSE # F-0102

REVISIONS						SHEET NO.
NO.	BY:	DATE:	NO.	BY:	DATE:	S-15
1			3			TOTAL SHEETS
2			4			33

DRAWN BY: <u>J. I. KIMBLE</u>	DATE: <u>9/14</u>
CHECKED BY: <u>J. C. WILSON</u>	DATE: <u>9/14</u>
DESIGN ENGINEER OF RECORD: <u>C.L. NARRON</u>	DATE: <u>9/14</u>

K:\BIDI_Structures\Bridges\N.C. 011036175_U3315-10th.St. Greenville\Con\egm\SS15.dgn 9/12/2014