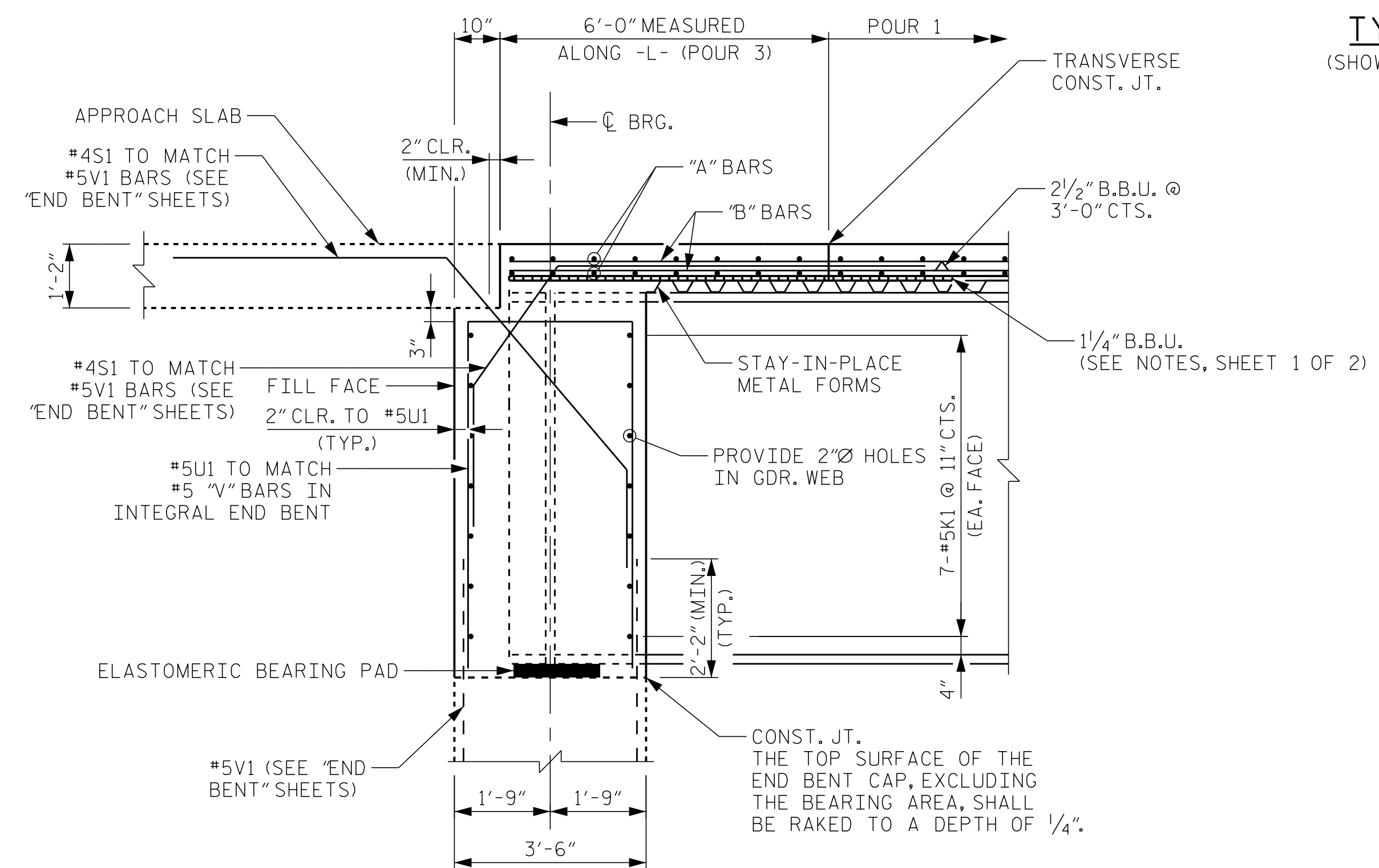
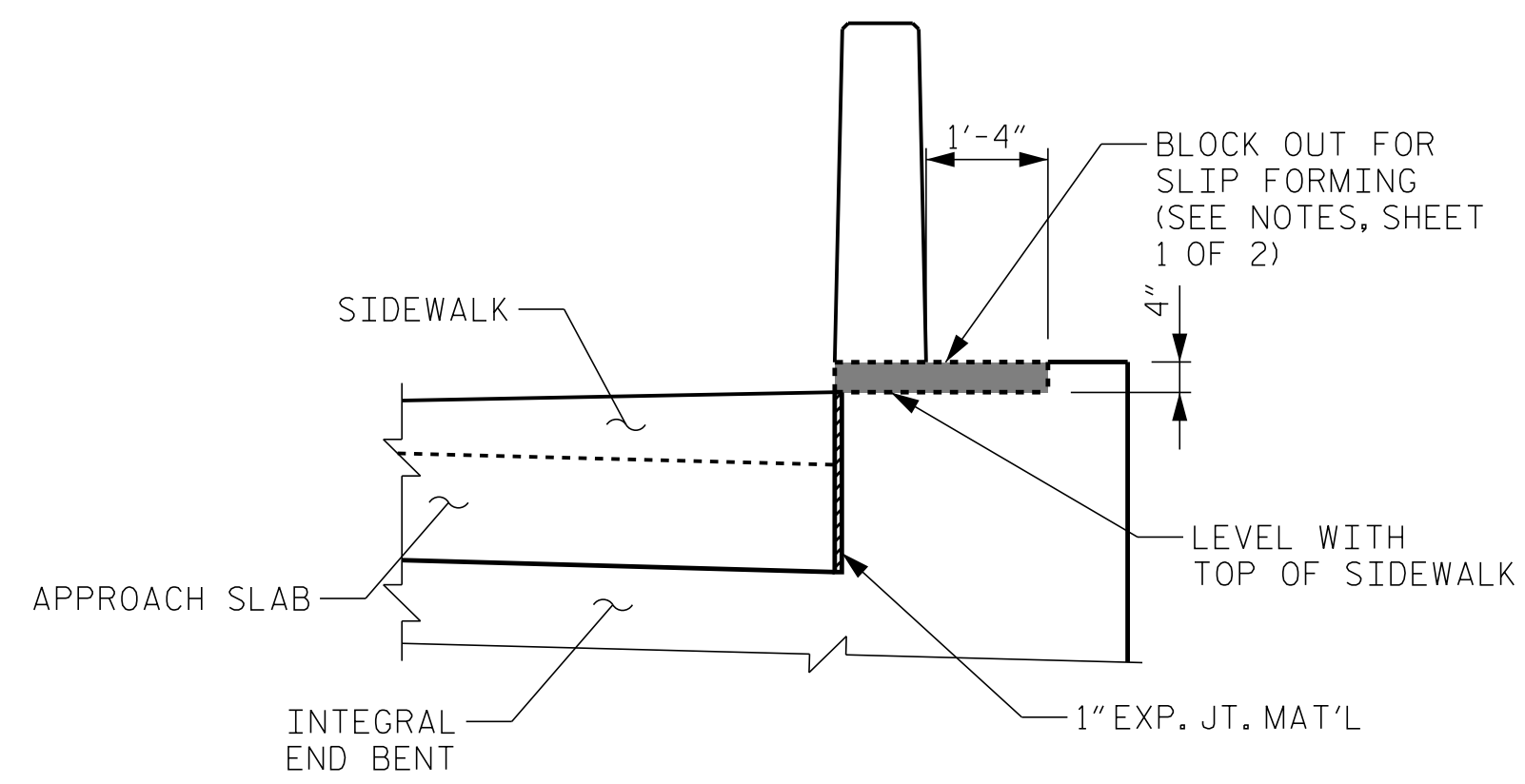


NOTE:
LIGHT POLES NOT SHOWN FOR CLARITY, SEE "LIGHT POLE DETAILS" SHEETS.

TYPICAL HALF SECTION
(SHOWING INTEGRAL END BENT DIAPHRAGM)

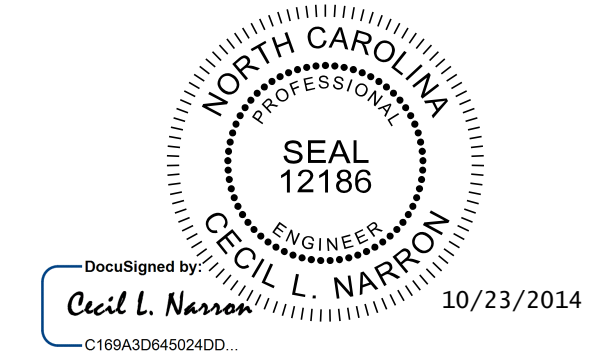


SECTION THRU INTEGRAL END BENT
(END BENT 1 SHOWN, END BENT 2 SIMILAR)



BLOCK OUT DETAIL

PROJECT NO. U-3315
PITT COUNTY
 STATION: 65+56.61 -L-
16+96.14 -Y10-
 SHEET 2 OF 2



STATE OF NORTH CAROLINA
 DEPARTMENT OF TRANSPORTATION
 RALEIGH
 SUPERSTRUCTURE
 TYPICAL SECTION

Kimley»Horn
 333 Fayetteville Street, Suite 600
 Raleigh, NC 27601-1772
 Phone (919) 835-1494
 NC LICENSE # F-0102

REVISIONS						SHEET NO.
NO.	BY:	DATE:	NO.	BY:	DATE:	S-7
1			3			TOTAL SHEETS
2			4			33

10/22/2014 K:\BIDI_Structures\Bridges\NA\01036175_U3315-10th.St_Greenville_Cov\egm\ST.dgn

DRAWN BY: J. I. KIMBLE DATE: 9/14
 CHECKED BY: J. C. WILSON DATE: 9/14
 DESIGN ENGINEER OF RECORD: C.L. NARRON DATE: 9/14