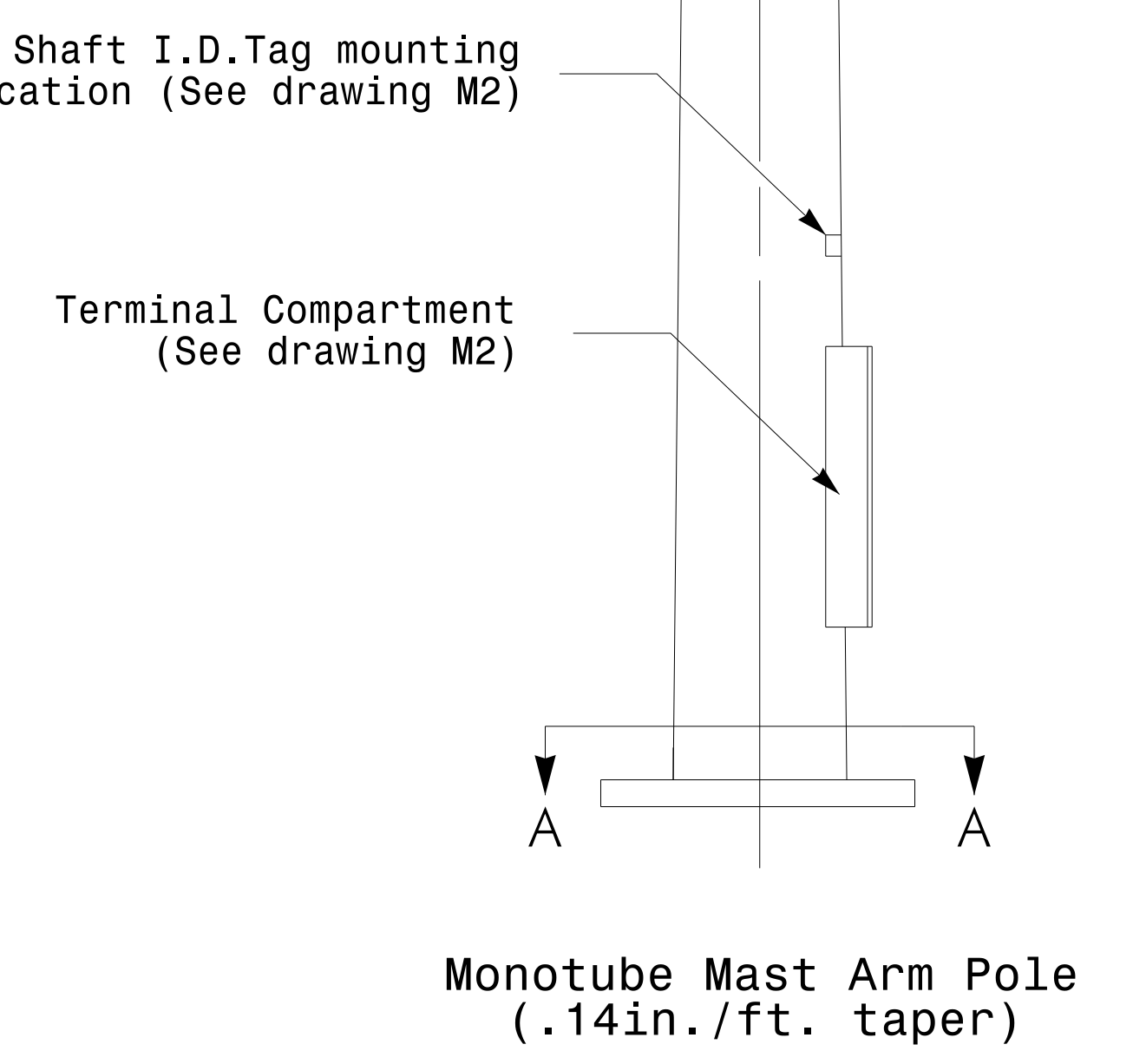
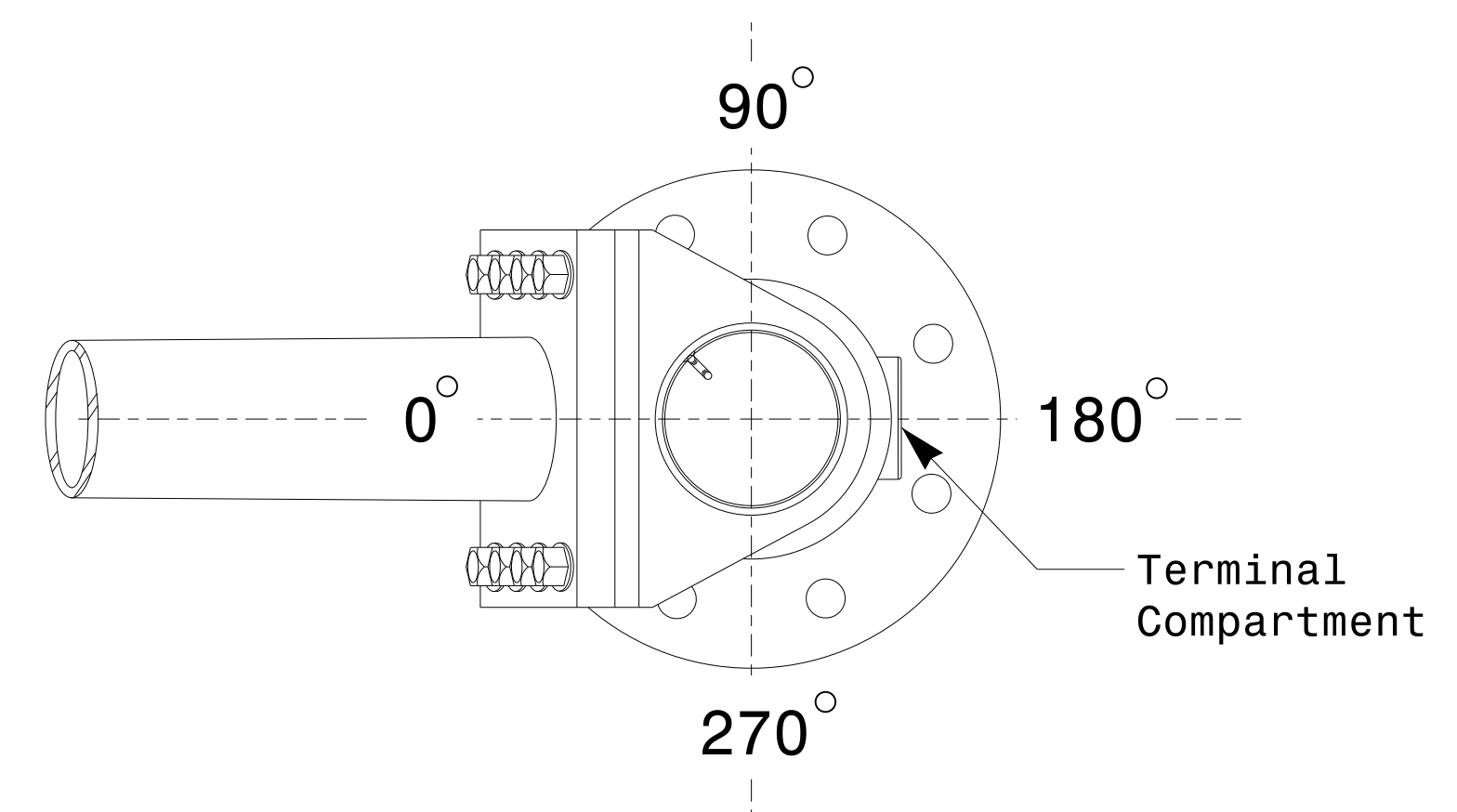
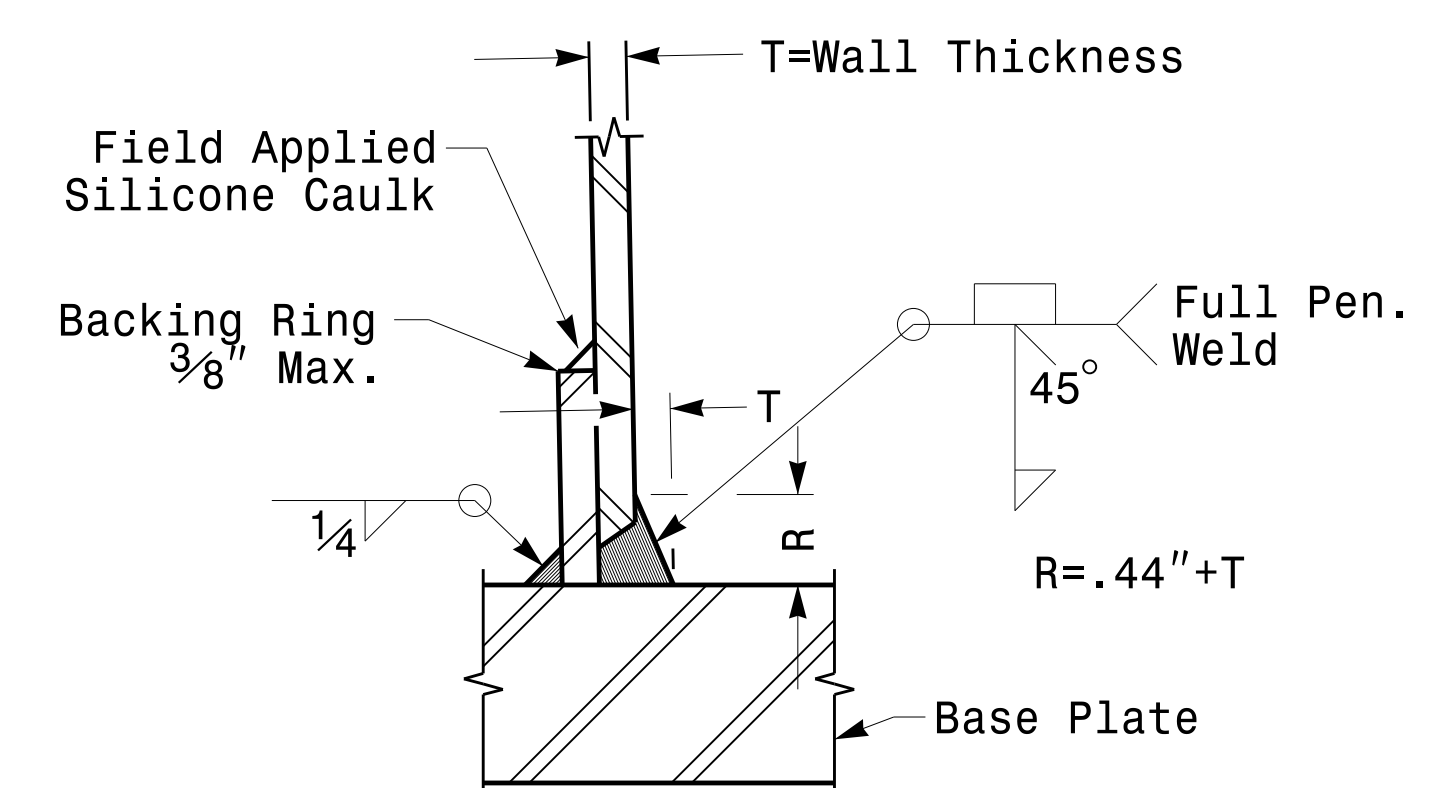


Slip Fit Joint Detail for Mast Arm



Fabrication Details – Mast Arm Poles

26-AUG-2014 08:50
S:\TDS\115\SIG\Signal Design\Section\Eastern Region\M4_Fab_Details\MastArms.dgn
T:\jll\owdy

	<p>Typical Fabrication Details for Mast Arm Poles</p>		
	<p>PLAN DATE: AUGUST 2013 PREPARED BY: N. BITTING</p>	<p>DESIGNED BY: C.F. ANDREWS REVIEWED BY: D.C. SARKAR</p>	
<p>SCALE: 0 NA NONE</p>	<p>REVISIONS</p>	<p>INIT. DATE</p>	<p>SIG. INVENTORY NO.</p>