	PROJECT REFERENCE NO.	SHEET NO.
	U-3315	E-10
	RW SHEET NO.	
STREET LIGHTING PLAN		
Kimley»Horn ©2014		
P.O. BOX 33068 • RALEIGH, N.C. 27636-3068		
RIGHT-OF-WAY REV.		
CONST. REV.		

STREETWORKS™

DESCRIPTION

The Traditionaire LED outdoor luminaire displays the old-fashioned charm of traditional area lighting, enhancing any setting with distinctive styling. As a decorative luminaire, the Traditionaire LED tastefully complements the architectural and environmental design of parks and roadways. The high-lumen downlight configuration uses Cooper Lighting's patented LightBAR™ technology to deliver uniform and efficient illumination to pedestrian and roadway applications.

Catalog #	UTLD B03 LED E U SL3	Type
Project		
Comments		Date
Prepared by		

SPECIFICATION FEATURES

Construction

Hinged (stainless steel hinge pins) die-cast aluminum housing and cover with cupola. 3G vibration tested to ensure strength of construction and longevity in application.

Optics

Choice of several patented, high-efficiency AccuLED Optics™ elements manufactured from injection-molded acrylic. Optics are precisely designed to shape the distribution maximizing efficiency and application spacing. The AccuLED Optics system create consistent distributions with the scalability to meet customized application requirements. Offered standard in 4000K (+/- 275K) CCT and nominal 70 CRI.

Electrical

LED drivers are potted and equipped with heat sinks for optimal performance and prolonged life. Standard drivers feature electronic universal voltage (120V-277V/50-60Hz), greater than 0.90 power factor, and operating temperature range from -30°C to +40°C. Includes surge protection for transient line surges up to 10kV. Standard three-position tunnel-type terminal block. System is rated for 90% lumen maintenance at 60,000 hours (compliant with IESNA TM-21).

Mounting

Self-aligning pole-top fitter for 3" O.D. pole tops or vertical tenons. Square headed 1-1/4" polymer coated mounting bolts with a lock nut.

Finish

Cast components finished in a Super durable black TGIC polyester powder coat paint, 2.5 mil nominal thickness for superior protection against fade and wear. Optional colors include: bronze, grey and white. RAL and custom color matches available.

Warranty

Five-year warranty.

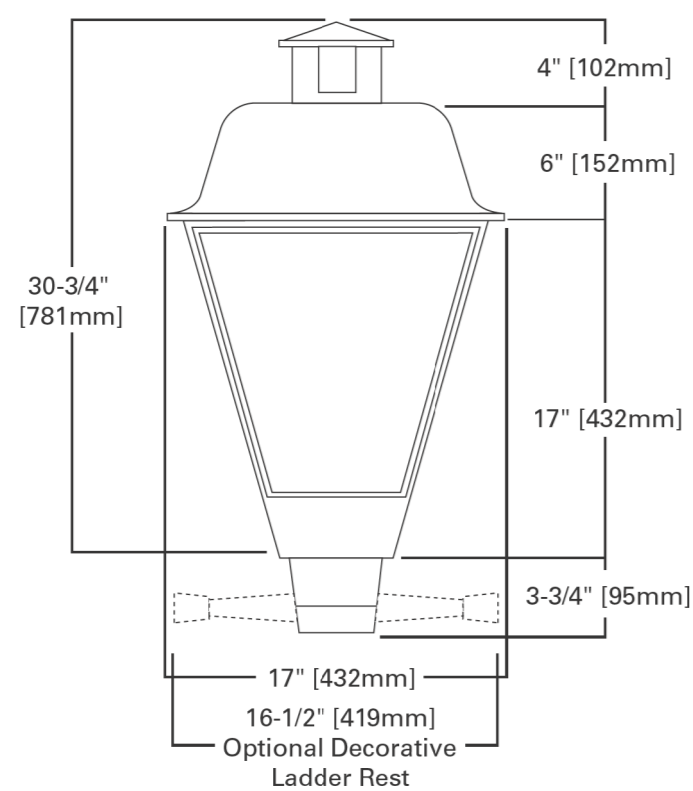


UTLD TRADITIONAIRE LED DOWNLIGHT

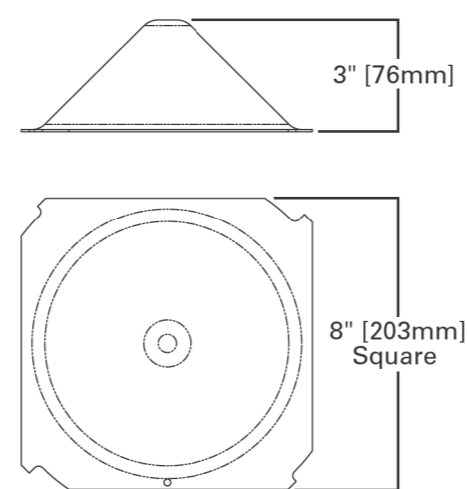
Solid State LED

DECORATIVE POST TOP
LUMINAIRE

DIMENSIONS



OPTIONAL BIRD CONE



CERTIFICATION DATA

-30°C to 40°C Ambient Temperature Range
LM79/LM80 Compliant

EPA

Effective Projected Area:
2.3 Sq. Ft.

SHIPPING DATA

Approximate Net Weight:
37 lbs. (17 kgs.)



ADW120809
2014-08-25 11:00:05

POWER AND LUMENS (STANDARD CONFIGURATION - NO LENSES OR BIRD CONE)

LED LightBARS	B01	B02	B03	C01	C02	C03
Number of LEDs	21 LEDs	21 LEDs	21 LEDs	7 LEDs	7 LEDs	7 LEDs
Power (Wattage)	27	51	73	27	56	79
Current @ 120V (A)	0.23	0.43	0.61	0.23	0.47	0.66
Current @ 277V (A)	0.10	0.18	0.26	0.10	0.20	0.29
Optics						
T2A	Lumens	1,999	4,036	5,745	1,568	3,167
	BUG Rating	1-0-1	1-0-1	2-0-2	1-0-1	1-0-1
T3A	Lumens	2,038	4,116	5,858	1,599	3,230
	BUG Rating	1-0-1	2-0-2	2-0-2	1-0-1	1-0-1
SL2	Lumens	1,959	3,955	5,629	1,537	3,104
	BUG Rating	1-0-1	1-0-1	1-0-2	1-0-1	1-0-1
SL3	Lumens	2,022	4,083	5,811	1,587	3,204
	BUG Rating	1-0-1	1-0-1	1-0-2	0-0-1	1-0-1
5MQ	Lumens	2,149	4,339	6,175	1,686	3,405
	BUG Rating	1-0-1	2-0-1	3-0-1	1-0-1	2-0-1
5WQ	Lumens	2,115	4,272	6,080	1,660	3,352
	BUG Rating	2-0-1	3-0-1	3-0-1	1-0-1	2-0-1

ORDERING INFORMATION

Sample Number: UTLD B03LEDEUT3S

Product Family	Number of LightBARS ^{1,2}	Source Type	Driver	Voltage	Distribution
UTLD=Traditionaire™ LED Downlight	B01=(1) 21 LED LightBARS B02=(2) 21 LED LightBARS B03=(3) 21 LED LightBARS C01=(1) 7 LED LightBARS C02=(2) 7 LED LightBARS C03=(3) 7 LED LightBARS	LED=Solid State Light Emitting Diodes	E=Non-Dimming D=Dimming	U=Universal (120-277V) 8=480V 9=347V	T2A=Type II Area T3A=Type III Area SL2=Type II w/Spill Control SL3=Type III w/Spill Control 5MQ=Type V Square Medium 5WQ=Type V Square Wide
Options (Add as Suffix)					Accessories (Order Separately)
4=Internal NEMA Photocontrol Receptacle W=20' #10 Leads S=Snap Latches for Tool-less Light Replacement U=UL/CSA Listed J=Factory Installed Ladder Rest 7060=70 CRI/6000K CCT ³ 8030=80 CRI/3000K CCT ³ 2L=Two Circuits ⁴ A=Acrylic Lens Panels ⁵ LCF=LightBAR Cover Plate Matches Housing Finish BC=Bird Cone ⁵ AP=Grey BZ=Bronze WH=White					TA1BK=Decorative Ladder Rest for Field Installation OA1222=10kV Surge Replacement Module

Notes:

- 21 LED LightBAR driven at 350mA, 7 LED LightBAR driven at 1A.
- Standard 4000K CCT and nominal 70 CRI.
- Consult factory for lead times and lumen multiplier.
- Low-level output varies by bar count. Consult factory. Requires two or more LightBARS.
- Acrylic lens panels and bird cone can not be ordered together.

Cooper Lighting
by **EATON**

Cooper Lighting
by **EATON**

Eaton
1000 Eaton Boulevard
Cleveland, OH 44122
United States
Eaton.com

Eaton's Cooper Lighting Business
1121 Highway 74 South
Fayetteville, GA 30269
P: 770-486-4800
www.cooperlighting.com

Specifications and dimensions subject to change without notice.

ADW120809
2014-08-25 11:00:05

K:\RAL_Roadway\01036175_U-3315\Lighting\Electrical\Lighting Design\Lighting Plans\Steeis\U3315_LE_E10.dgn

5/11/2015