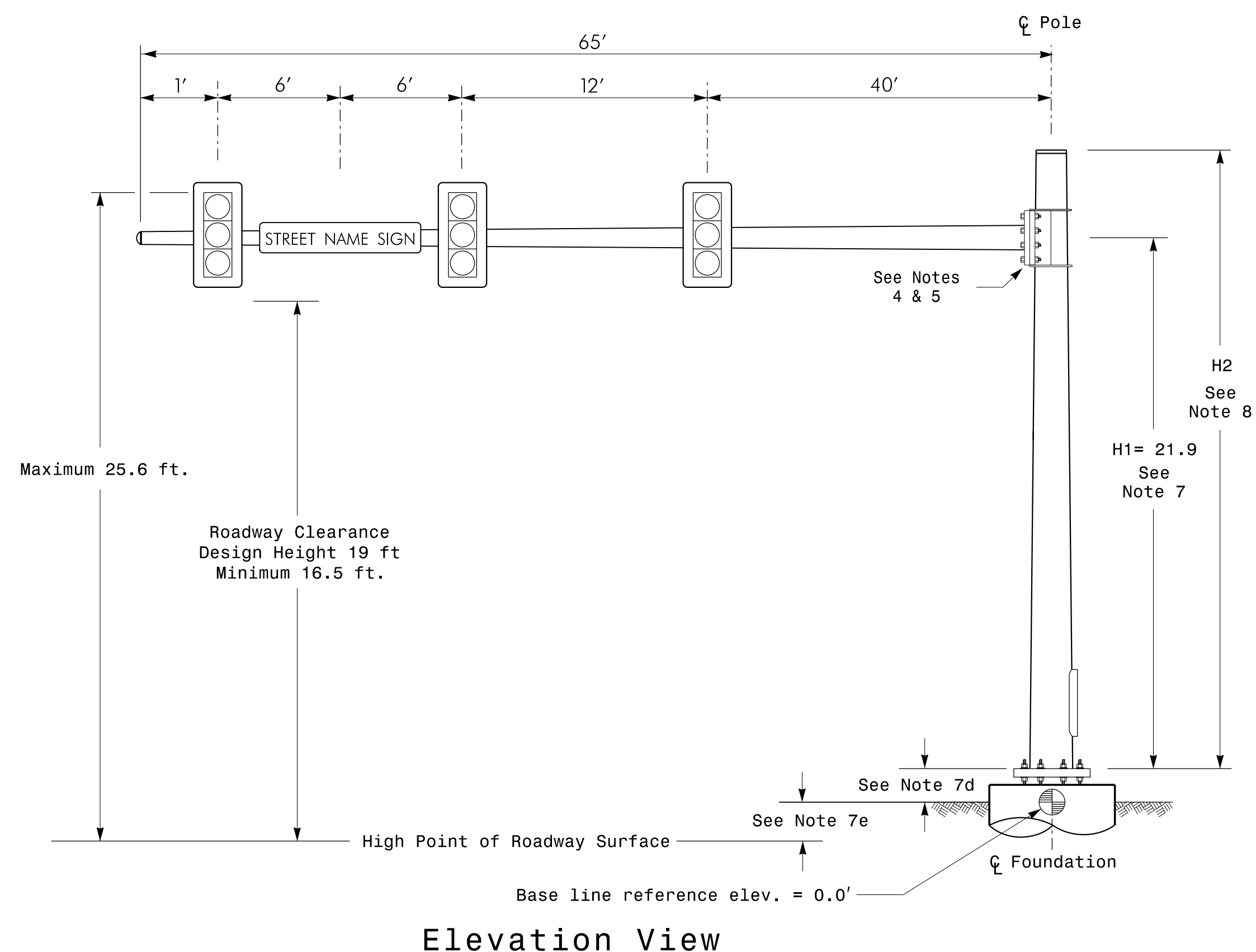


Design Loading for METAL POLE NO. 22



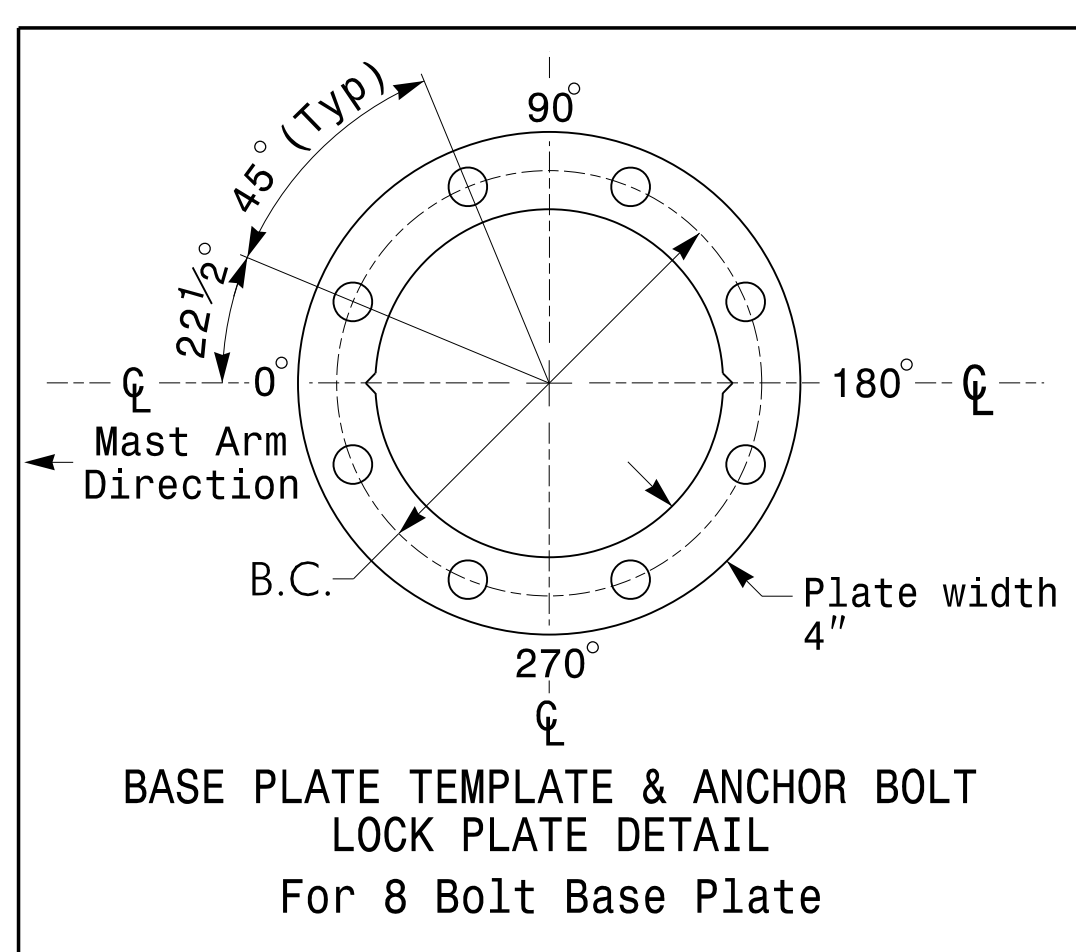
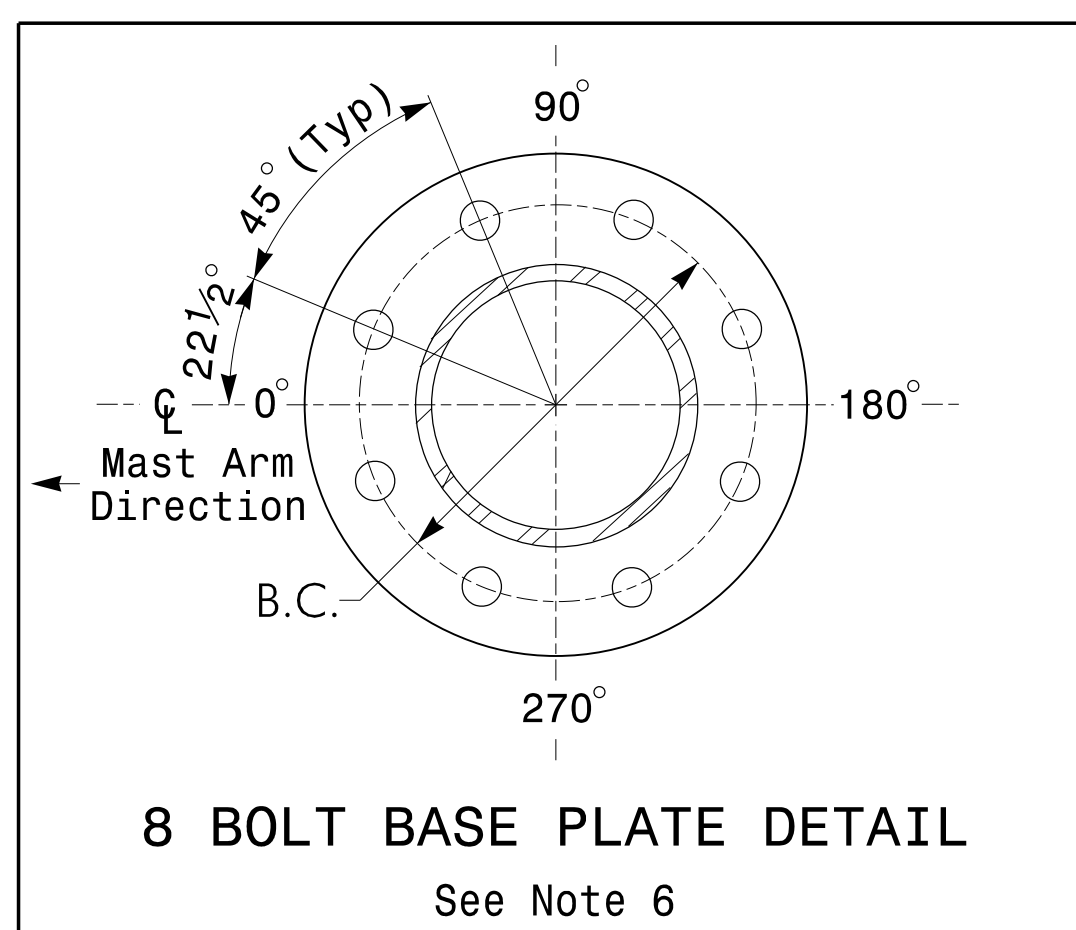
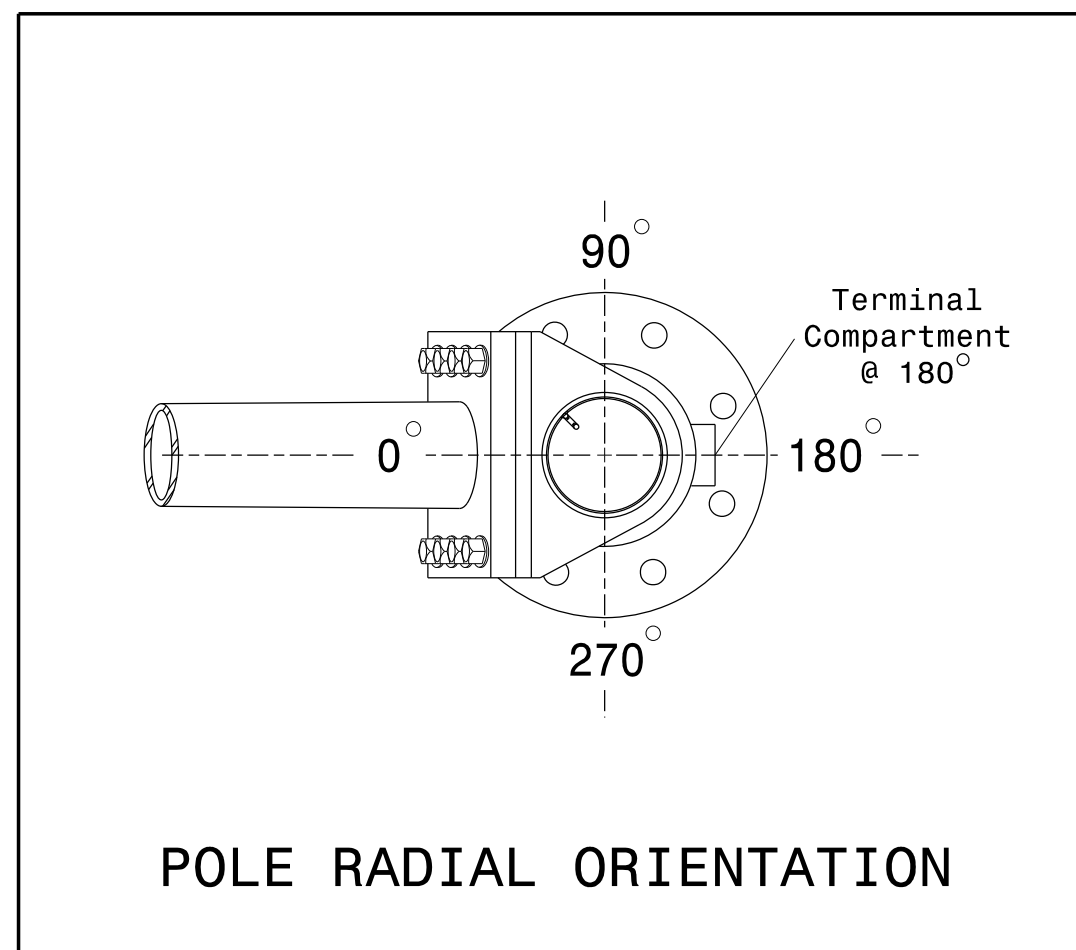
**SPECIAL NOTE**  
The contractor is responsible for verifying that the mast arm attachment height (H1) will provide the "Design Height" clearance from the roadway before submitting final shop drawings for approval. Verify elevation data below which was obtained by field measurement or from available project survey data.

**Elevation Data for Mast Arm Attachment (H1)**

|  |          |  |
|--|----------|--|
| Elevation Differences for:                                   | Pole 22  |  |
| Baseline reference point at $\phi$ Foundation @ ground level | 0.0 ft.  |  |
| Elevation difference at High point of roadway surface        | +0.8 ft. |  |
| Elevation difference at Edge of travelway or face of curb    | -0.5 ft. |  |

**MAST ARM LOADING SCHEDULE**

| LOADING SYMBOL | DESCRIPTION   | AREA      | SIZE            | WEIGHT |
|----------------|---|-----------|-----------------|--------|
|                | RIGID MOUNTED SIGNAL HEAD<br>12"-4 SECTION-WITH BACKPLATE | 11.5 S.F. | 25.5"W X 66.0"L | 74 LBS |
|                | RIGID MOUNTED SIGNAL HEAD<br>12"-3 SECTION-WITH BACKPLATE | 9.3 S.F.  | 25.5"W X 52.5"L | 60 LBS |
|                | PEDESTRIAN SIGNAL HEAD<br>WITH MOUNTING HARDWARE          | 2.2 S.F.  | 18.5"W X 17.0"L | 21 LBS |
|                | SIGN<br>RIGID MOUNTED                                     | 7.5 S.F.  | 30.0"W X 36.0"L | 14 LBS |
|                | STREET NAME SIGN<br>RIGID MOUNTED                         | 16.0 S.F. | 24.0"W X 96.0"L | 36 LBS |



**NOTES**

**DESIGN REFERENCE MATERIAL**

- Design the traffic signalstructure and foundation in accordance with:
  - The 5th Edition 2009 AASHTO "Standard Specifications for Structural Supports for Highway Signs, Luminaires, and Traffic Signals, including all of the latest interim revisions.
  - The 2012 NCDOT "Standard Specifications for Roads and Structures." The latest addenda to the specifications can be found in the traffic signalproject specialprovisions.
  - The 2012 NCDOT Roadway Standard Drawings.
  - The traffic signalproject plans and specialprovisions.
  - The NCDOT "Metal Pole Standards" located at the following NCDOT website: <https://connect.ncdot.gov/resources/safety/Pages/ITS-Design-Resources.aspx>

**DESIGN REQUIREMENTS**

- Design the traffic signalstructure using the loading conditions shown in the elevation views. These are anticipated worst case "design loads" and may not represent the actual loads that will be applied at the time of the installation. The contractor should refer to the traffic signalplans for the actualloads that will be applied at the time of the installation.
- Design allsignal supports using stress ratios that do not exceed 0.9.
- The camber design for the mast arm deflection should provide an appearance of a low pitched arch where the tip or the free end of the mast arm does not deflect below horizontal when fully loaded.
- A clamp-type bolted mast arm-to-pole connection may be used instead of the welded ring stiffened box connection shown as long as the connection meets all of the design requirements.
- Design base plate with 8 anchor bolt holes. Provide 2 inch x 60 inch anchor bolts.
- The mast arm attachment height (H1) shown is based on the following design assumptions:
  - Mast arm slope and deflection are not considered in determining the arm attachment height as they are assumed to offset each other.
  - Signalheads are rigidly mounted and vertically centered on the mast arm.
  - The roadway clearance height for design is as shown in the elevation views.
  - The top of the pole base plate is 0.75 feet above the ground elevation.
  - Refer to the Elevation Data Chart for the elevation differences between the proposed foundation ground level and the high point of the roadway.
- The pole manufacturer will determine the totalheight (H2) of each pole using the greater of the following:
  - Mast arm attachment height (H1) plus 2 feet, or
  - H1 plus 1/2 of the totalheight of the mast arm attachment assembly plus 1 foot.
- If pole location adjustments are required, the contractor must gain approval from the Engineer as this may affect the mast arm lengths and arm attachment heights. The contractor may contact the SignalDesign Section Senior StructuralEngineer for assistance at (919) 773-2800.
- The contractor is responsible for verifying that the mast arm length shown will allow proper positioning of the signalheads over the roadway.
- The contractor is responsible for providing soilpenetration testing data (SPT) to the pole manufacturer so site specific foundations can be designed.

All metal poles and arms should be black in color as specified in the project specialprovisions.

NCDOT Wind Zone 2 (130 mph)

**ATKINS** 1616 EAST MILLBROOK ROAD, SUITE 310  
RALEIGH, NORTH CAROLINA 27609  
(919) 876-6888 NCBEES #F-0326

US 17 Business (Market Street) at Cinema Drive

Division 03 New Hanover County Wilmington

PLAN DATE: April 2014 REVIEWED BY: LM Moon

PREPARED BY: AJ Davis REVIEWED BY: MB Toth

750 N. Greenfield Place, Garner, NC 27529

SCALE: 0 N/A

SEAL: NORTH CAROLINA PROFESSIONAL ENGINEER SEAL 025892 MELISSA B. TOTH

Designed by: Melissa B. Toth 12/19/2014

SIG. INVENTORY NO. 03-1080

13-JUL-2015 10:31  
D:\Projects\101100036295\_U33388\_Kerr\_Sig\_LTS\Signal\Metal Pole\MU-33388\_Single\_Mast\_Arm\22.dgn  
WLEZ054 AT 005250740