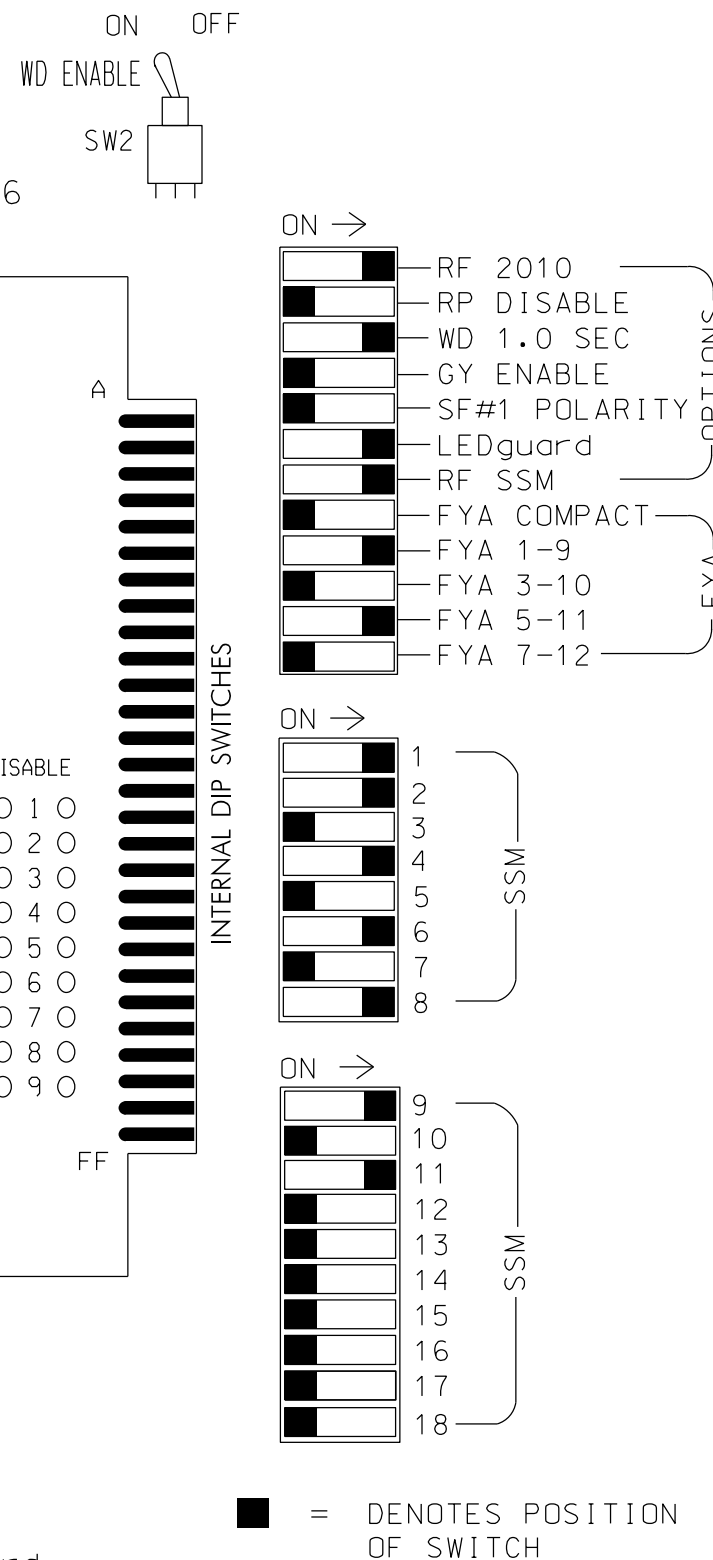
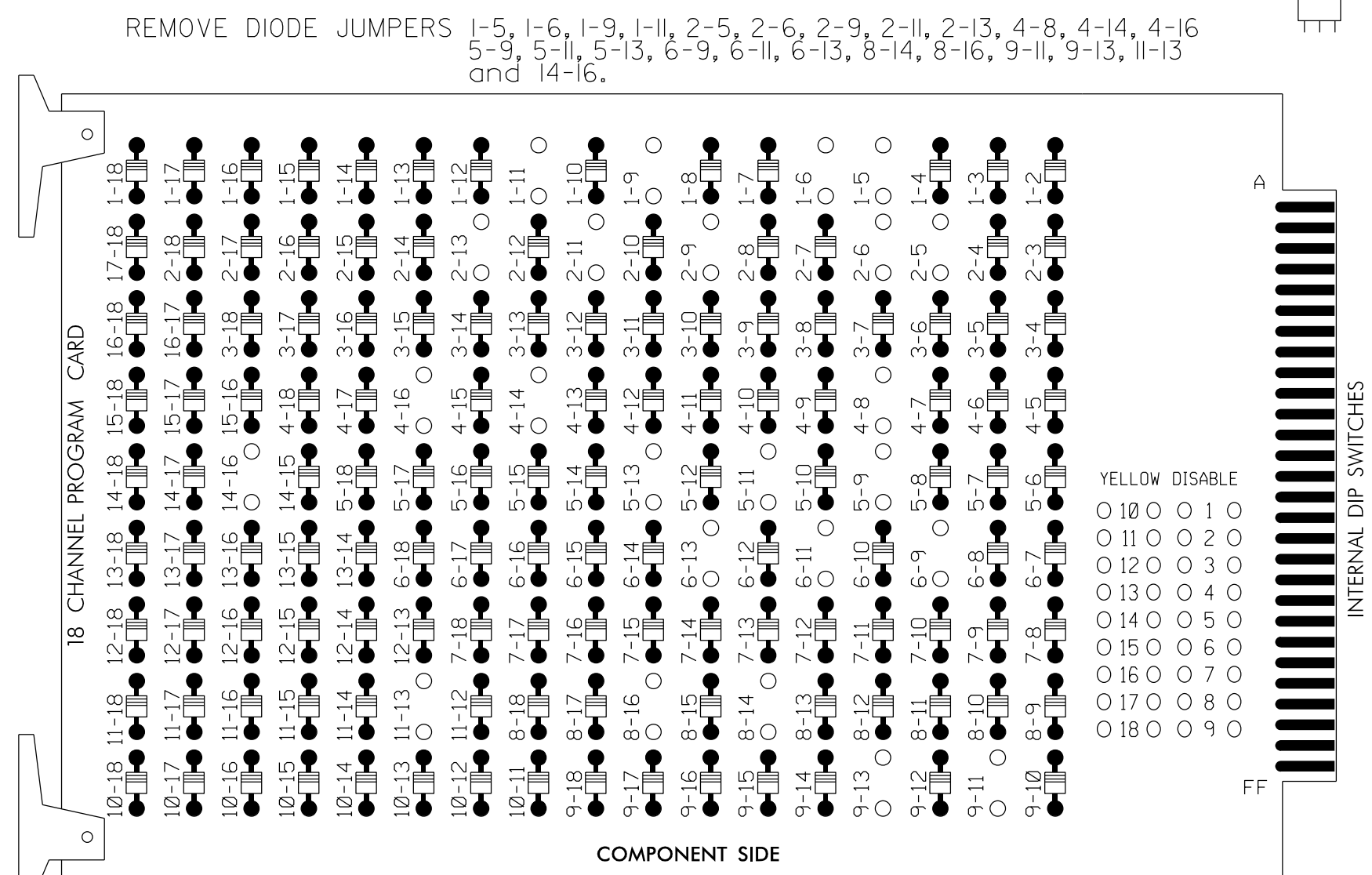


EDI MODEL 2018ECL-NC CONFLICT MONITOR PROGRAMMING DETAIL

(remove jumpers and set switches as shown)



REMOVE JUMPERS AS SHOWN

NOTES:

1. Card is provided with all diode jumpers in place. Removal of any jumper allows its channels to run concurrently.
2. Ensure jumpers SEL2-SEL5 and SEL9 are present on the monitor board.
3. Ensure that Red Enable is active at all times during normal operation.
4. Connect serial cable from conflict monitor to comm. port 1 of 2070 controller. Ensure conflict monitor communicates with 2070.

NOTES

1. To prevent "flash-conflict" problems, insert red flash program blocks for all unused vehicle load switches in the output file. The installer shall verify that signal heads flash in accordance with the Signal Plans.
2. Program phases 4 and 8 for Dual Entry.
3. Enable Simultaneous Gap-Out for all phases.
4. Program phases 2 and 6 for Variable Initial and Gap Reduction.
5. Program phases 2 and 6 for Start Up In Green.
6. Program phases 2, 4 and 8 for 'STARTUP PED CALL'.
7. Program phases 2 and 6 for Yellow Flash, and overlap 1 as Wag Overlaps.
8. The cabinet and controller are part of the Wilmington Signal System.

EQUIPMENT INFORMATION

CONTROLLER.....2070E
 CABINET.....332 /W/ AUX
 SOFTWARE.....ECONOLITE OASIS
 CABINET MOUNT.....BASE
 OUTPUT FILE POSITIONS...18 WITH AUX. OUTPUT FILE
 LOAD SWITCHES USED.....S1,S2,S3,S5,S6,S7,S8,S11,S12,AUX S1,
 AUX S4.
 PHASES USED.....1,2,2PED,4,4PED,5,6,8,8PED.
 OVERLAP "A".....1+2
 OVERLAP "B".....NOT USED
 OVERLAP "C".....5+6
 OVERLAP "D".....NOT USED

PROJECT REFERENCE NO.	SHEET NO.
U-33388	Sig. 16.1

SIGNAL HEAD HOOK-UP CHART

LOAD SWITCH NO.	S1	S2	S3	S4	S5	S6	S7	S8	S9	S10	S11	S12	AUX S1	AUX S2	AUX S3	AUX S4	AUX S5	AUX S6
CMU CHANNEL NO.	1	2	13	3	4	14	5	6	15	7	8	16	9	10	17	11	12	18
PHASE	1	2	2 PED	3	4	4 PED	5	6	6 PED	7	8	8 PED	OLA	OLB	SPARE	OLC	OLD	SPARE
SIGNAL HEAD NO.	11	82	21,22	P21, P22	NU	41,42, 43	P41, P42	51	61,62	NU	NU	81,82	P81, P82	11	NU	NU	51	NU
RED		*	128			101			134			107						
YELLOW			129			102		*	135			108						
GREEN			130			103			136			109						
RED ARROW													A121				A114	
YELLOW ARROW	126												A122				A115	
FLASHING YELLOW ARROW													A123				A116	
GREEN ARROW	127	127							133									
Hand							113		104				110					
Walker							115		106				112					

NU = Not Used
 * Denotes install load resistor. See load resistor installation detail this sheet.
 * See pictorial of head wiring in detail below.

INPUT FILE POSITION LAYOUT

(front view)

FILE U	1	2	3	4	5	6	7	8	9	10	11	12	13	14
U	∅ 1 1A	∅ 1 1B	∅ 2 2A	∅ 3 3A	∅ 4 4A	∅ 5 5A	∅ 6 6A	∅ 7 7A	∅ 8 8A	∅ 9 9A	∅ 10 10A	∅ 11 11A	∅ 12 12A	∅ 13 13A
L	NOT USED	NOT USED	NOT USED	NOT USED	NOT USED	NOT USED	NOT USED	NOT USED	NOT USED	NOT USED	NOT USED	NOT USED	NOT USED	NOT USED
U	∅ 5 5A	∅ 6 6A	∅ 7 7A	∅ 8 8A	∅ 9 9A	∅ 10 10A	∅ 11 11A	∅ 12 12A	∅ 13 13A	∅ 14 14A	∅ 15 15A	∅ 16 16A	∅ 17 17A	∅ 18 18A
L	NOT USED	NOT USED	NOT USED	NOT USED	NOT USED	NOT USED	NOT USED	NOT USED	NOT USED	NOT USED	NOT USED	NOT USED	NOT USED	NOT USED

EX.: 1A, 2A, ETC. = LOOP NO.'S
 FS = FLASH SENSE
 ST = STOP TIME

⊗ Wired Input - Do not populate slot with detector card

COUNTDOWN PEDESTRIAN SIGNAL OPERATION

Countdown Ped Signals are required to display timing only during Ped Clearance Interval. Consult Ped Signal Module user's manual for instructions on selecting this feature.

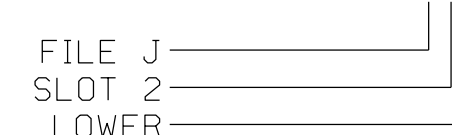
INPUT FILE CONNECTION & PROGRAMMING CHART

LOOP NO.	LOOP TERMINAL	INPUT FILE POS.	PIN NO.	INPUT ASSIGNMENT NO.	DETECTOR NO.	NEMA PHASE	CALL	EXTEND	FULL TIME DELAY	STRETCH TIME	DELAY TIME
1A ¹	TB2-1,2	I1U	56	18	1	1	Y	Y			15
	-	J4U	48	10	26	6	Y	Y	Y		3
1B	TB2-5,6	I2U	39	1	2	1	Y	Y			15
2A	TB2-9,10	I3U	63	25	32	2	Y	Y			
4A	TB4-9,10	I6U	41	3	4	4	Y	Y			
4B	TB4-11,12	I6L	45	7	14	4	Y	Y			
5A ²	TB3-1,2	J1U	55	17	5	5	Y	Y			15
	-	I4U	47	9	22	2	Y	Y	Y		3
6A	TB3-5,6	J2U	40	2	6	6	Y	Y			
8A	TB5-9,10	J6U	42	4	8	8	Y	Y			
PED PUSH BUTTONS											
P21,P22	TB8-4,6	I12U	67	29	PED 2	2	PED				
P41,P42	TB8-5,6	I12L	69	31	PED 4	4	PED				
P81,P82	TB8-8,9	I13L	70	32	PED 8	8	PED				

NOTE:
 INSTALL DC ISOLATORS IN INPUT FILE SLOTS I12 AND I13.

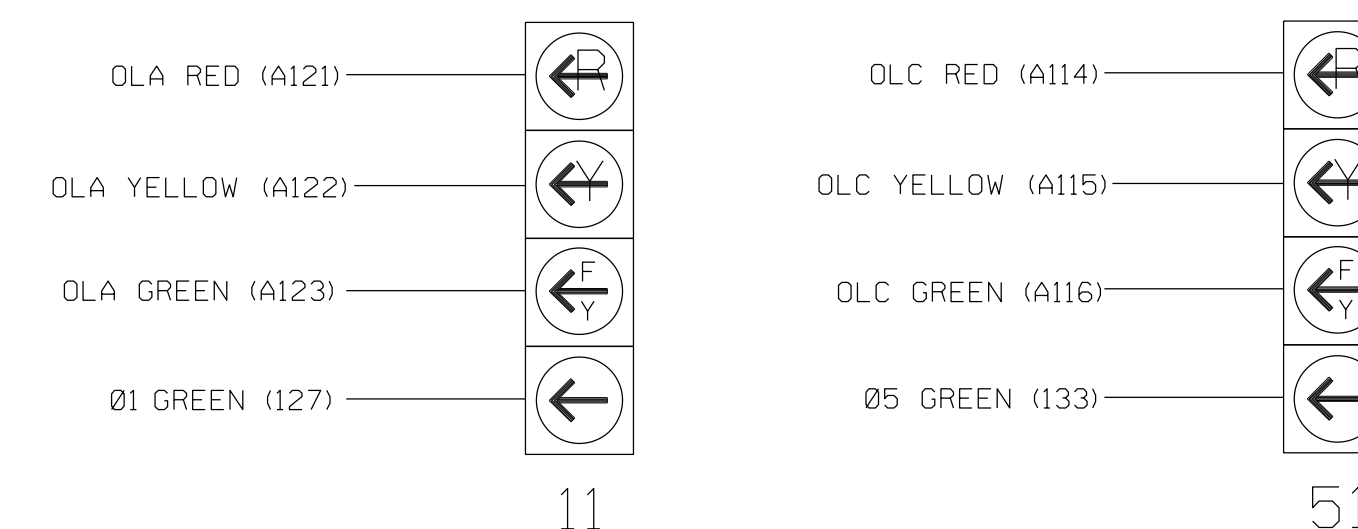
- ¹Add jumper from I1-W to J4-W, on rear of input file.
- ²Add jumper from J1-W to I4-W, on rear of input file.

INPUT FILE POSITION LEGEND: J2L



4 SECTION FYA PPLT SIGNAL WIRING DETAIL

(wire signal heads as shown)



NOTE

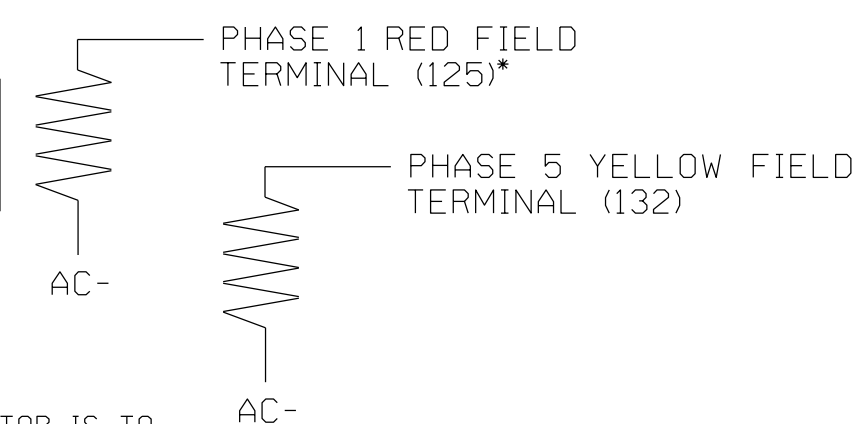
1. The sequence display for this signal requires special logic programming. See sheet 2 of 2 for programming instructions.

THIS ELECTRICAL DETAIL IS FOR THE SIGNAL DESIGN: 03-1083T3
 DESIGNED: June 2014
 SEALED: December 19, 2014
 REVISED:

LOAD RESISTOR INSTALLATION DETAIL

(install resistors as shown below)

VALUE (ohms)	WATTAGE
1.5K - 1.9K	25W (min)
2.0K - 3.0K	10W (min)



*NOTE: THE PURPOSE OF THIS RESISTOR IS TO LOAD THE CHANNEL RED MONITOR INPUT IN ORDER FOR THE SIGNAL SEQUENCE MONITOR TO USE THE FULL SIGNAL SEQUENCE MONITORING CAPABILITY ON CHANNELS THAT DO NOT USE THE RED DISPLAY IN THE FIELD.

Signal Upgrade - Temporary Design 3 (Electrical Detail Sheet 1 of 2)

ELECTRICAL AND PROGRAMMING DETAILS FOR: Prepared for the Offices of: 	SR 1175 (Kerr Avenue) at Birchwood Drive / Wilmington Avenue Extension		SEAL
	Division 03 PLAN DATE: June 2014 PREPARED BY: AM Encarnacion	New Hanover County REVIEWED BY: LM Moon REVIEWED BY: MB Toth	

ATKINS 1616 EAST MILLBROOK ROAD, SUITE 310
 RALEIGH, NORTH CAROLINA 27609
 (919) 876-6888 NCBES #F-0326

750 N. Greenfield Pkwy, Garner, NC 27529