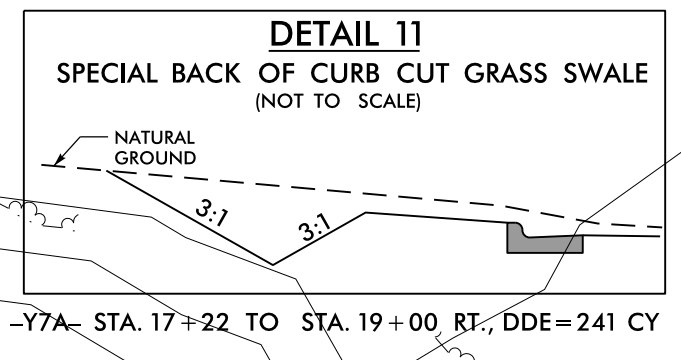
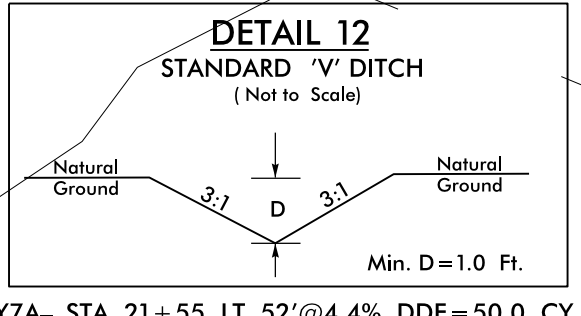
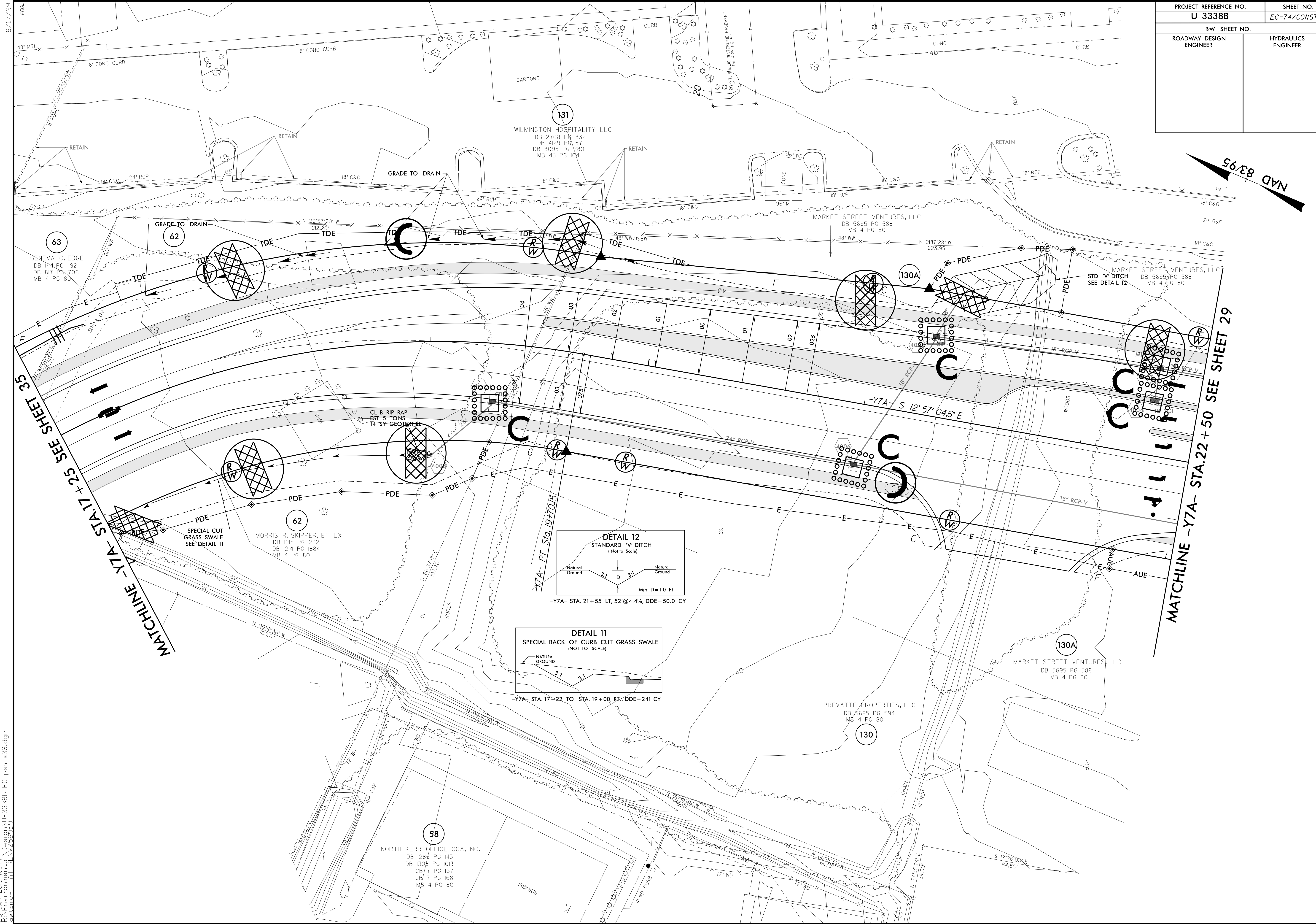


PROJECT REFERENCE NO. U-3338B	SHEET NO. <i>EC-74/CONST.36</i>
RW SHEET NO.	
ROADWAY DESIGN ENGINEER	HYDRAULICS ENGINEER

8/17/99



26 JAN 2015 10:44
D:\as105\U-3338b-EC.upsh.s36.dgn
R:\LE\ir-omagn\DR\U-3338B.dwg
User: ir-omagn