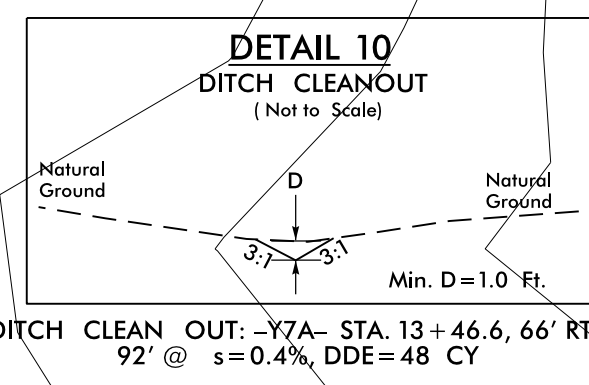
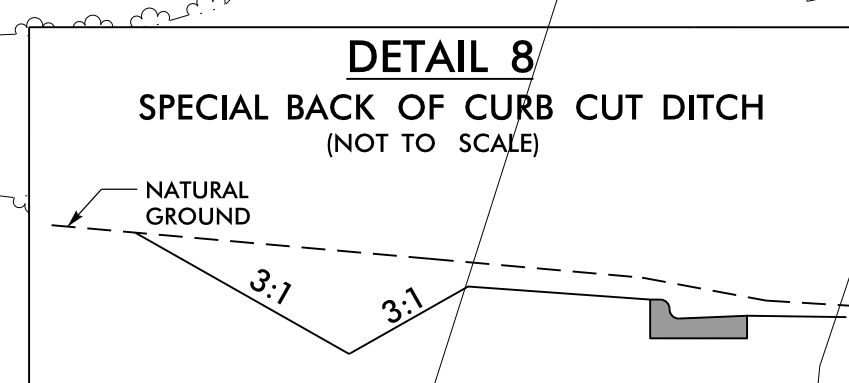
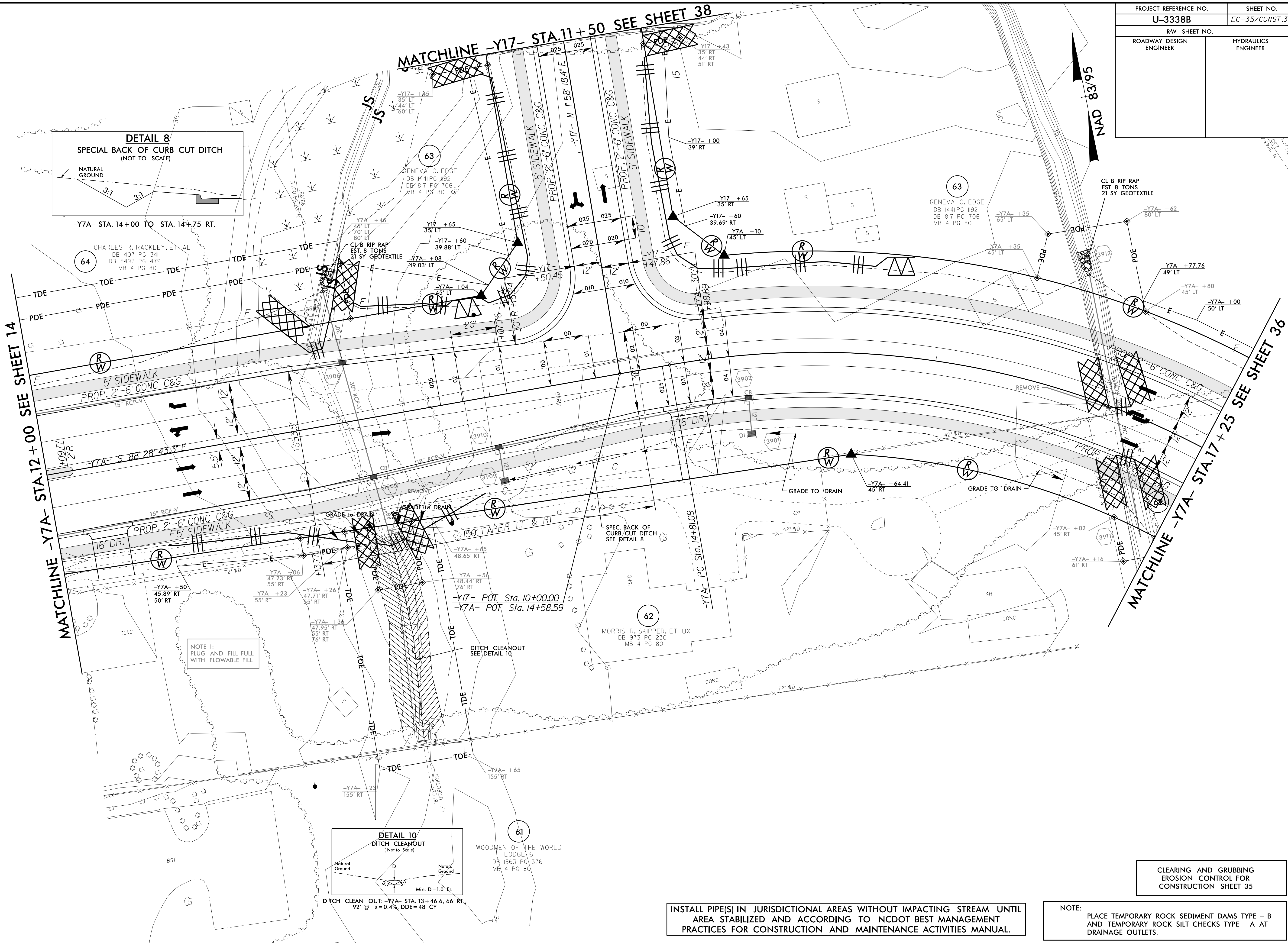


PROJECT REFERENCE NO.	SHEET NO.
U-3338B	EC-35/CONST.35
RW SHEET NO.	
ROADWAY DESIGN ENGINEER	HYDRAULICS ENGINEER



INSTALL PIPE(S) IN JURISDICTIONAL AREAS WITHOUT IMPACTING STREAM UNTIL AREA STABILIZED AND ACCORDING TO NCDOT BEST MANAGEMENT PRACTICES FOR CONSTRUCTION AND MAINTENANCE ACTIVITIES MANUAL.

NOTE: PLACE TEMPORARY ROCK SEDIMENT DAMS TYPE - B AND TEMPORARY ROCK SILT CHECKS TYPE - A AT DRAINAGE OUTLETS.

8/17/99  
 92 JAN-2015 16:18  
 C:\Users\jordan\Documents\Projects\U-3338B-EC.upsh.s35.dgn  
 3338B-EC-35-CONST.35