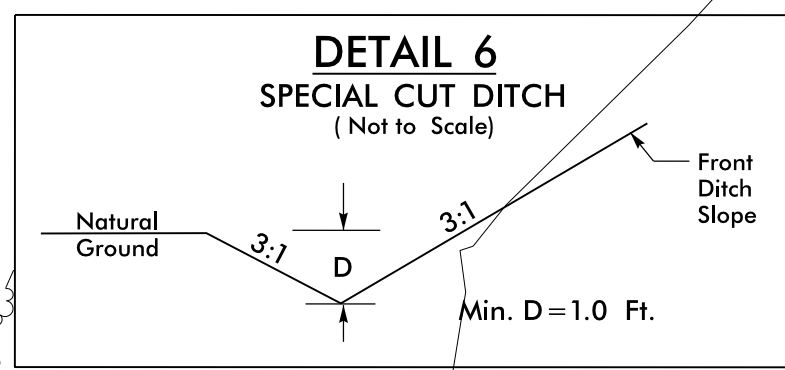


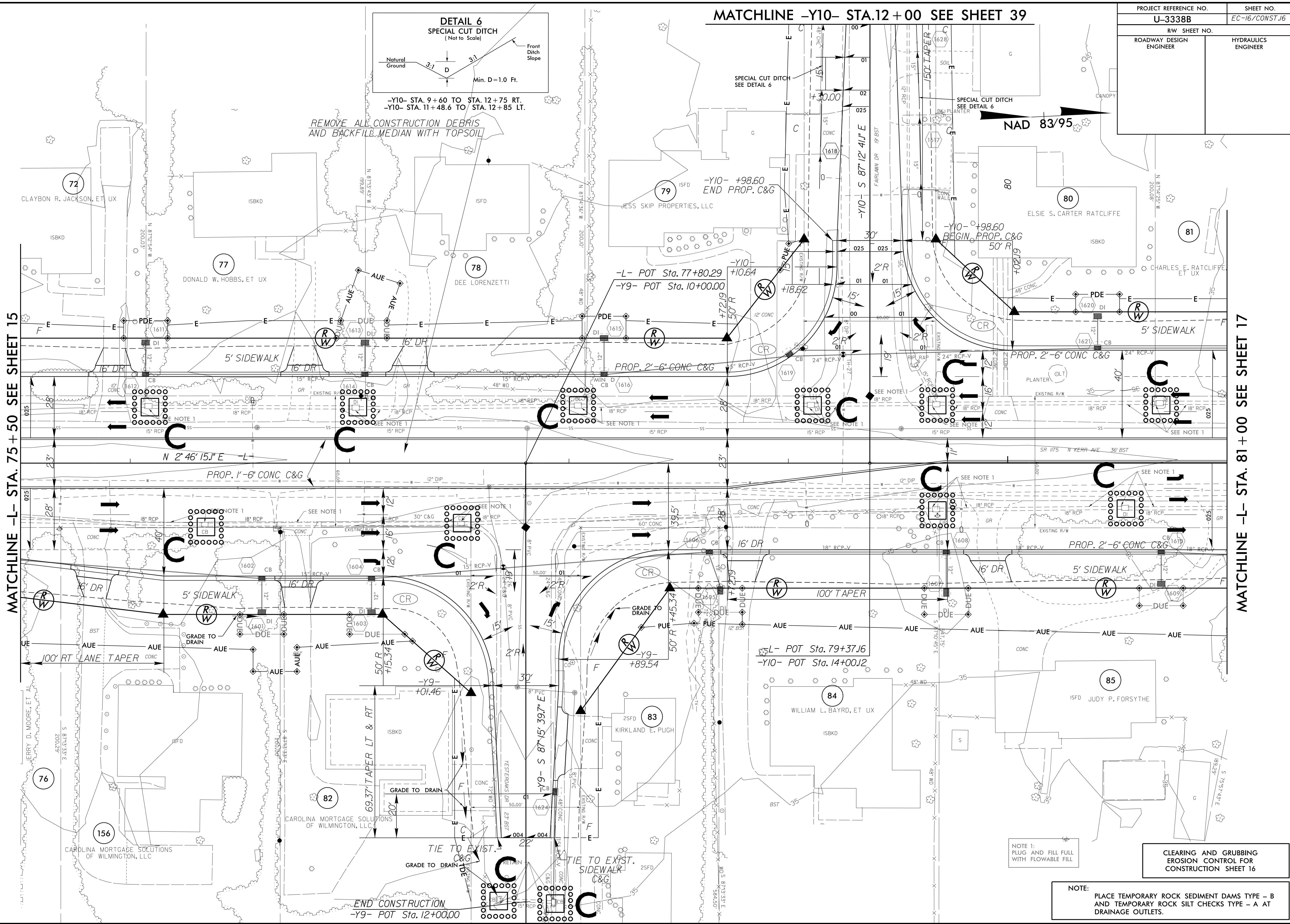
PROJECT REFERENCE NO.	SHEET NO.
U-3338B	EC-16/CONST.16
RW SHEET NO.	
ROADWAY DESIGN ENGINEER	HYDRAULICS ENGINEER

MATCHLINE -Y10- STA.12+00 SEE SHEET 39



-Y10- STA. 9+60 TO STA. 12+75 RT.  
-Y10- STA. 11+48.6 TO STA. 12+85 LT.

REMOVE ALL CONSTRUCTION DEBRIS  
AND BACKFILL MEDIAN WITH TOPSOIL



MATCHLINE -L- STA. 75+50 SEE SHEET 15

MATCHLINE -L- STA. 81+00 SEE SHEET 17

NOTE 1:  
PLUG AND FILL FULL  
WITH FLOWABLE FILL

CLEARING AND GRUBBING  
EROSION CONTROL FOR  
CONSTRUCTION SHEET 16

NOTE:  
PLACE TEMPORARY ROCK SEDIMENT DAMS TYPE - B  
AND TEMPORARY ROCK SILT CHECKS TYPE - A AT  
DRAINAGE OUTLETS.

8/17/99

92 JAN-2015 15:17  
R:\env\p\m\p\U-3338b-EC.upsh.s16.dgn  
16/01/2015 10:00 AM