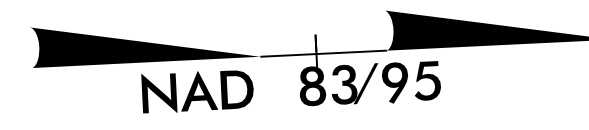
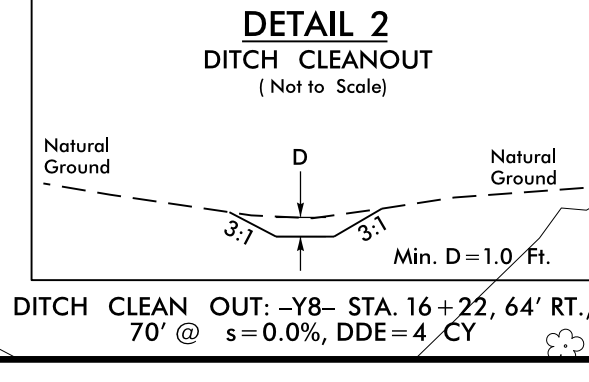
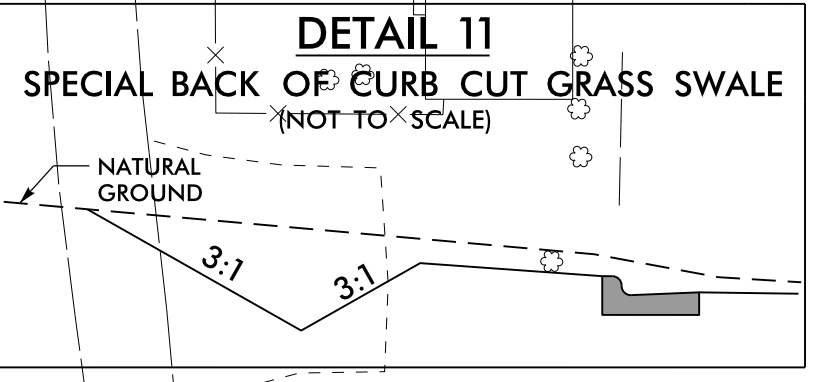
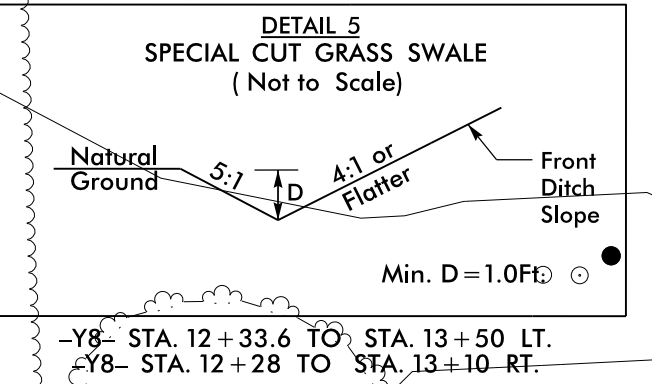
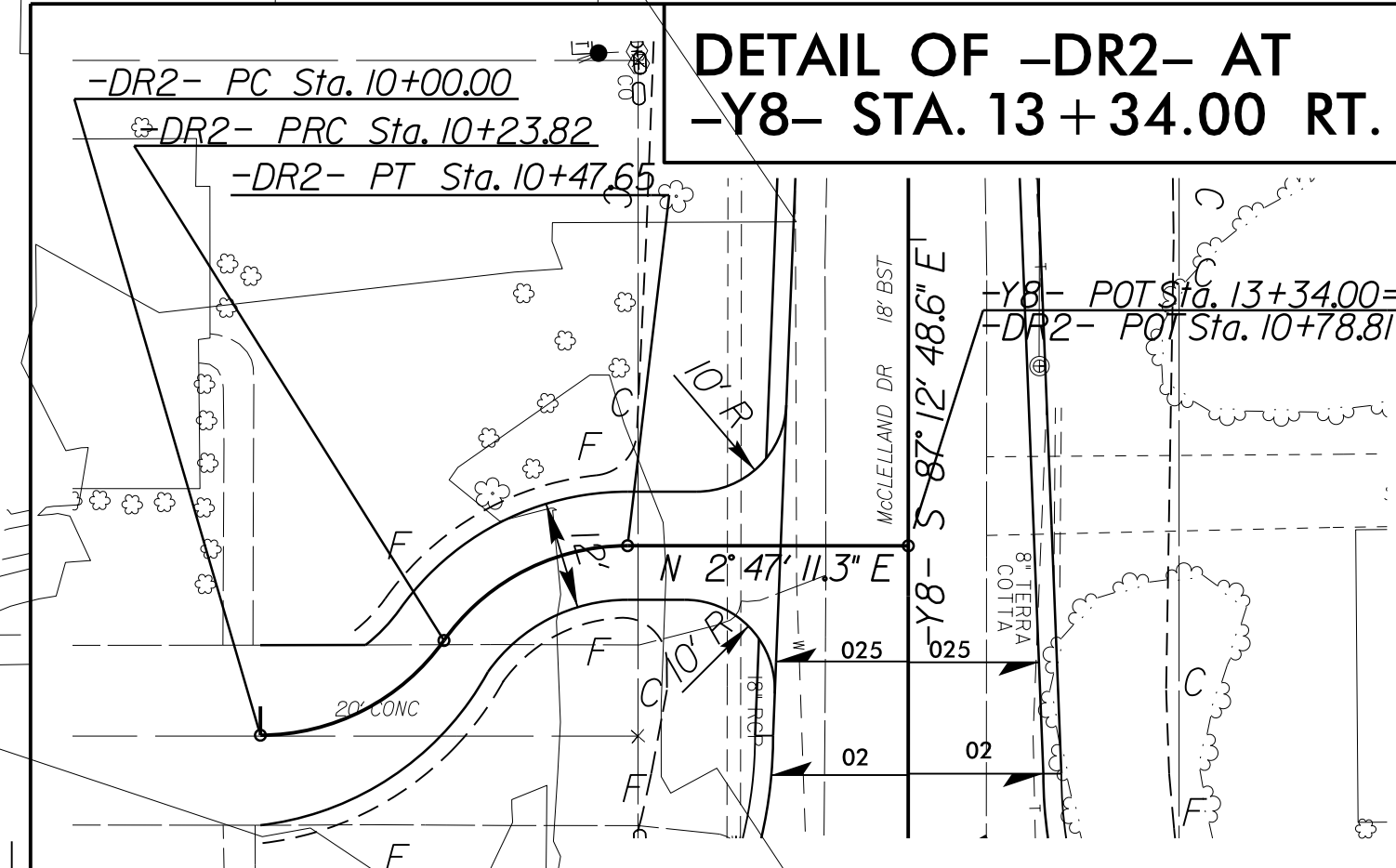
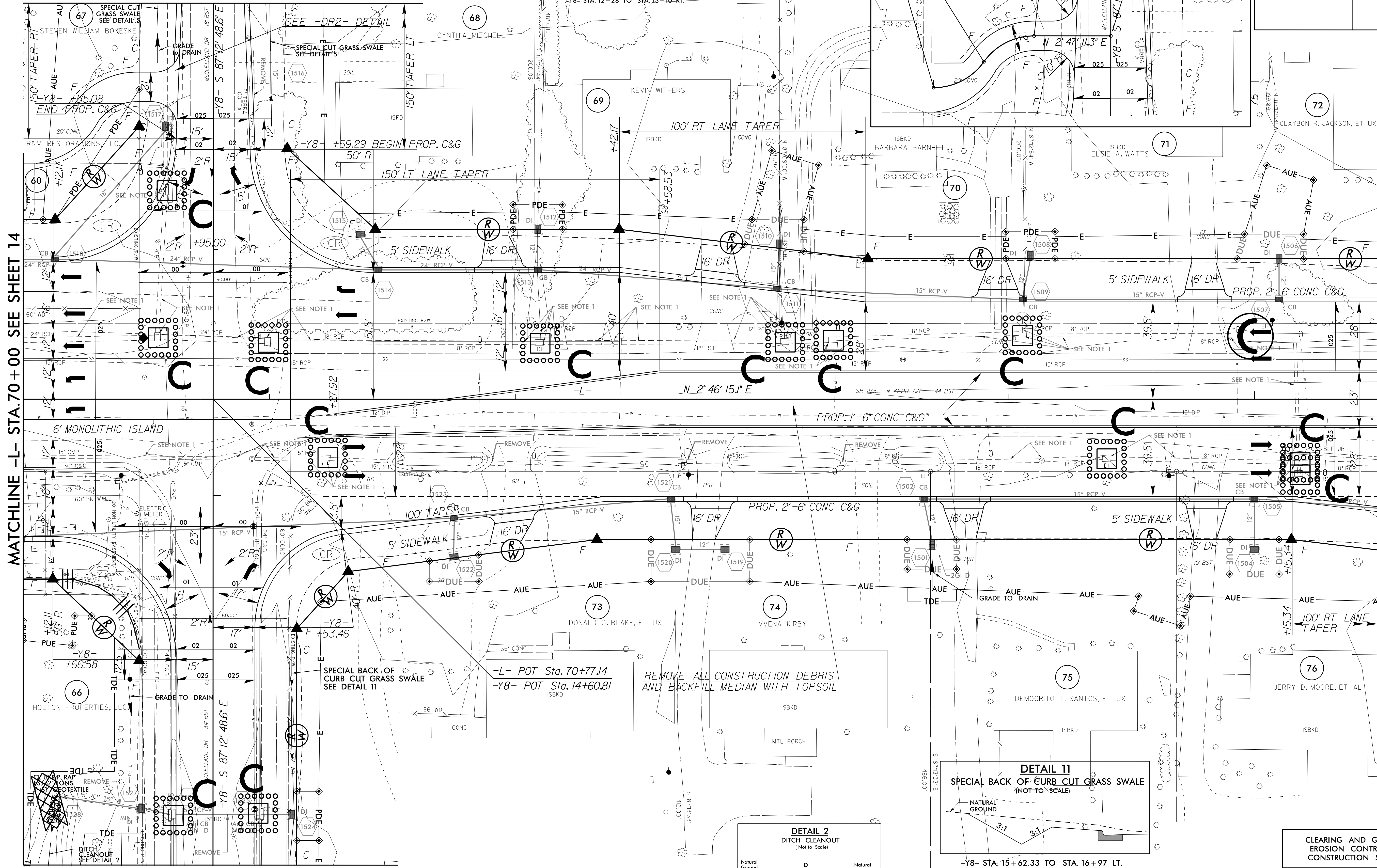


PROJECT REFERENCE NO.	SHEET NO.
U-3338B	EC-15/CONST.15
RW SHEET NO.	HYDRAULICS ENGINEER
ROADWAY DESIGN ENGINEER	



MATCHLINE -Y8- STA.13+00 SEE SHEET 37



CLEARING AND GRUBBING EROSION CONTROL FOR CONSTRUCTION SHEET 15

NOTE: PLACE TEMPORARY ROCK SEDIMENT DAMS TYPE - B AND TEMPORARY ROCK SILT CHECKS TYPE - A AT DRAINAGE OUTLETS.

MATCHLINE -L- STA.70+00 SEE SHEET 14

MATCHLINE -L- STA.75+50 SEE SHEET 16

MATCHLINE -Y8- STA.16+50 SEE SHEET 38

8/17/99

92 JAN-2015 15:06 D:\as\p\U-3338b-EC.upsh.s15.dgn  
 R:\enviroment\p\U-3338b-EC.upsh.s15.dgn  
 R:\enviroment\p\U-3338b-EC.upsh.s15.dgn