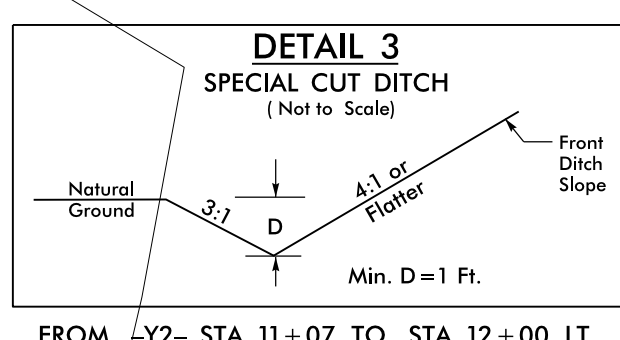
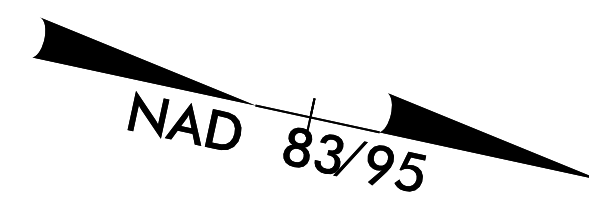


PROJECT REFERENCE NO.	SHEET NO.
U-3338B	EC-7/CONST.7
RW SHEET NO.	
ROADWAY DESIGN ENGINEER	HYDRAULICS ENGINEER

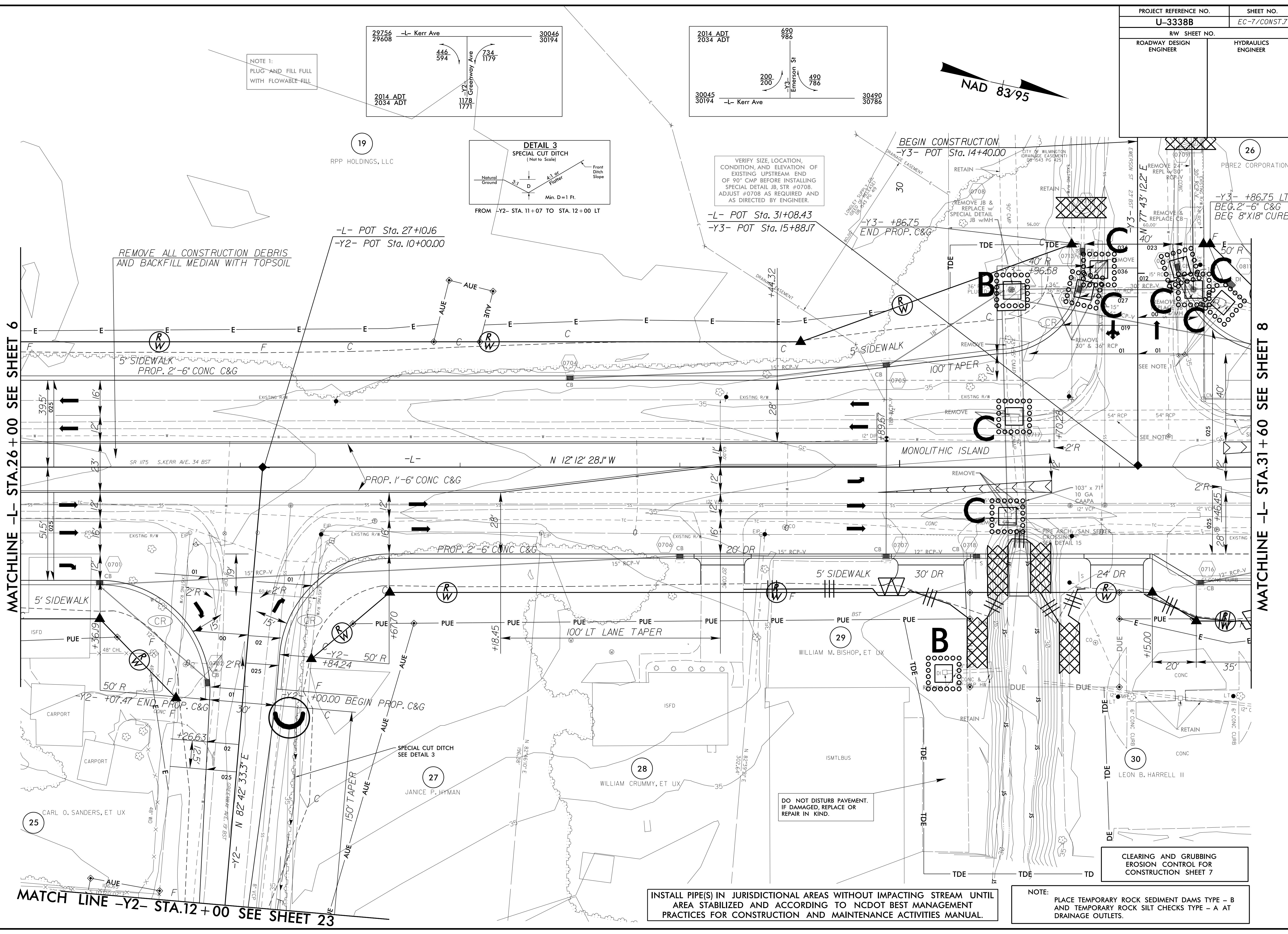


VERIFY SIZE, LOCATION, CONDITION, AND ELEVATION OF EXISTING UPSTREAM END OF 90° CMP BEFORE INSTALLING SPECIAL DETAIL JB, STR #0708. ADJUST #0708 AS REQUIRED AND AS DIRECTED BY ENGINEER.

NOTE 1:
PLUG AND FILL FULL WITH FLOWABLE FILL

MATCHLINE -L- STA.26+00 SEE SHEET 6

MATCHLINE -L- STA.31+60 SEE SHEET 8



MATCH LINE -Y2- STA.12+00 SEE SHEET 23

INSTALL PIPE(S) IN JURISDICTIONAL AREAS WITHOUT IMPACTING STREAM UNTIL AREA STABILIZED AND ACCORDING TO NCDOT BEST MANAGEMENT PRACTICES FOR CONSTRUCTION AND MAINTENANCE ACTIVITIES MANUAL.

NOTE:
PLACE TEMPORARY ROCK SEDIMENT DAMS TYPE - B AND TEMPORARY ROCK SILT CHECKS TYPE - A AT DRAINAGE OUTLETS.

DO NOT DISTURB PAVEMENT. IF DAMAGED, REPLACE OR REPAIR IN KIND.

CLEARING AND GRUBBING EROSION CONTROL FOR CONSTRUCTION SHEET 7

REVISIONS

8/17/99

92 JAN-2015 14:24 D:\as\psh\U-3338b-EC-upsh.s07.dgn
R:\LEVIN\COMMON\PROJECTS\U-3338B\EC\U-3338B-EC.dwg
A:\COMMON\PROJECTS\U-3338B\EC\U-3338B-EC.dwg