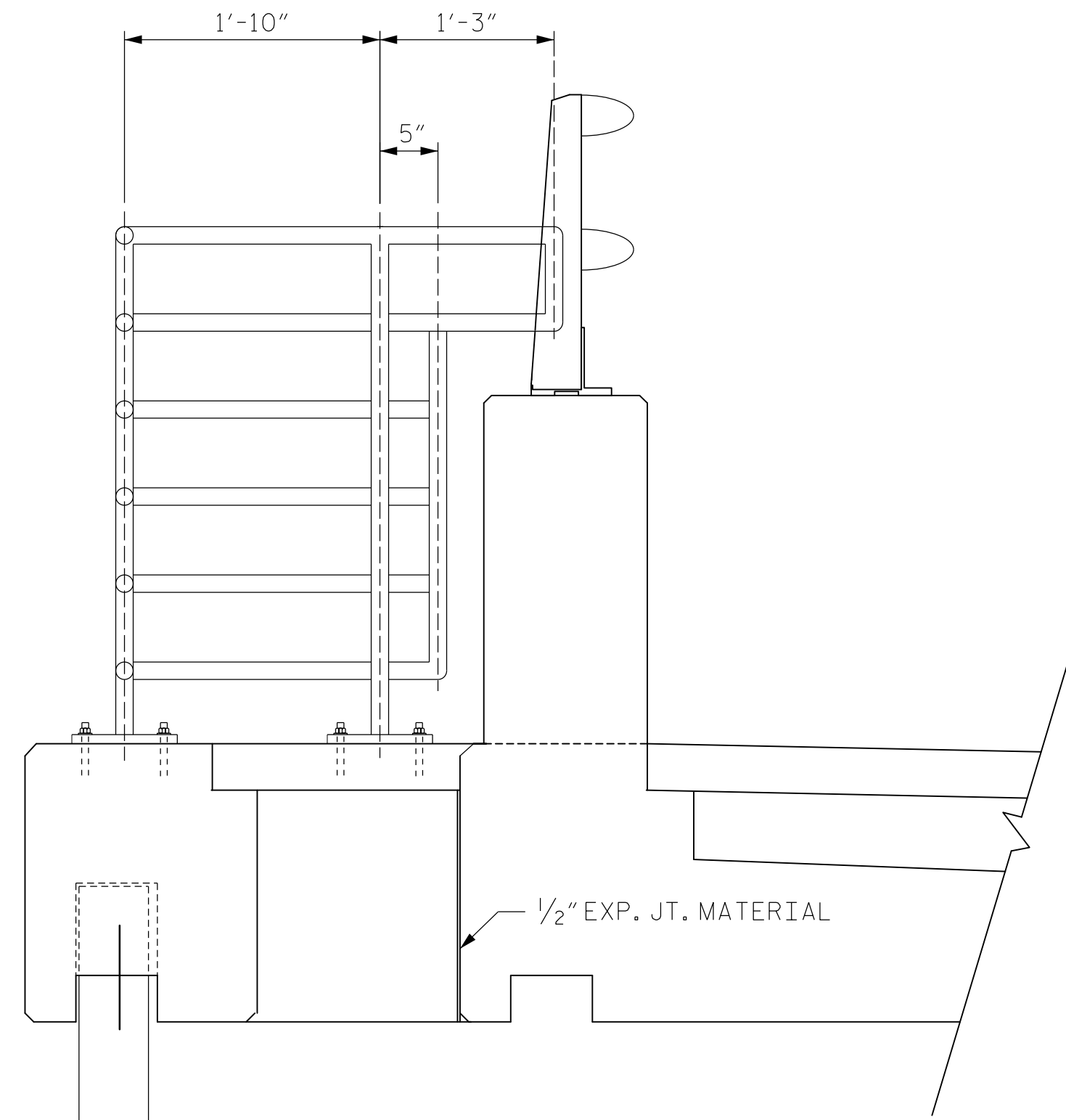
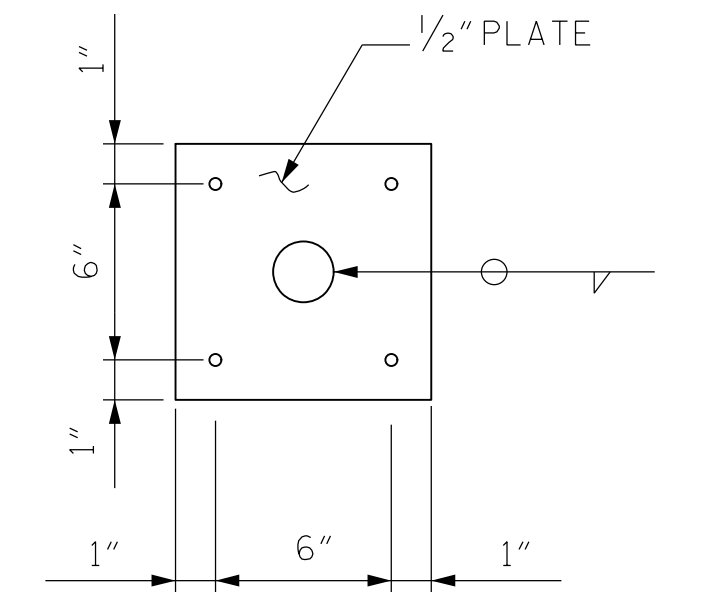


ELEVATION OF HANDRAIL



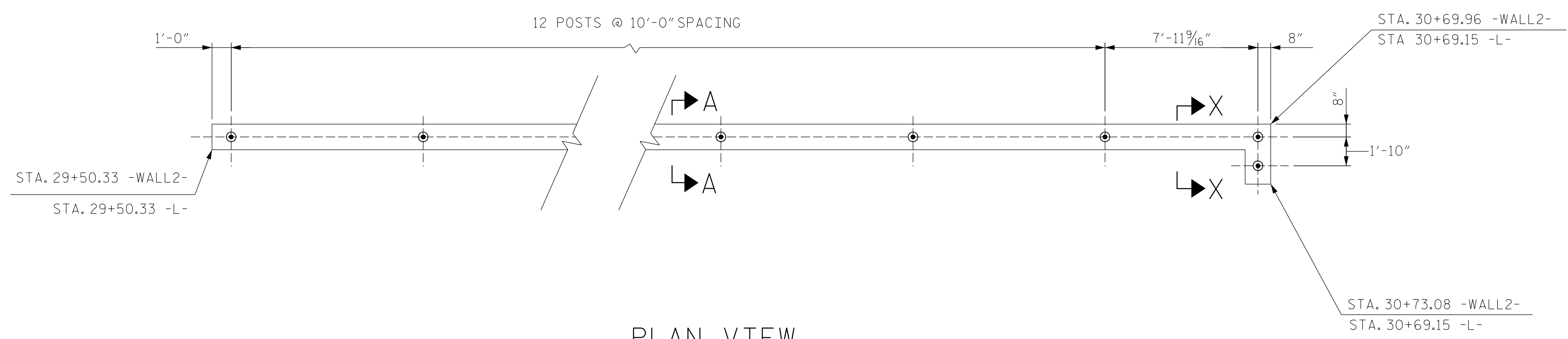
SECTION X-X

**NOTES:**  
 CONSTRUCT THE PROPOSED STEEL PIPE RAIL OF 1/2" DIAMETER SCHEDULE 40 PLAN END GALVANIZED STEEL PIPE MEETING THE REQUIREMENTS OF ASTM A 53. USE ASTM A-36 STEEL FOR THE BASE PLATES.  
 REPAIR GALVANIZING IN ACCORDANCE WITH SECTION 1076 OF THE NCDOT STANDARD SPECIFICATIONS.  
 PAINT, IF REQUIRED BY THE ENGINEER, IN ACCORDANCE WITH SECTION 1080 OF THE STANDARD SPECIFICATIONS.  
 CENTER THE PROPOSED RAILING ON TOP OF THE WALL COPING.  
 WELD AS NEEDED IN ACCORDANCE WITH ARTICLE 1072-18 OF THE STANDARD SPECIFICATIONS.  
 PROVIDE ADHESIVE ANCHOR BOLTS WITH A WORKING LOAD TENSION CAPACITY OF 1850 LBS AFTER INCLUDING REDUCTION FACTORS FOR EDGE DISTANCE AND SPACING PER MANUFACTURER'S RECOMMENDATIONS.  
 NO FIELD TESTING OF ANCHORS REQUIRED.

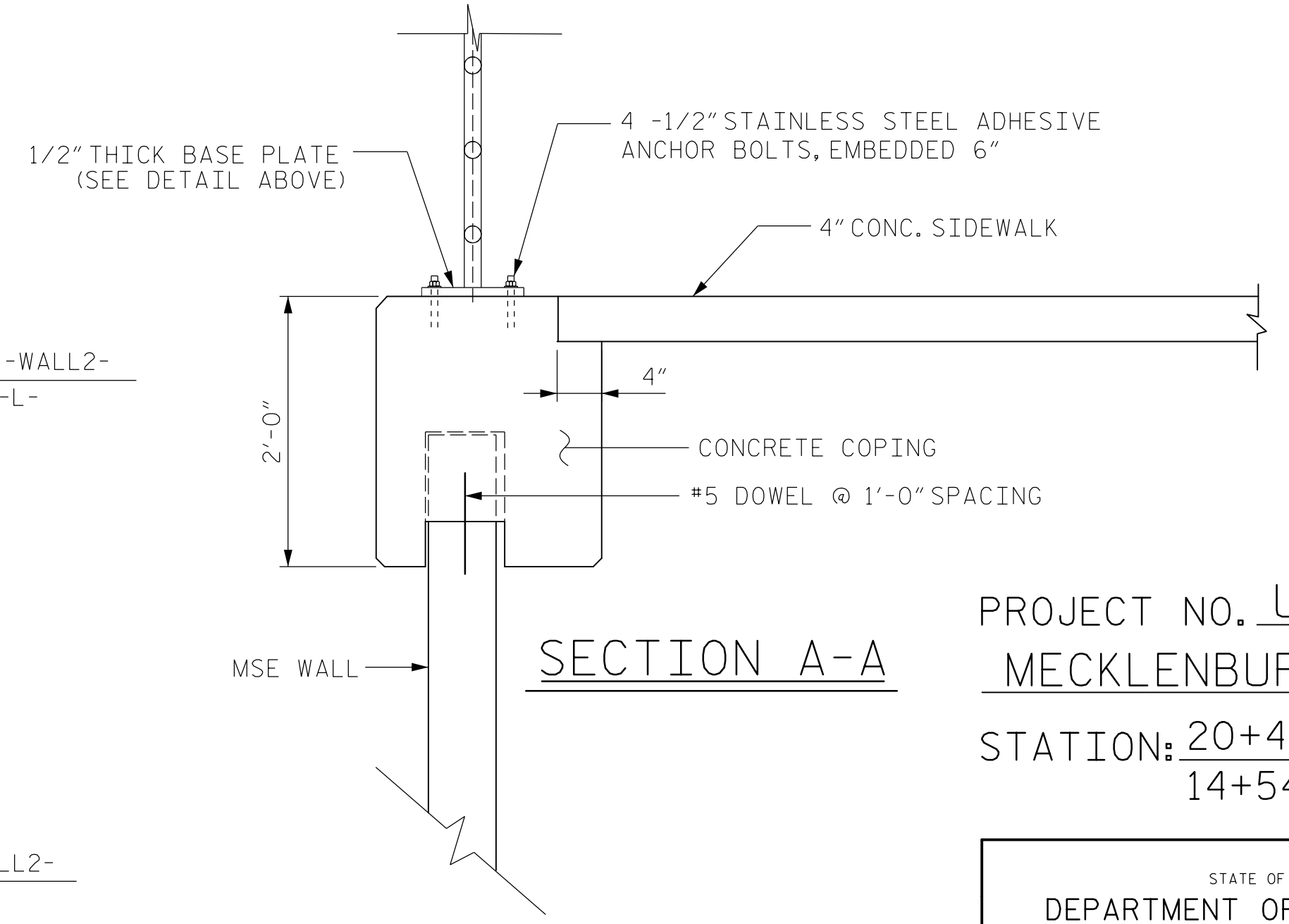


BASE PLATE DETAIL

1/2" GALVANIZED STEEL PIPE RAIL  
 PAY LENGTH = 119.79 LIN FT



PLAN VIEW



SECTION A-A

PROJECT NO. U-5008  
 MECKLENBURG COUNTY  
 STATION: 20+45.05 -L- P.O.T. = 14+54.24 -Y4- P.O.T.

STATE OF NORTH CAROLINA  
 DEPARTMENT OF TRANSPORTATION  
 RALEIGH  
 MSE RETAINING WALL  
 HANDRAIL

2/19/2015 1:10:07 PM Y:\Drawings\2011 DWG\Structures\RFC\SH89\_U-5008\_SD\_RW-11.dgn

DJD  
 DRAWN BY : E. C. DECOLA DATE : 10/06/2014  
 CHECKED BY : R. C. LARSON DATE : 10/07/2014

KCI ASSOCIATES OF NC, P.A.  
 9741 SOUTHERN PINE BLVD  
 SUITE J  
 CHARLOTTE, NC 28273  
 704-499-9452  
 NC LICENSE No. C-0764

NORTH CAROLINA  
 PROFESSIONAL  
 SEAL  
 032954  
 ENGINEER  
 JARED C. MEDIN  
 2/19/2015

REVISIONS						SHEET NO.
NO.	BY:	DATE:	NO.	BY:	DATE:	W-11
1			3			SHEETS
2			4			19