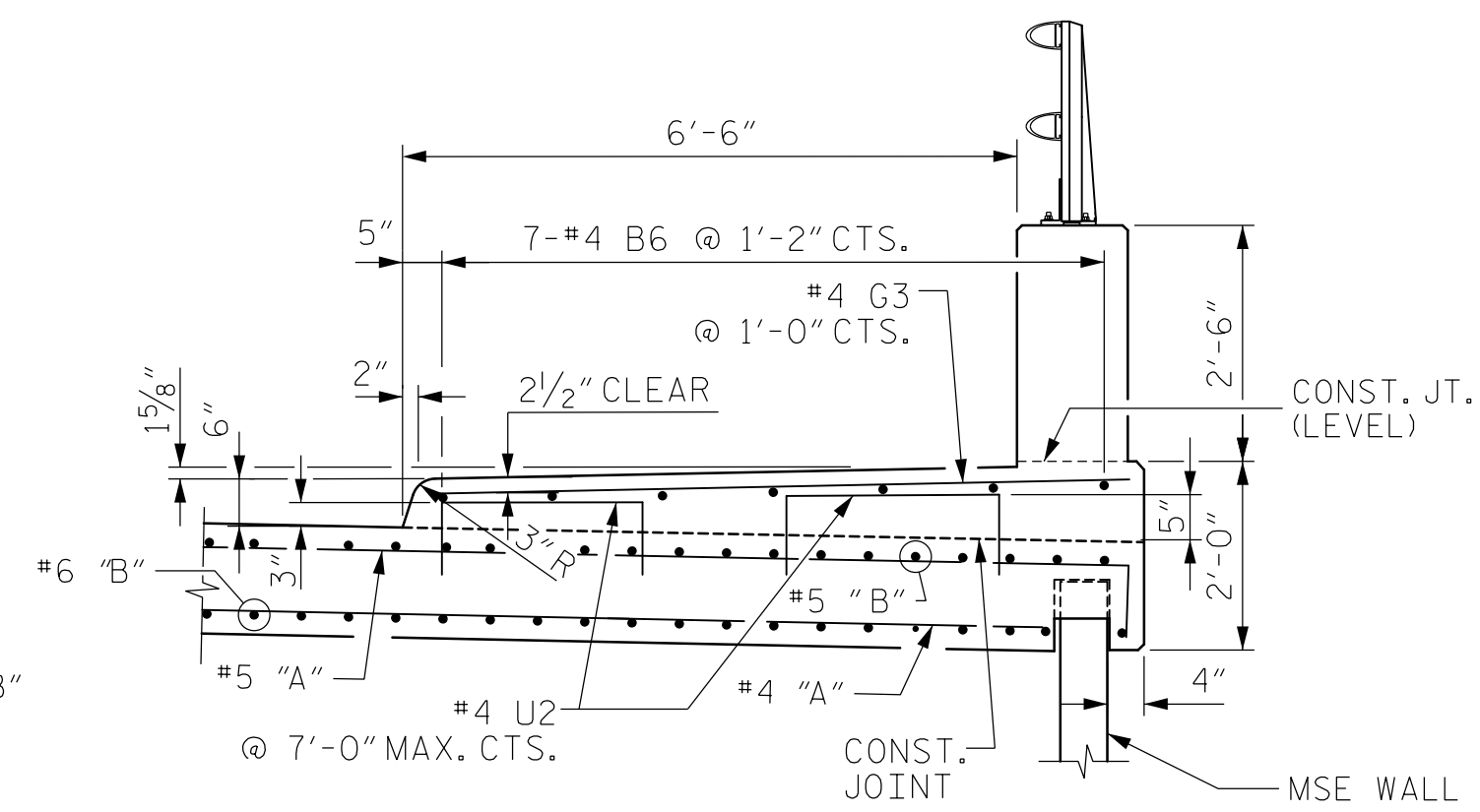
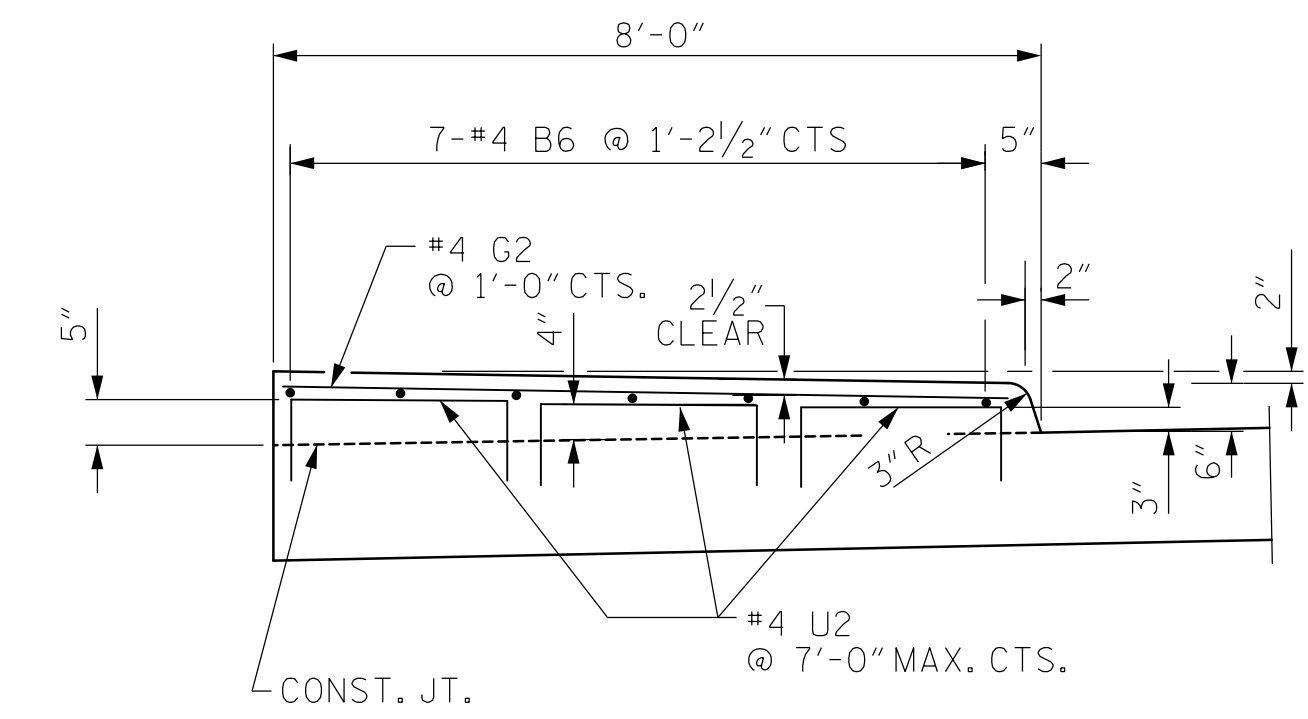


SECTION Q-Q
THRU LEFT SIDEWALK (END BENT 2)

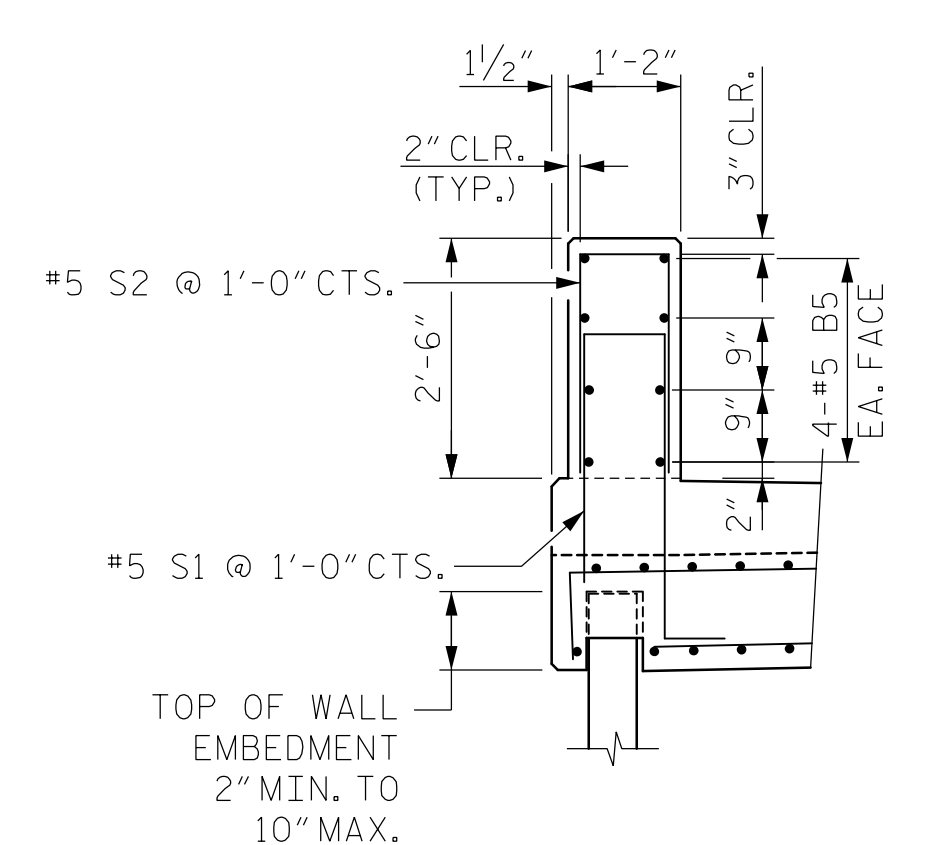


SECTION P-P
THRU RIGHT SIDEWALK

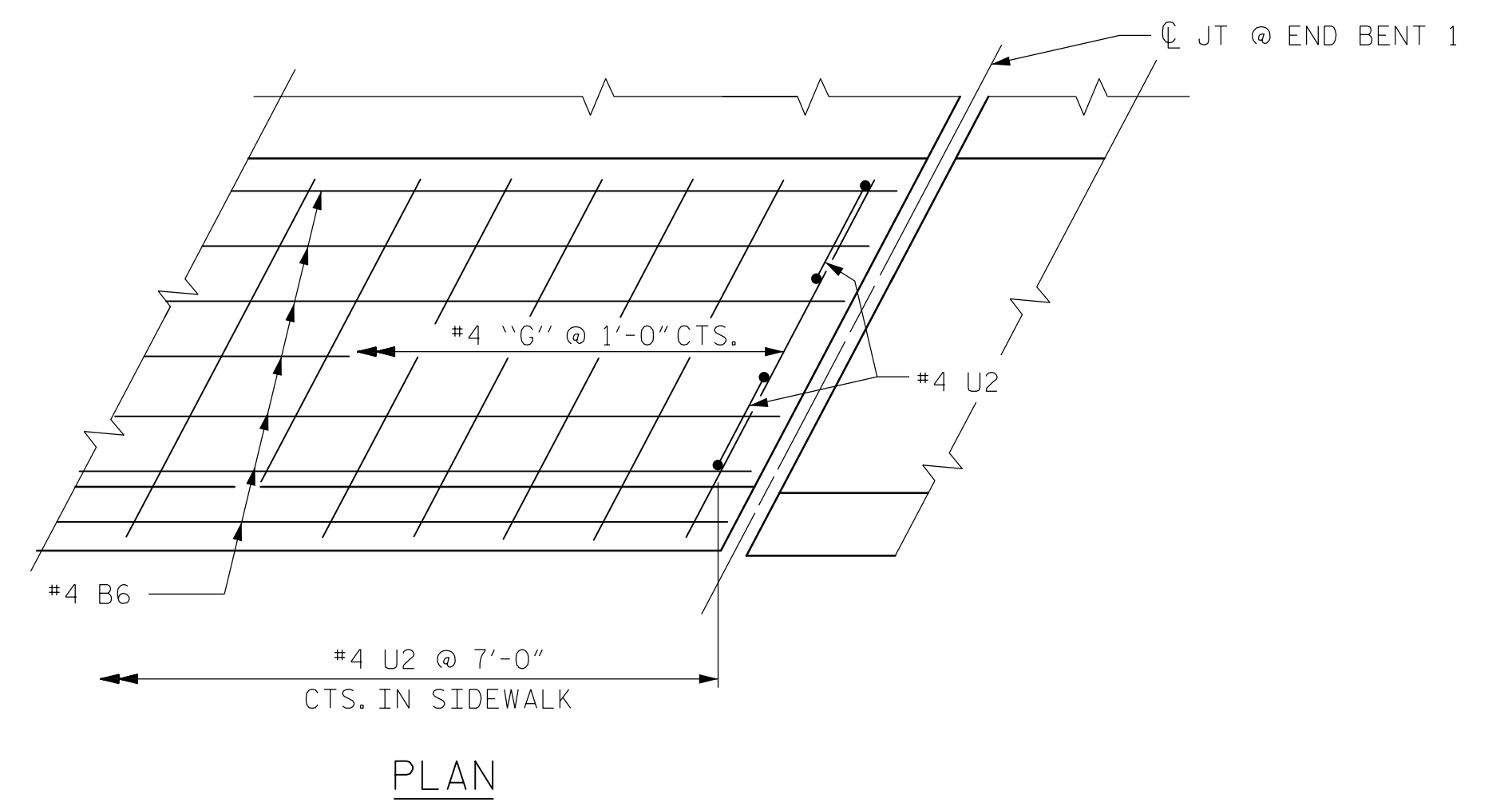
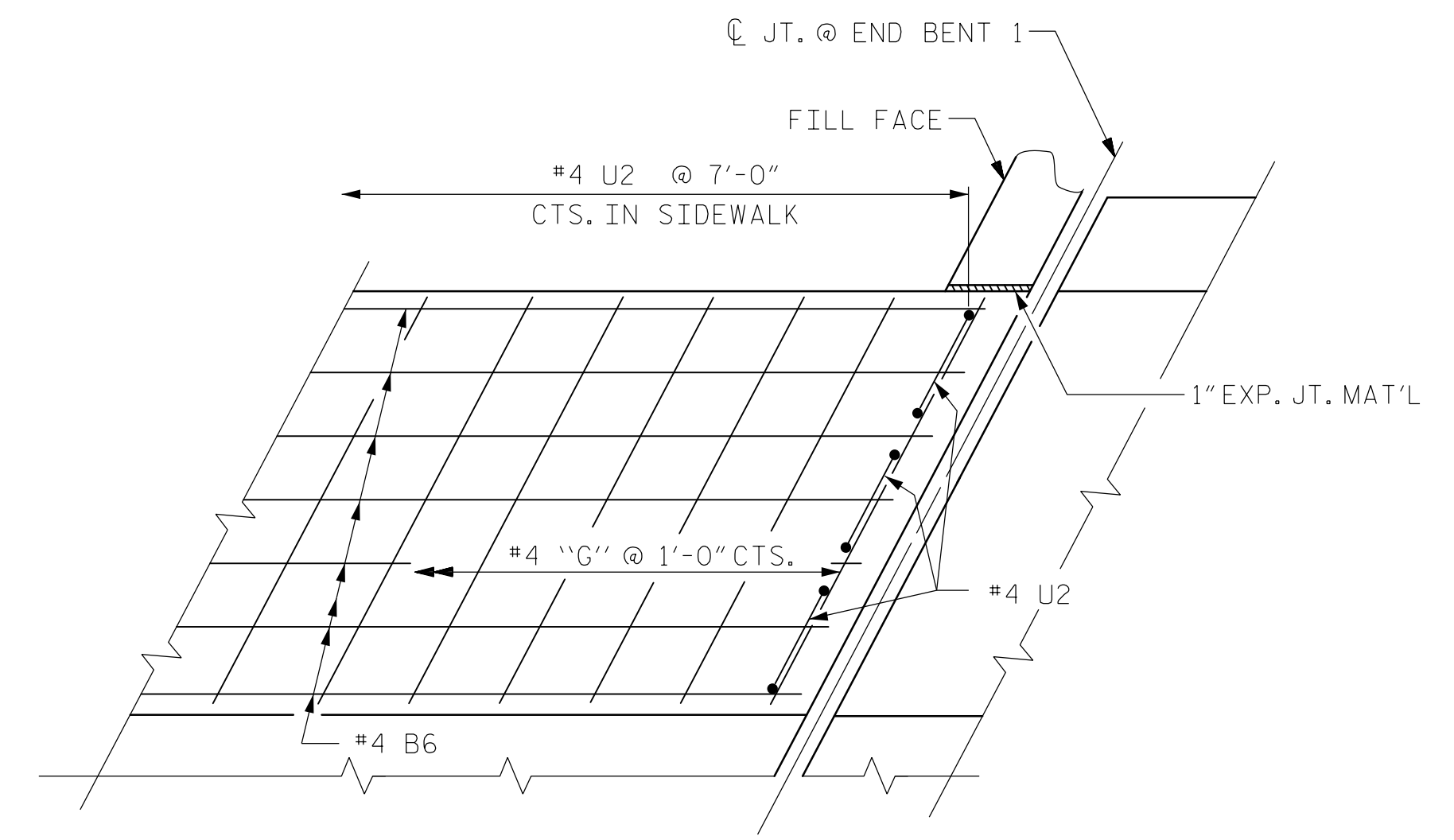
#6 "B" BARS MAY BE SHIFTED TO AVOID MSE WALL



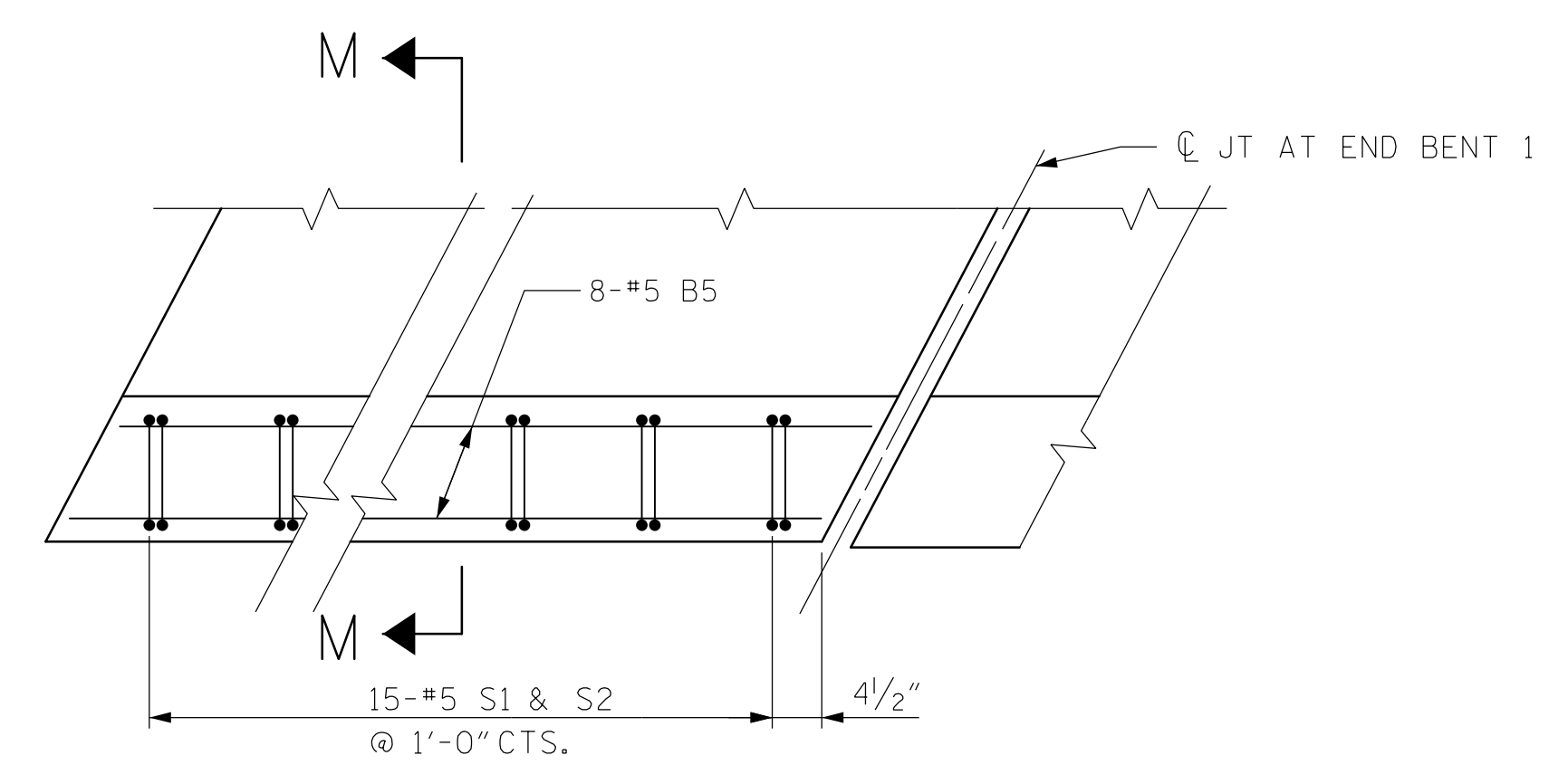
SECTION N-N
THRU LEFT SIDEWALK (END BENT 1)



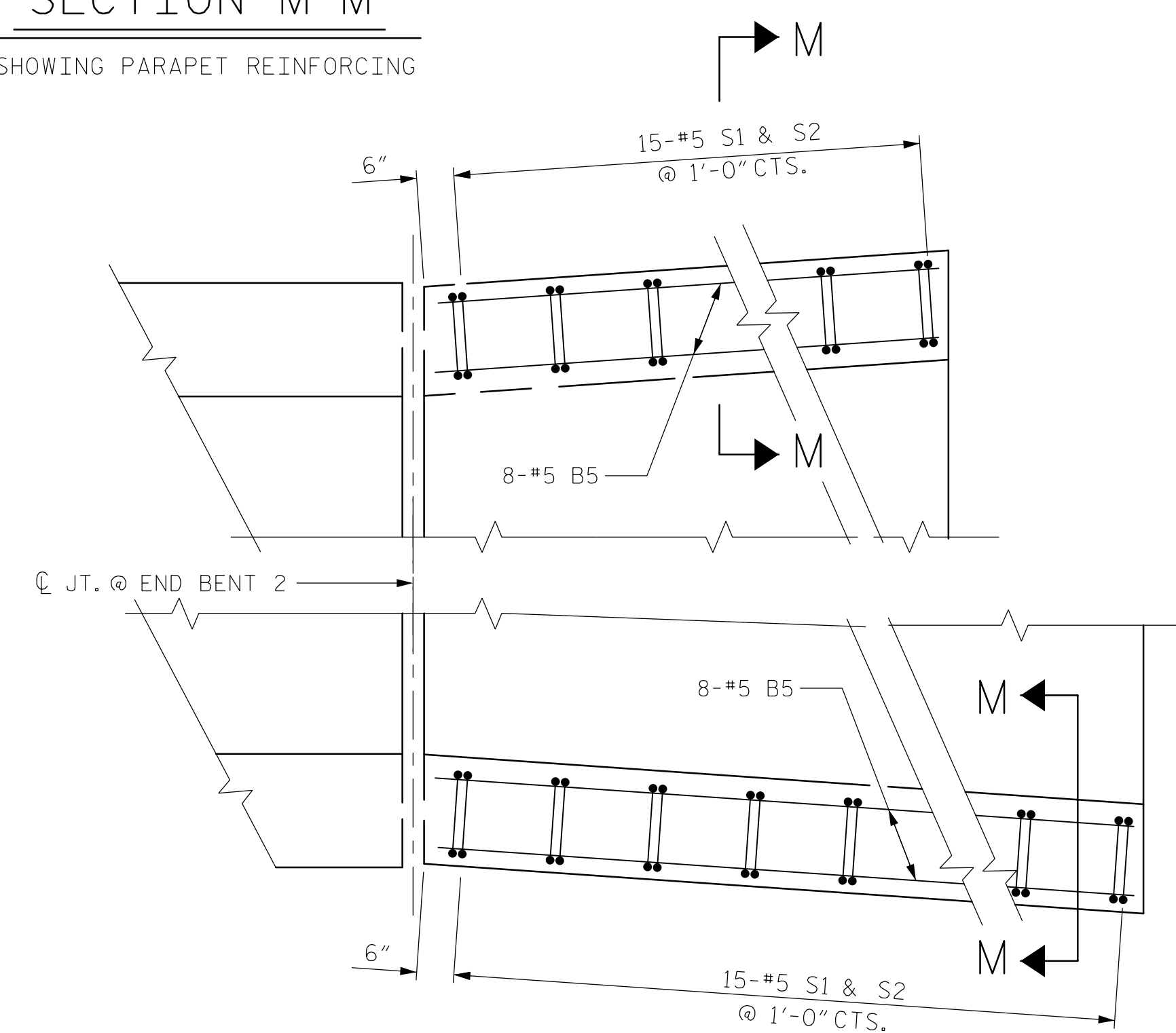
SECTION M-M
SHOWING PARAPET REINFORCING



DETAILS OF SIDEWALK ON APPROACH SLAB



PLAN OF PARAPET AT END BENT 1



PLAN OF PARAPET AT END BENT 2

PROJECT NO. U-5008
MECKLENBURG COUNTY
 STATION: 20+45.05 -L- P.O.T. =
14+54.24 -Y4- P.O.T.
 SHEET 2 OF 3

STATE OF NORTH CAROLINA DEPARTMENT OF TRANSPORTATION RALEIGH					
BRIDGE APPROACH SLAB DETAILS					
REVISIONS					
NO.	BY:	DATE:	NO.	BY:	DATE:
1			3		
2			4		
					SHEET NO. S-77
					SHEETS 78

KCI ASSOCIATES OF NC, P.A.
 9741 SOUTHERN PINE BLVD
 SUITE J
 CHARLOTTE, NC 28273
 704-499-9452
 NC LICENSE No. C-0764

NORTH CAROLINA
 PROFESSIONAL
 SEAL
 032954
 ENGINEER
 JARED C. MEDLIN

2/18/2015 1:10:07 PM Y:\0-Drawings\2011 DWG\Structures\RFC\SH77_U-5008_SD_AS_2.dgn

DJD
 DRAWN BY : R. C. LARSON DATE : 10/15/14
 CHECKED BY : E.C. DECOLA DATE : 10/20/14