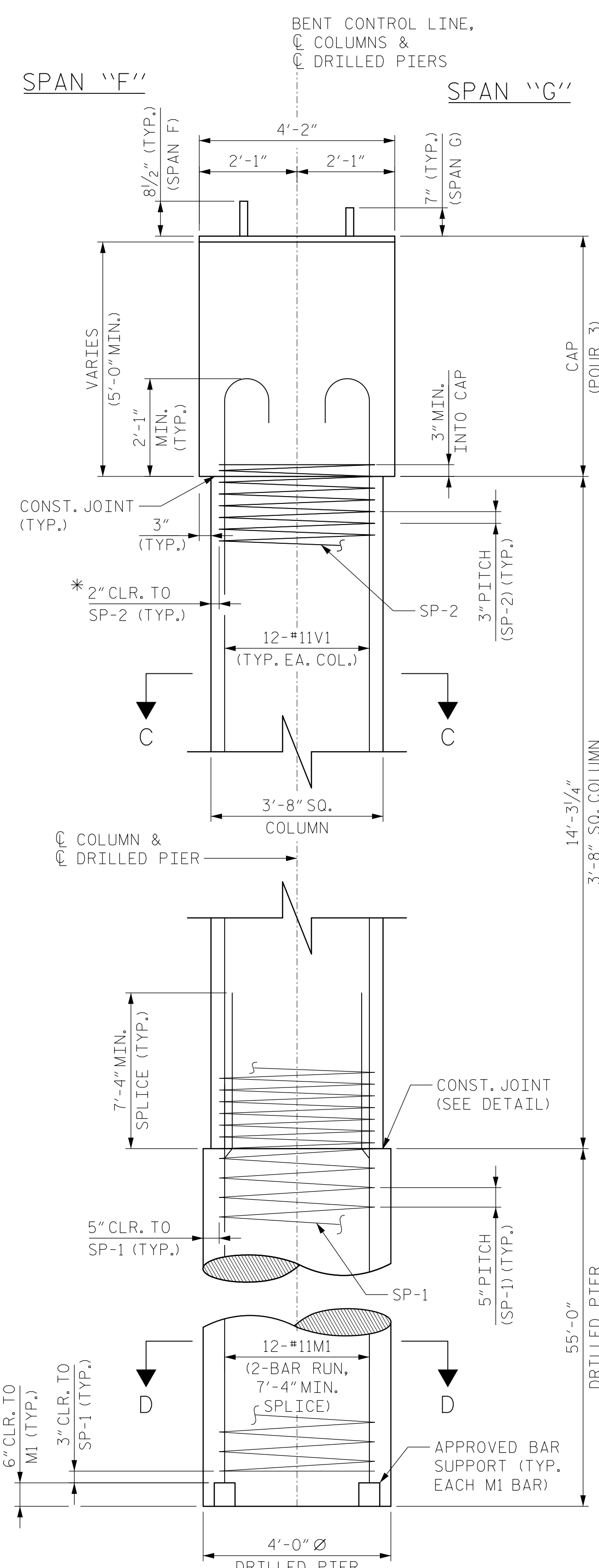
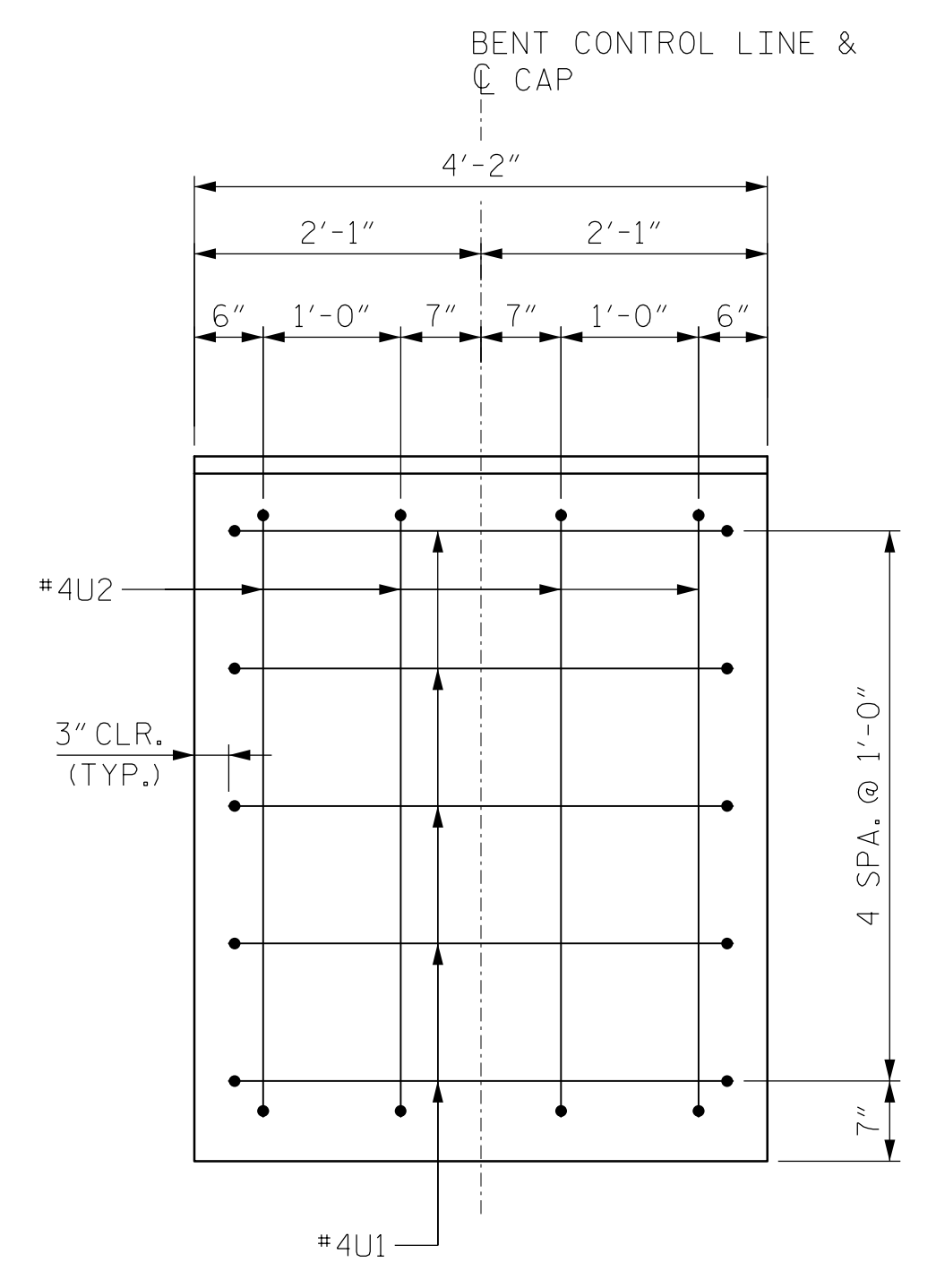


0400DEL_P30

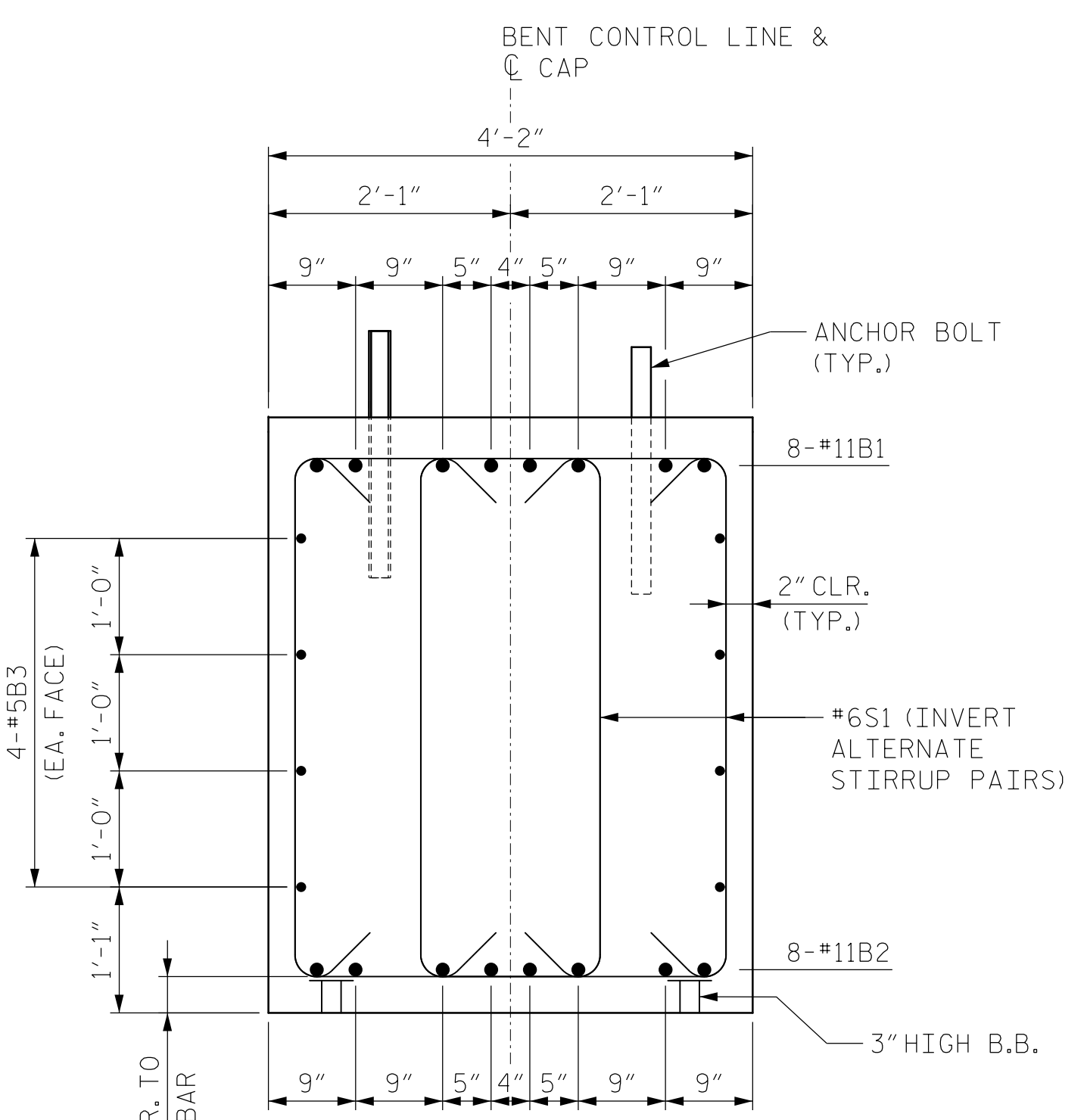


END ELEVATION

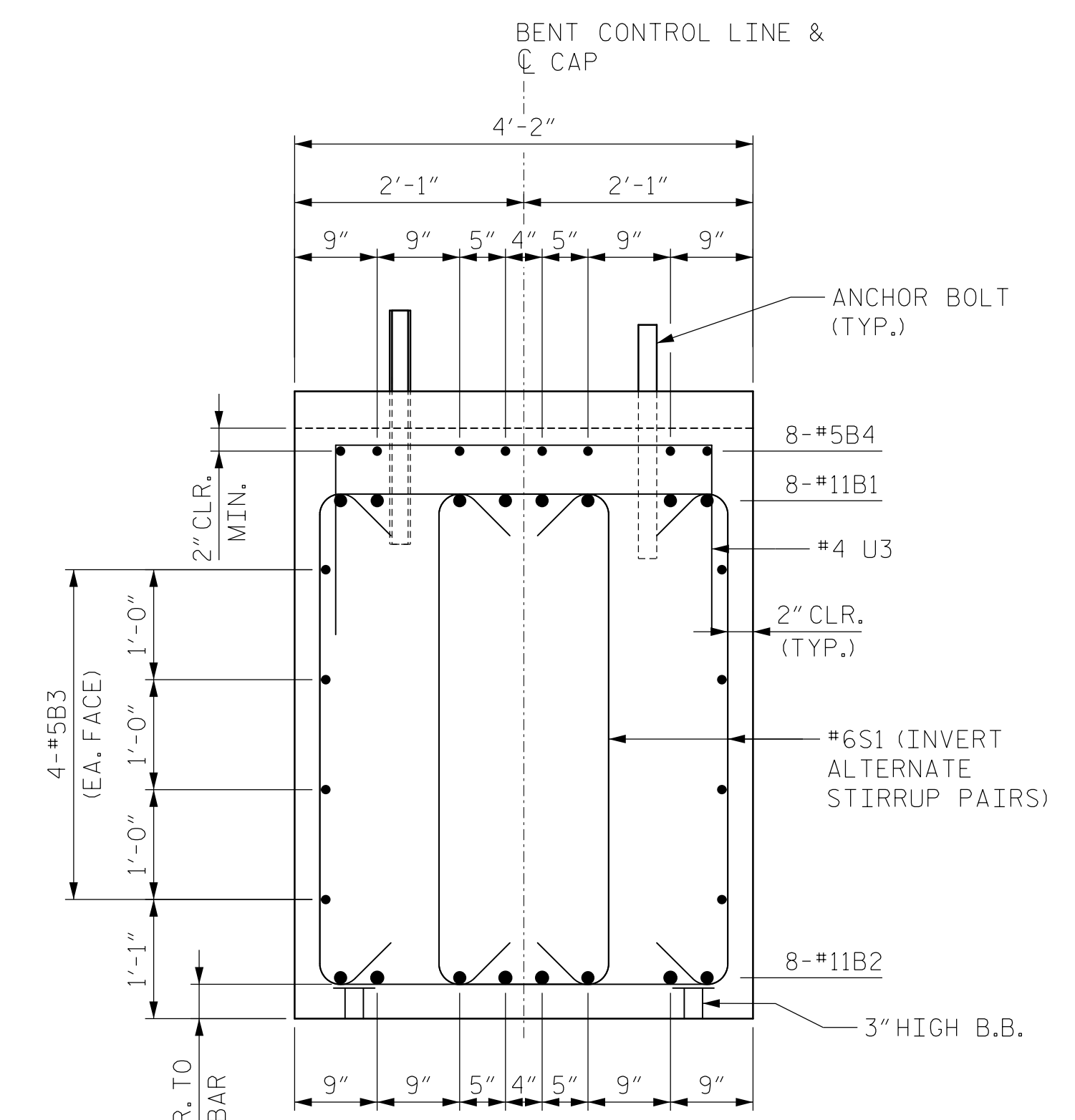
AESTHETIC DETAILS ON COLUMNS NOT SHOWN, FOR CLARITY. SEE SHEET 3 OF 3 FOR AESTHETIC DETAILS



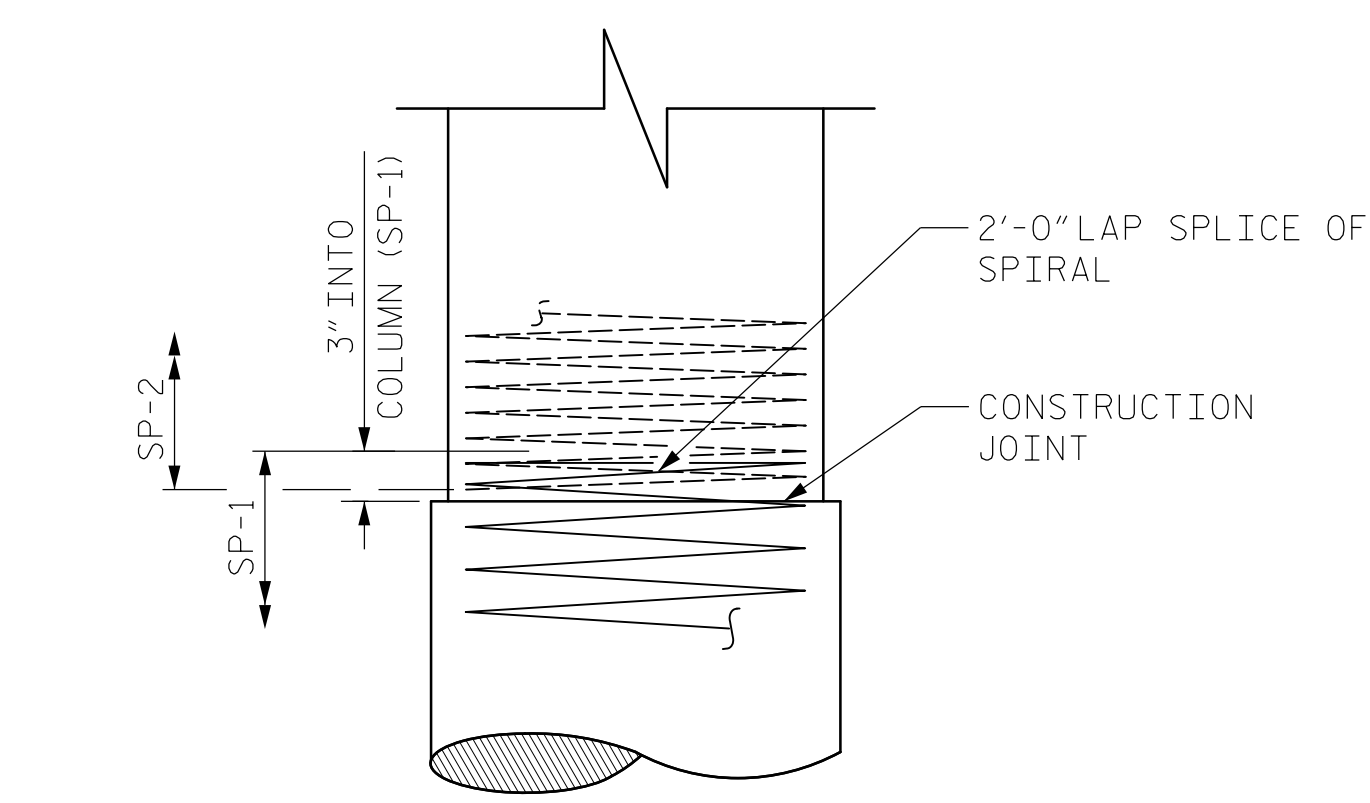
END OF CAP VIEW
(TYP. BOTH ENDS)



SECTION A-A



SECTION B-B



CONSTRUCTION JOINT DETAIL

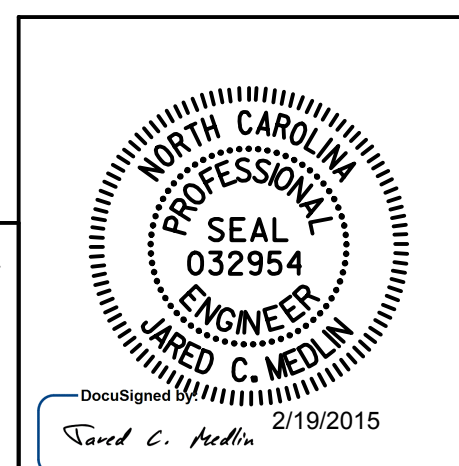
PROJECT NO. U-5008
MECKLENBURG COUNTY
 STATION: 20+45.05 -L- P.O.T. =
14+54.24 -Y4- P.O.T.
 SHEET 2 OF 3

STATE OF NORTH CAROLINA
 DEPARTMENT OF TRANSPORTATION
 RALEIGH

**BENT 6
 DETAILS**

REVISIONS					
NO.	BY:	DATE:	NO.	BY:	DATE:
1			3		
2			4		

SHEET NO. S-71
SHEETS 78



KCI ASSOCIATES OF NC, P.A.
 9741 SOUTHERN PINE BLVD
 SUITE J
 CHARLOTTE, NC 28273
 704-499-9452
 NC LICENSE No. C-0764

2/18/2015 1:10:07 PM Y:\0-Drawings\2011 DWG\5\Bent-6\11-Sugar Creek Rd - NCDOT\Structures\RFC\SH7LJ-5008_SD_B6-02.dgn

DRAWN BY: D.L.KEENER DATE: OCT. 2014
 CHECKED BY: J.C.MEDLIN DATE: OCT. 2014