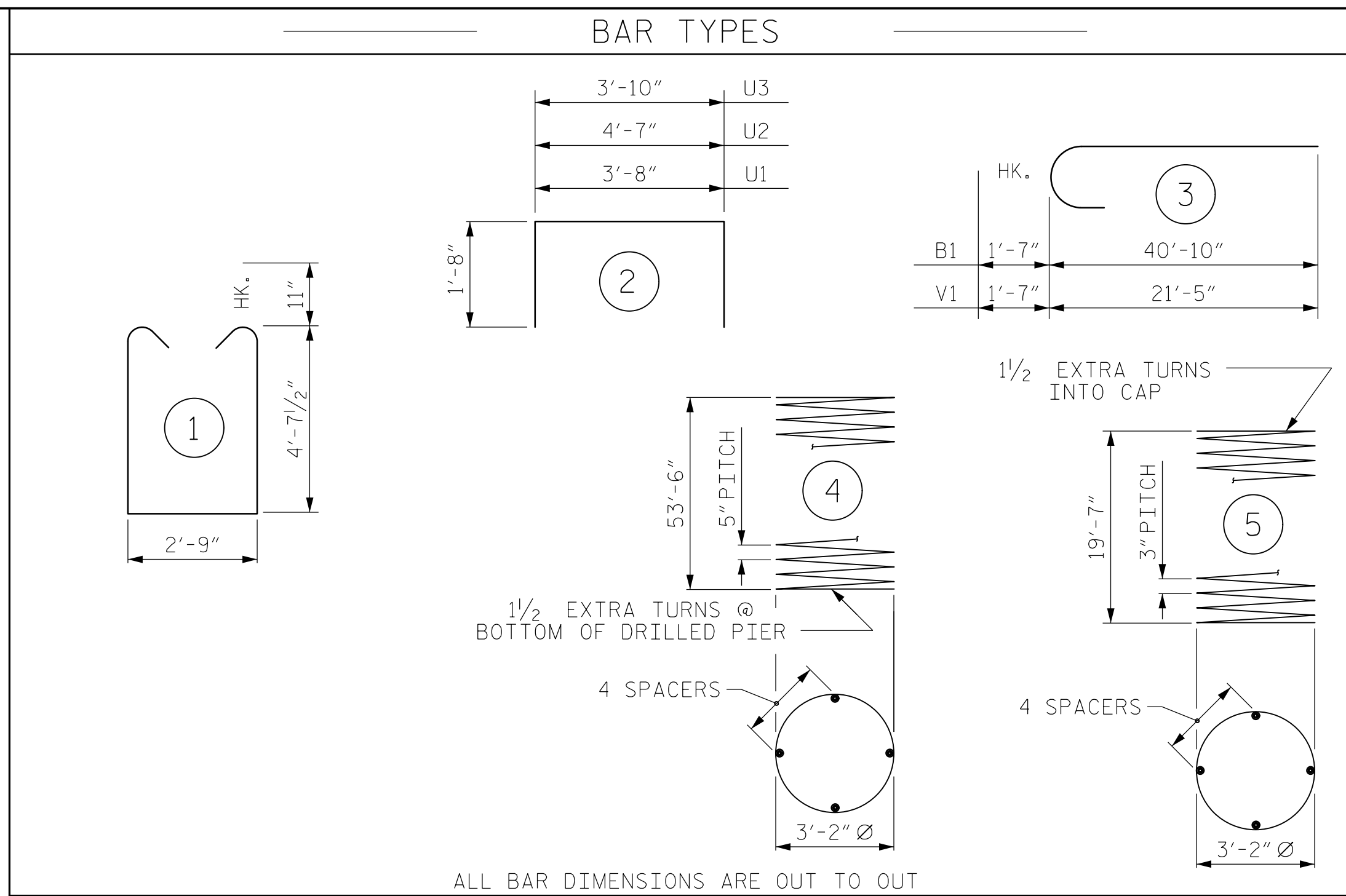
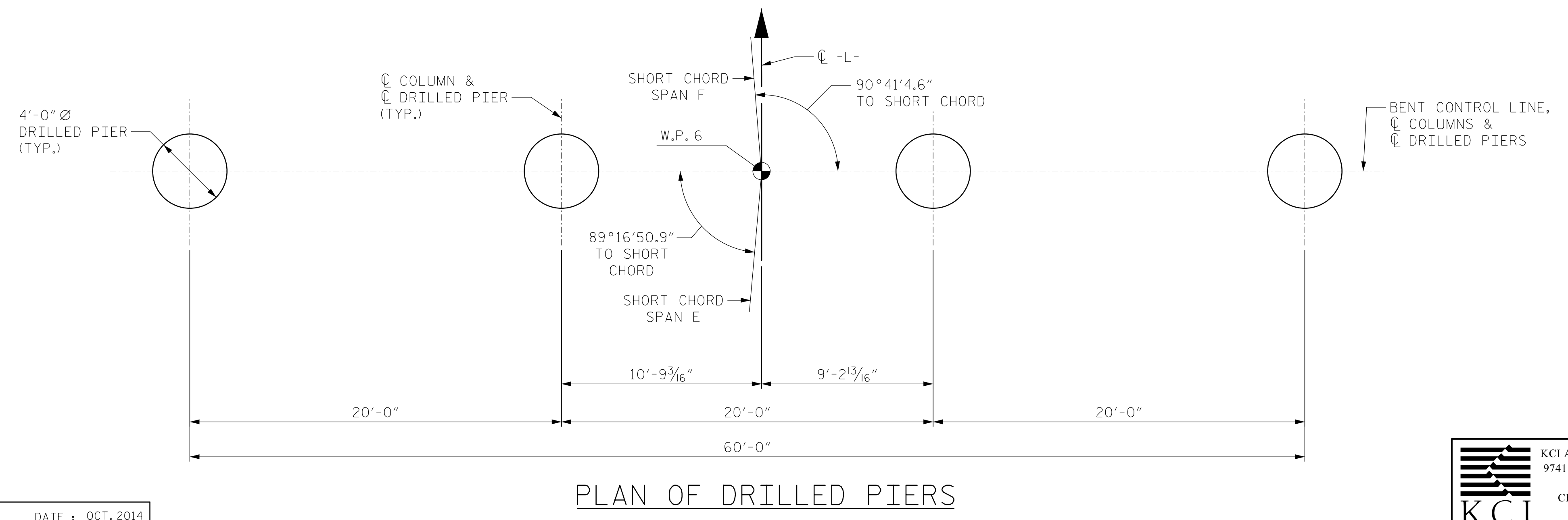
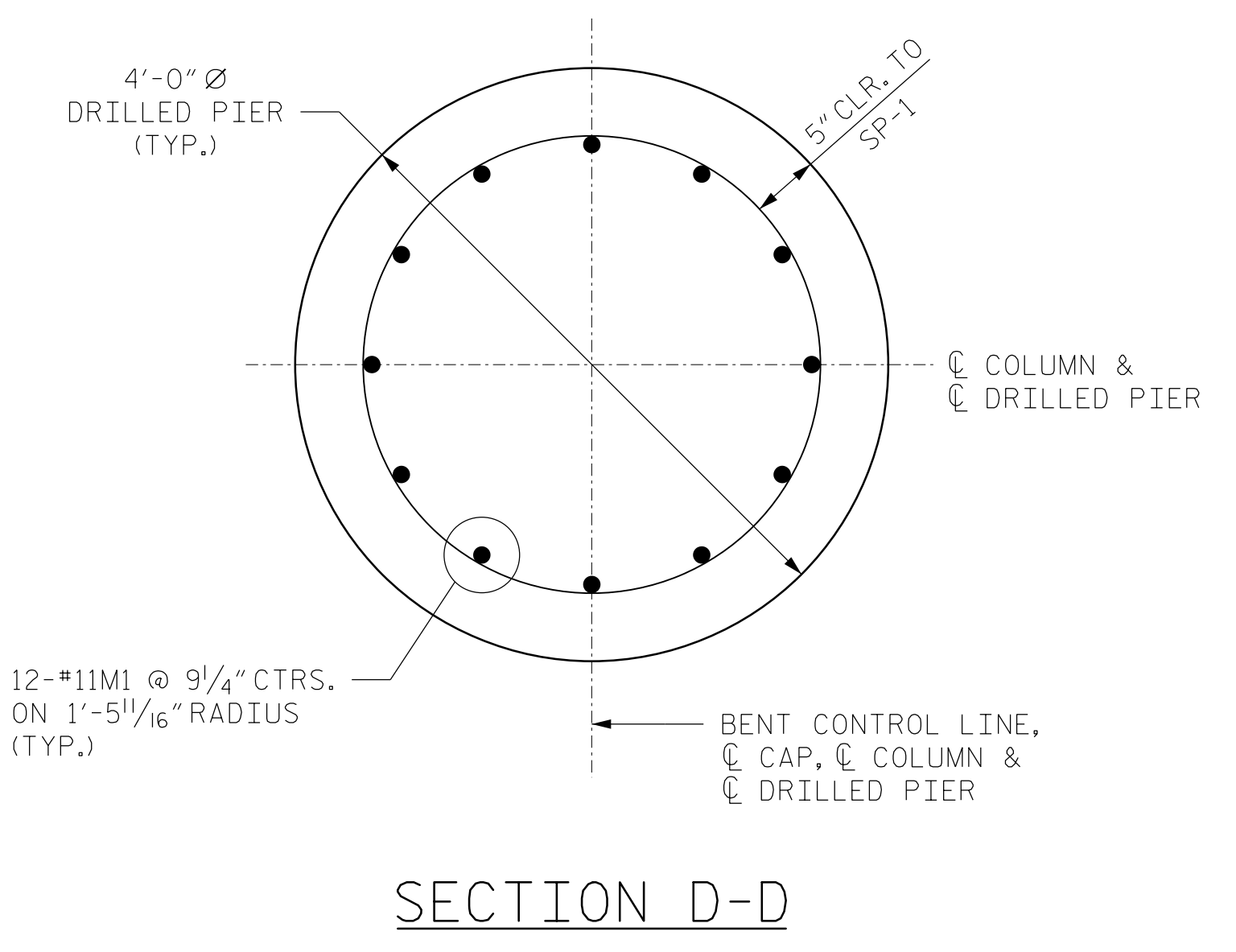
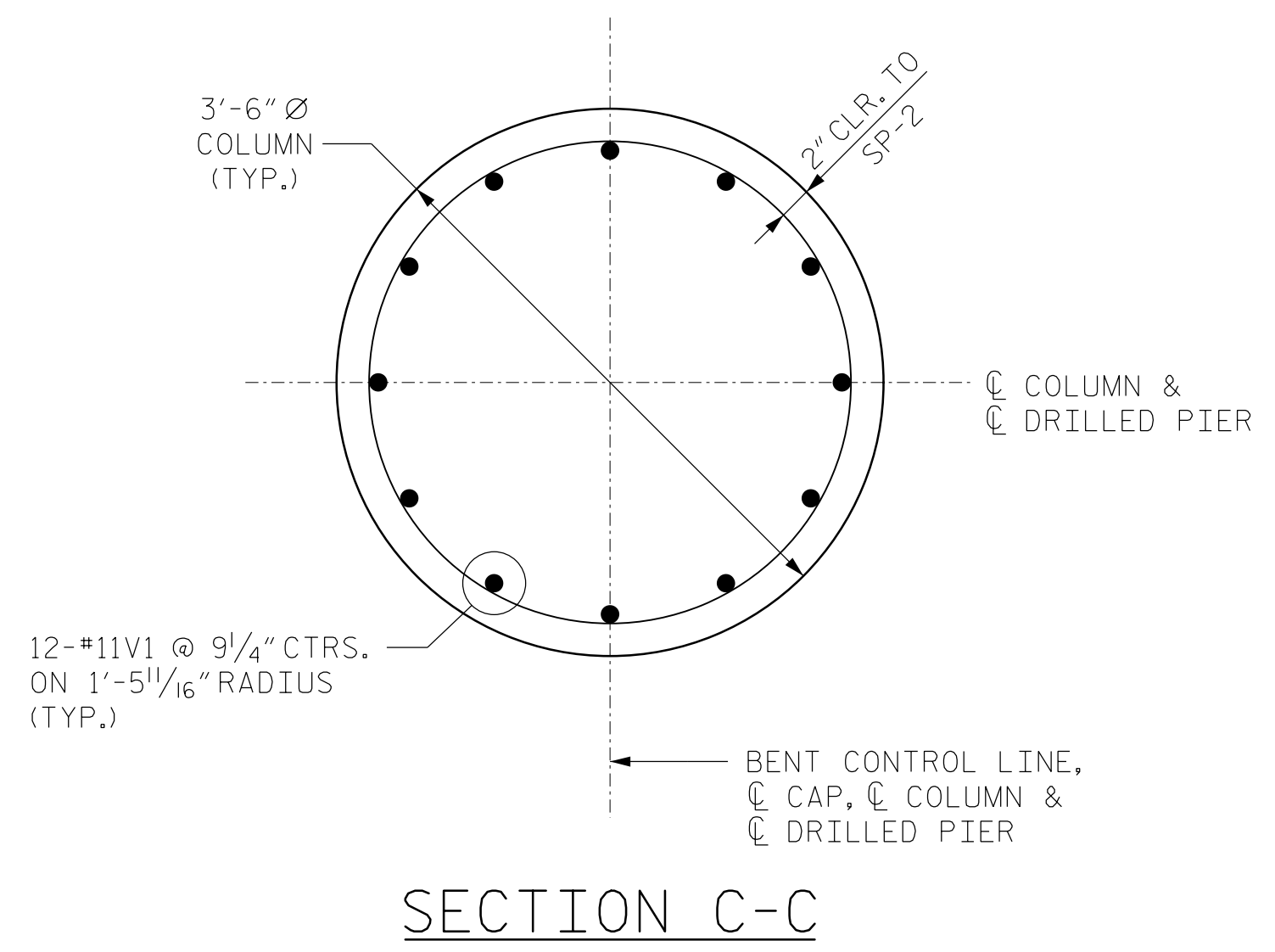


0400DEL_P30



BILL OF MATERIAL FOR ONE BENT					
BAR	NO.	SIZE	TYPE	LENGTH	WEIGHT
B1	16	#11	3	42'-5"	3,606
B2	16	#11	STR	38'-11"	3,308
B3	16	#5	STR	35'-6"	592
B4	8	#5	STR	31'-5"	262
M1	96	#11	STR	36'-0"	18,362
S1	182	#6	1	13'-10"	3,782
U1	10	#4	2	7'-0"	47
U2	8	#4	2	7'-11"	42
U3	73	#4	2	7'-2"	306
V1	48	#11	3	23'-0"	5,866
REINFORCING STEEL (FOR ONE BENT)					36,216 LBS.
SP-1	4	*	4	1293'-5"	5,396
SP-2	4	**	5	791'-2"	2,114
SPIRAL COLUMN REINFORCING STEEL (FOR ONE BENT)					7,510 LBS.
* THE SP-1 SPIRAL REINFORCING STEEL SHALL BE W31 OR D-31 COLD DRAWN WIRE OR #5 PLAIN OR DEFORMED BAR					
** THE SP-2 SPIRAL REINFORCING STEEL SHALL BE W20 OR D-20 COLD DRAWN WIRE OR #4 PLAIN OR DEFORMED BAR					
CLASS A CONCRETE BREAKDOWN (FOR ONE BENT)					
POUR #2 (COLUMNS)					27.6 C.Y.
POUR #3 (CAP)					55.6 C.Y.
TOTAL CLASS A CONCRETE					83.2 C.Y.
DRILLED PIERS: (FOR ONE BENT)					
DRILLED PIER CONCRETE					
POUR #1 (DRILLED PIERS)					100.5 C.Y.
4'-0" DRILLED PIER NOT IN SOIL					48 LIN. FT.
4'-0" DRILLED PIER IN SOIL					168 LIN. FT.
CSL TUBES					888 LIN. FT.

PROJECT NO. U-5008
 MECKLENBURG COUNTY
 STATION: 20+45.05 -L- P.O.T. = 14+54.24 -Y4- P.O.T.

SHEET 3 OF 3

STATE OF NORTH CAROLINA
 DEPARTMENT OF TRANSPORTATION
 RALEIGH

BENT 5
 DETAILS

REVISIONS					
NO.	BY:	DATE:	NO.	BY:	DATE:
1			3		
2			4		

SHEET NO. S-69
 SHEETS 78

KCI ASSOCIATES OF NC, P.A.
 9741 SOUTHERN PINE BLVD
 SUITE J
 CHARLOTTE, NC 28273
 704-499-9452
 NC LICENSE No. C-0764

NORTH CAROLINA
 PROFESSIONAL ENGINEER
 SEAL 032954
 JARED C. MEDLIN
 2/19/2015

2/18/2015 Y:\D:\ewings\2011 DWG\Structures\RFC\SH69_U-5008_SD_B5-03.dgn

DJD DRAWN BY: D.L.KEENER DATE: OCT. 2014
 CHECKED BY: J.C.MEDLIN DATE: OCT. 2014