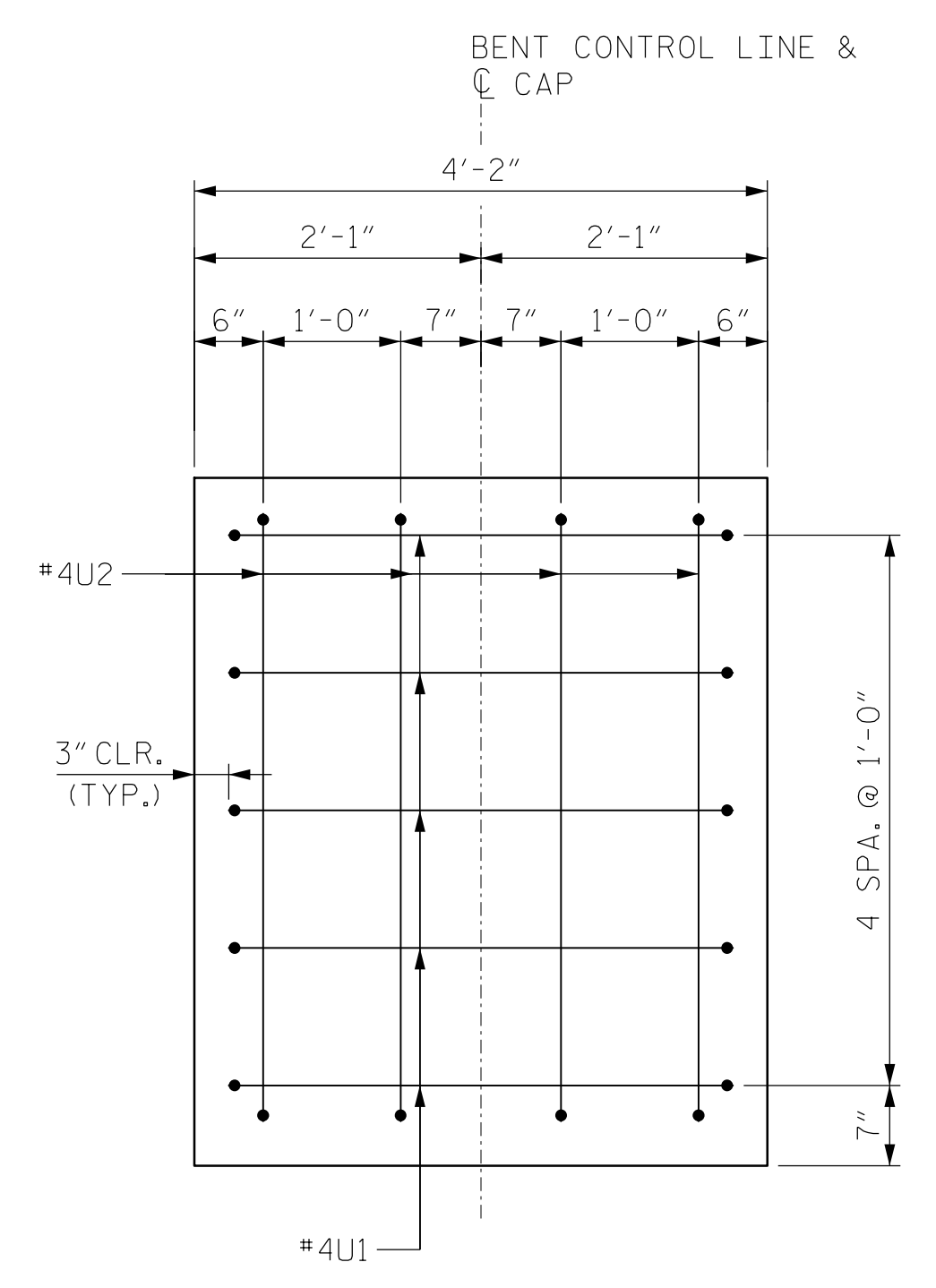
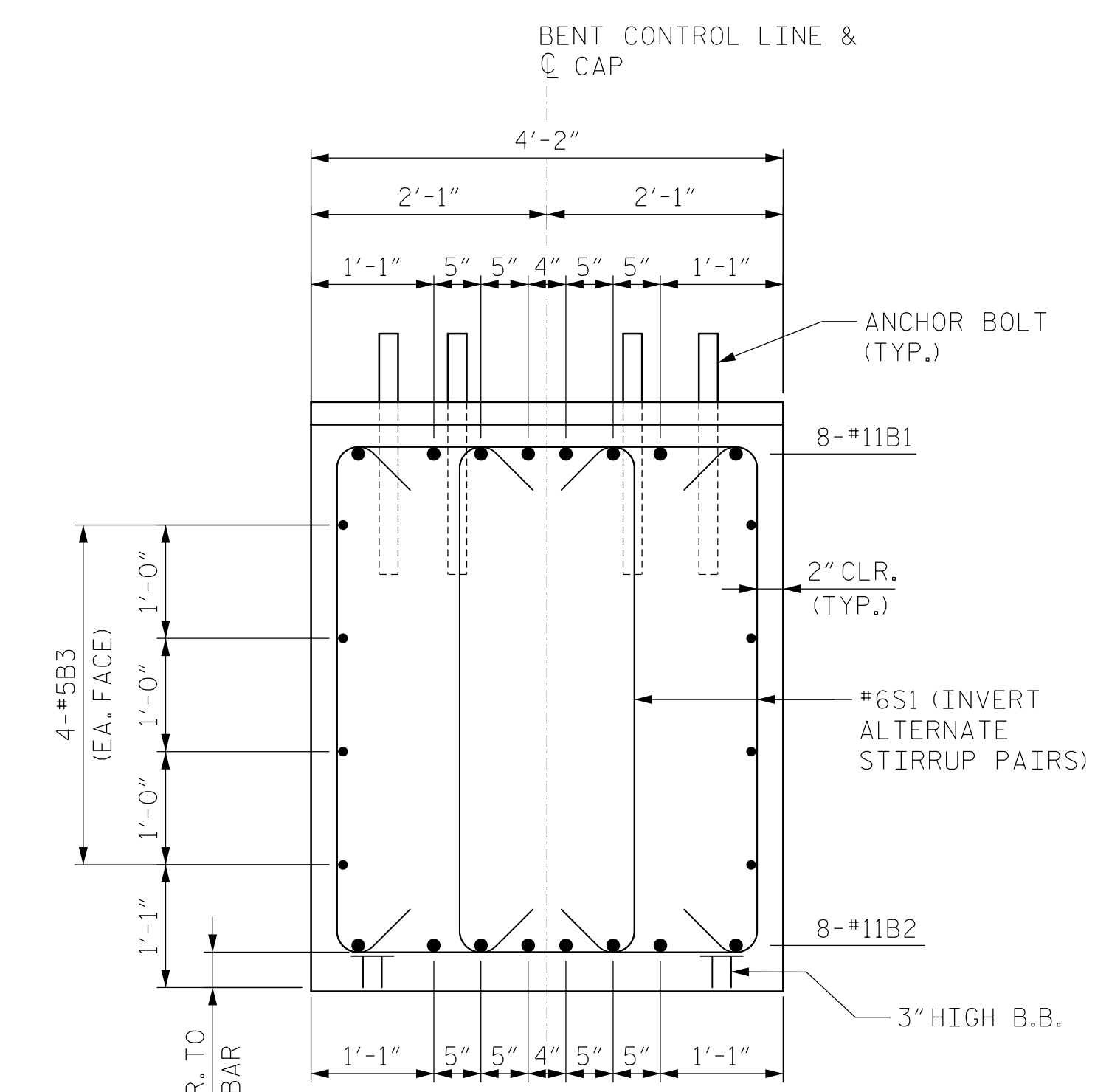


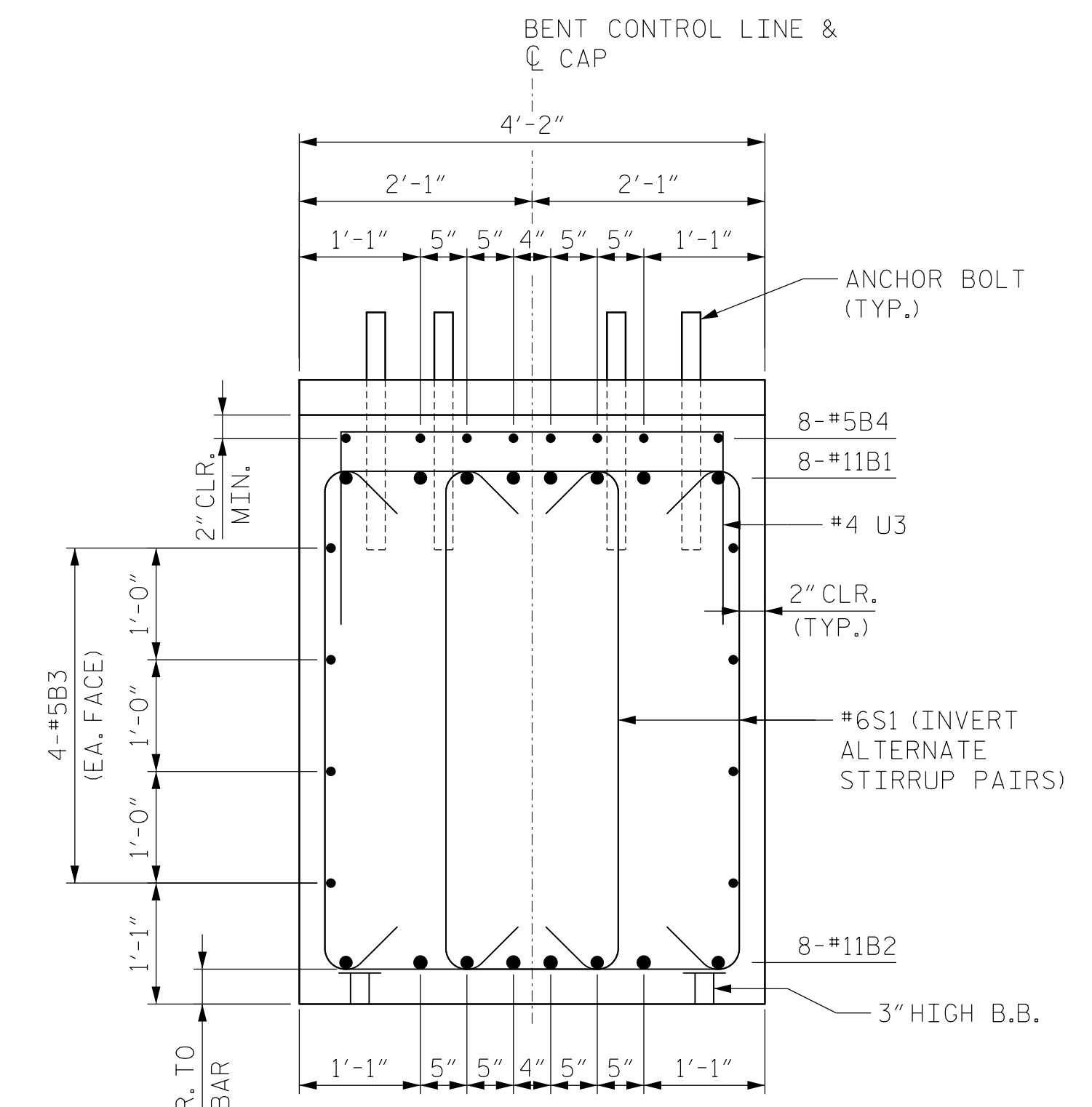
END ELEVATION



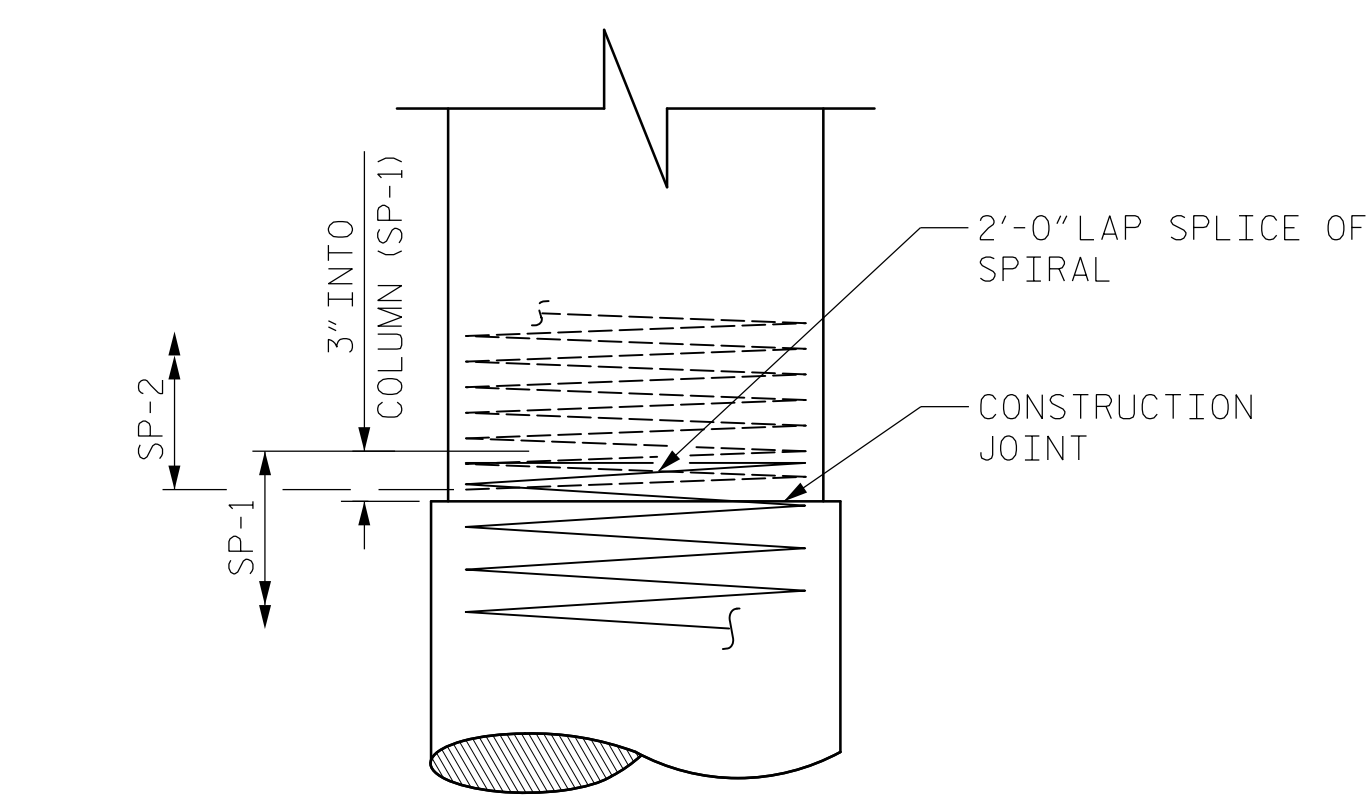
END OF CAP VIEW
(TYP. BOTH ENDS)



SECTION A-A



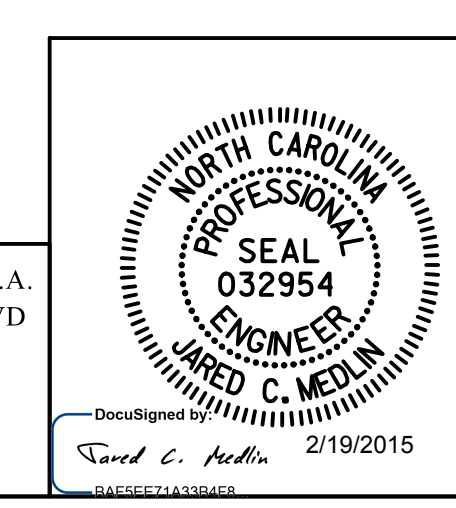
SECTION B-B



CONSTRUCTION JOINT DETAIL

PROJECT NO. U-5008
MECKLENBURG COUNTY
 STATION: 20+45.05 -L- P.O.T. =
14+54.24 -Y4- P.O.T.
 SHEET 3 OF 4

STATE OF NORTH CAROLINA DEPARTMENT OF TRANSPORTATION RALEIGH					
BENT 2 DETAILS					
REVISIONS					
NO.	BY:	DATE:	NO.	BY:	DATE:
1			3		
2			4		
					SHEET NO. S-59
					SHEETS 78



2/18/2015 1:00:00 PM C:\Users\jmedlin\Documents\Projects\U-5008\Drawings\Bent 2 Details.dwg
 DRAWN BY: C.L. RUDISILL DATE: OCT. 2014
 CHECKED BY: J.C. MEDLIN DATE: OCT. 2014