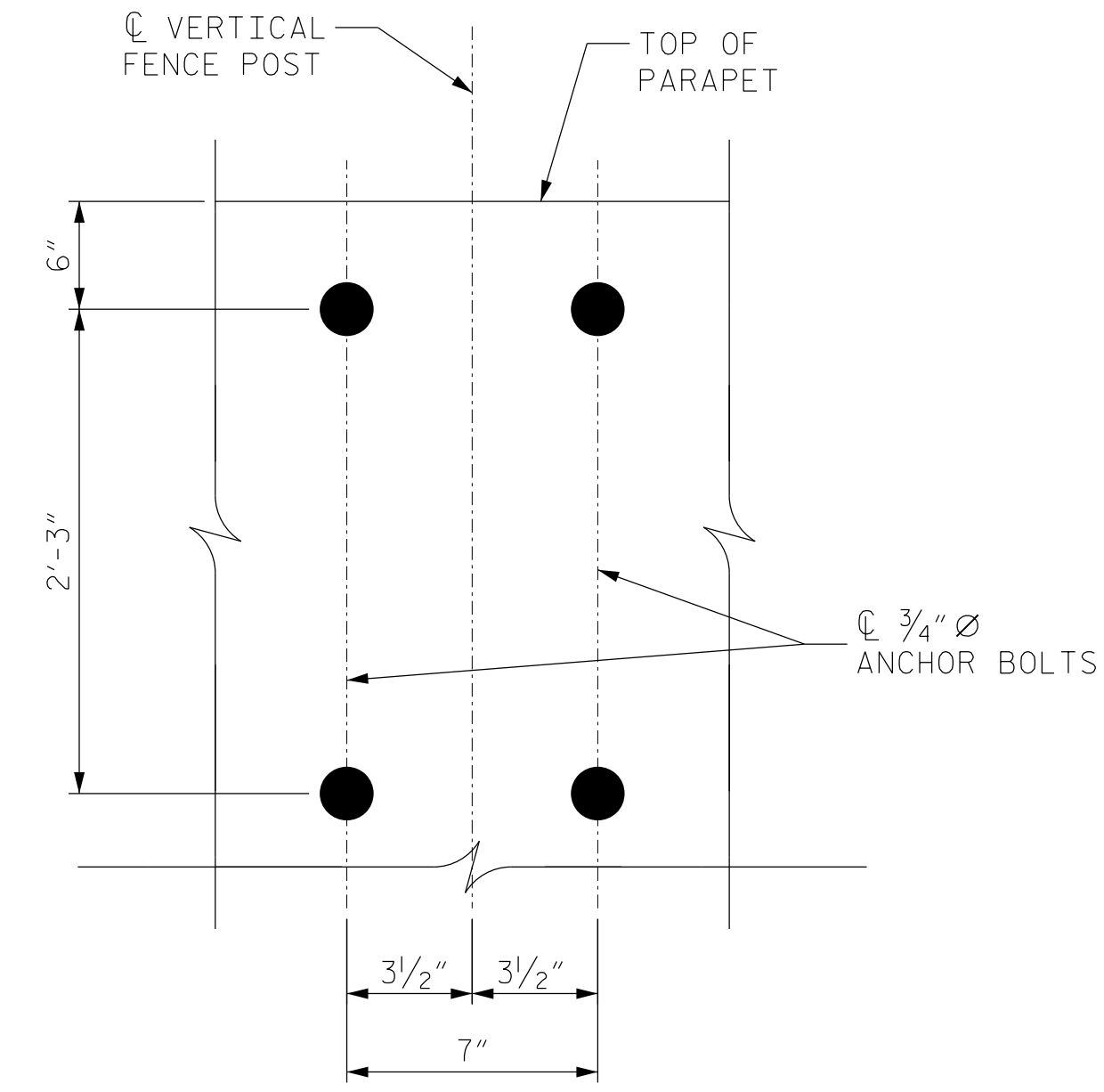
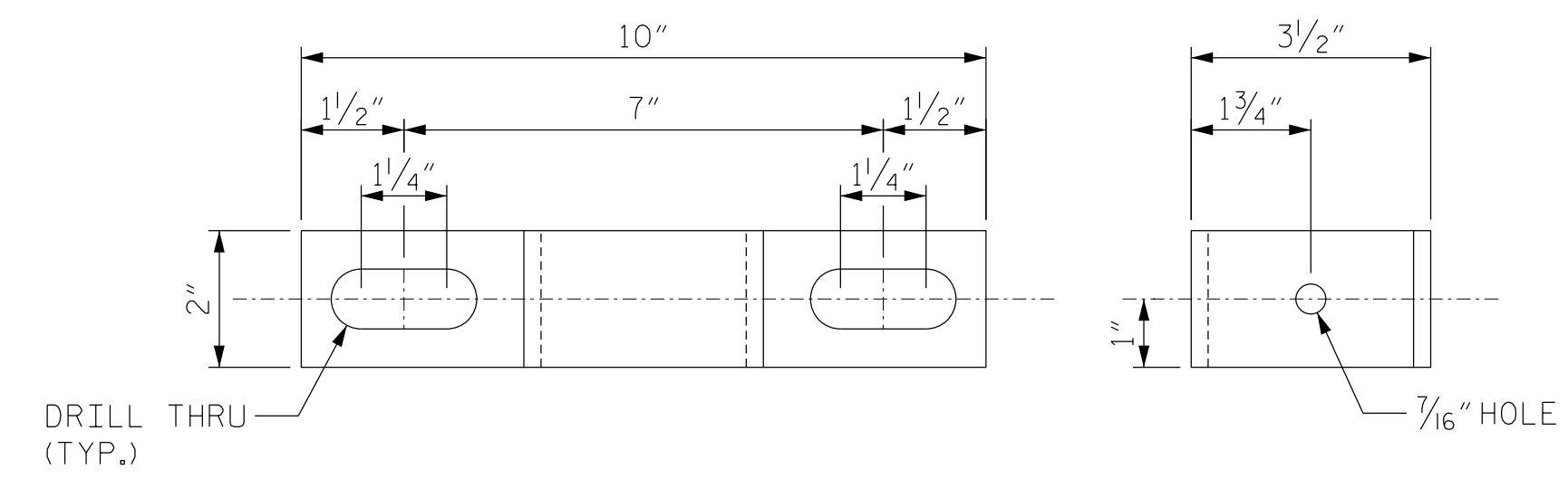


SECTION A-A

(REINFORCEMENT NOT SHOWN FOR CLARITY)

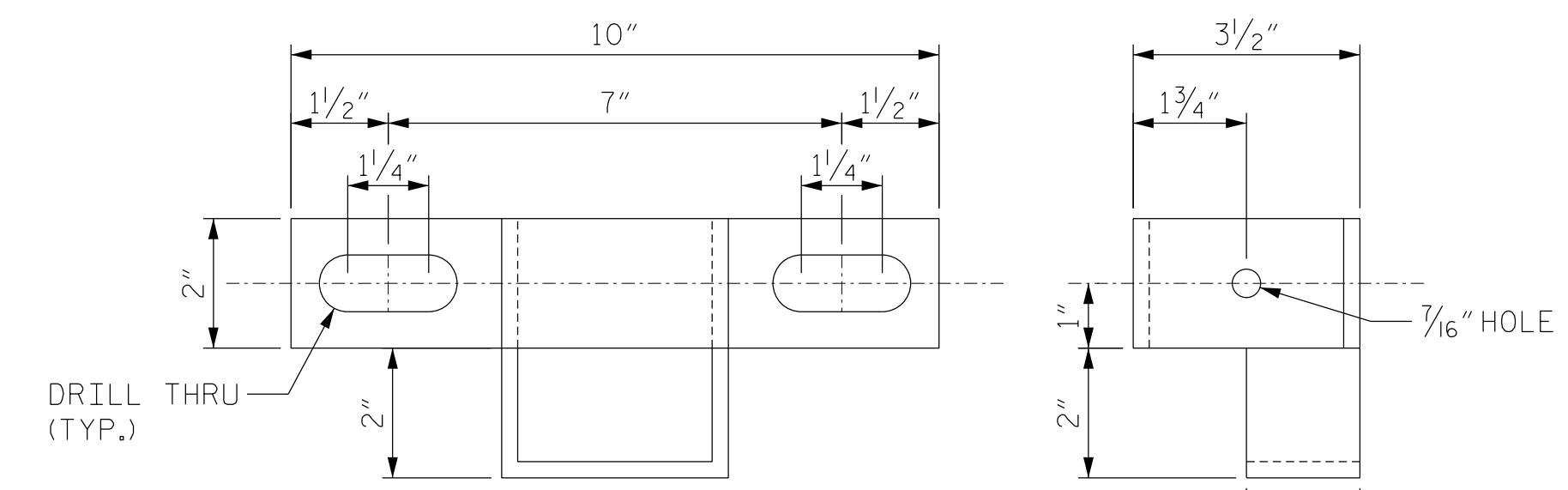


BOLT SETTING DETAIL



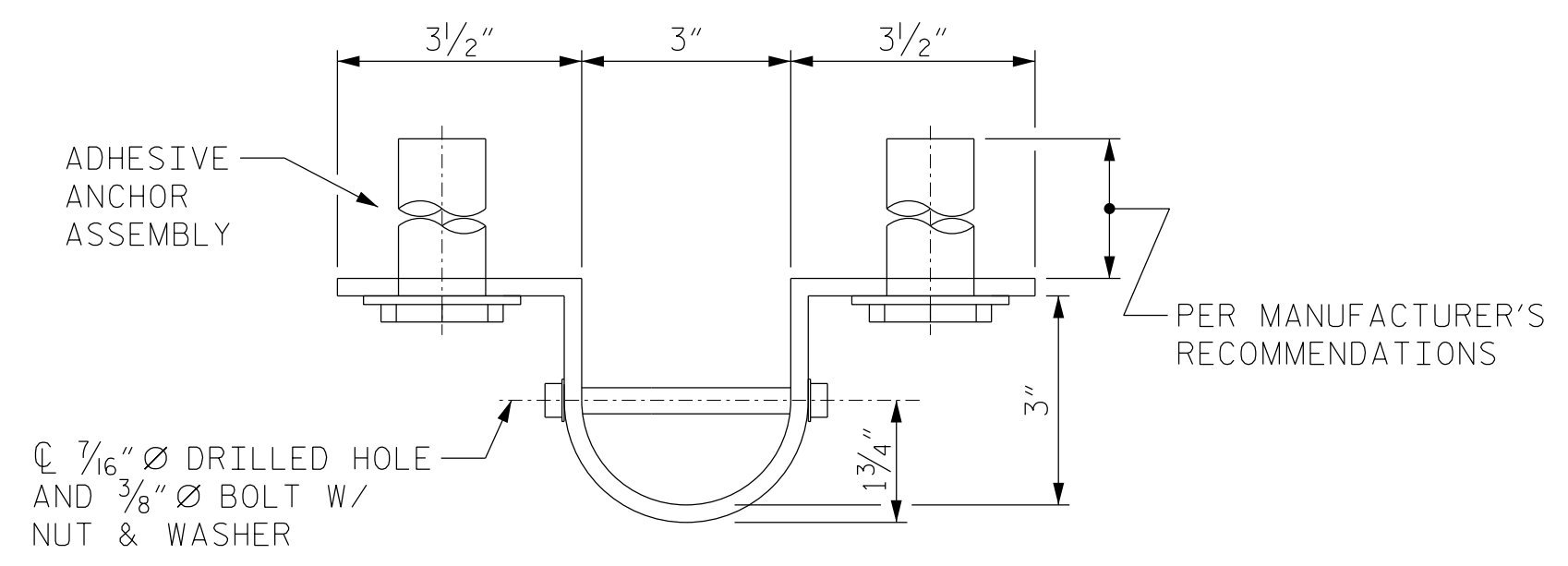
ELEVATION

RIGHT SIDE VIEW

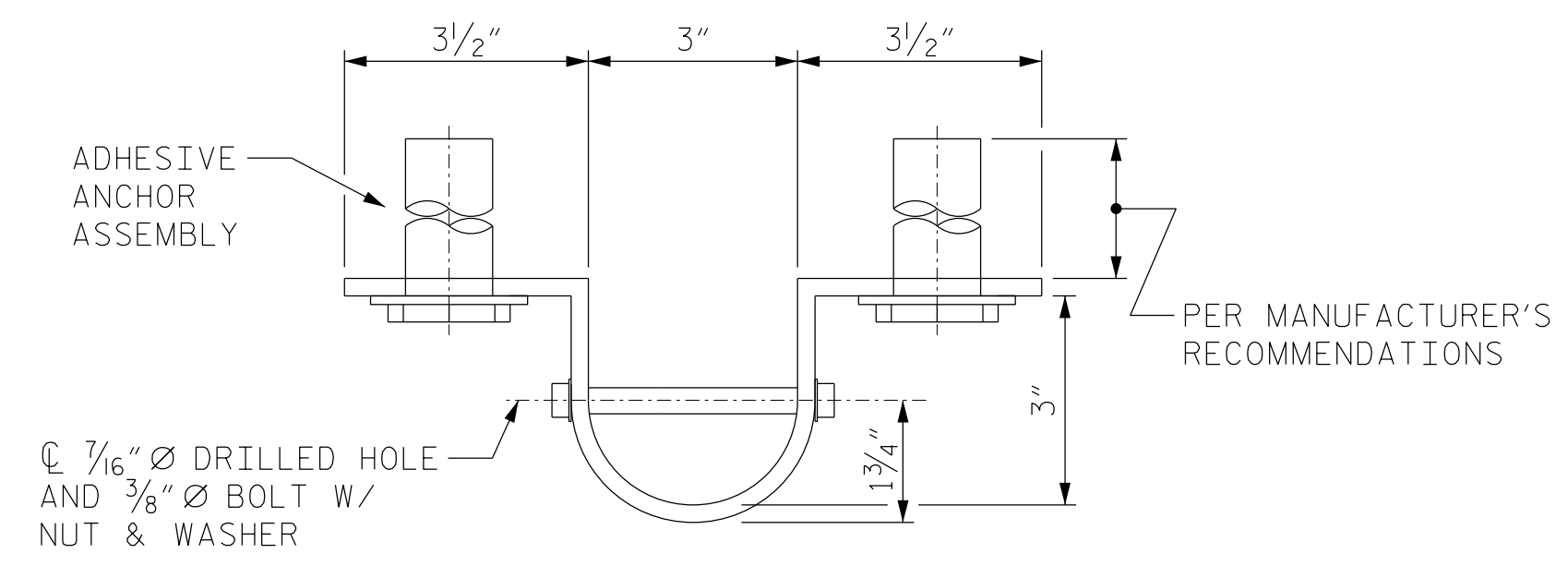


ELEVATION

RIGHT SIDE VIEW



TOP POST BRACKET

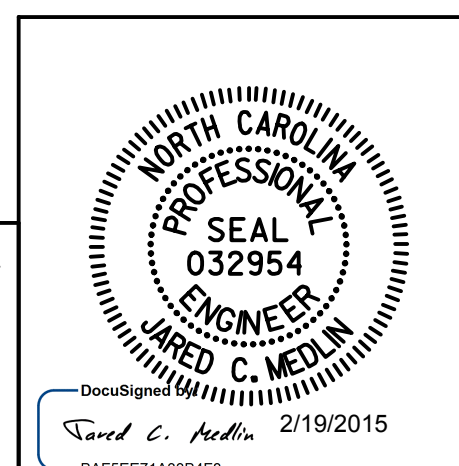


BOTTOM POST BRACKET

PROJECT NO. U-5008
MECKLENBURG COUNTY
 STATION: 20+45.05 -L- P.O.T. =
14+54.24 -Y4- P.O.T.
 SHEET 2 OF 2

STATE OF NORTH CAROLINA
 DEPARTMENT OF TRANSPORTATION
 RALEIGH

CHAIN LINK FENCE
 DETAILS



KCI ASSOCIATES OF NC, P.A.
 9741 SOUTHERN PINE BLVD
 SUITE J
 CHARLOTTE, NC 28273
 704-499-9452
 NC LICENSE No. C-0764

REVISIONS						SHEET NO.	
NO.	BY:	DATE:	NO.	BY:	DATE:	S-45	
1			3			SHEETS	
2			4			78	

DRAWN BY : C.L.RUDISILL DATE : OCT. 2014
 CHECKED BY : J.C.MEDLIN DATE : OCT. 2014