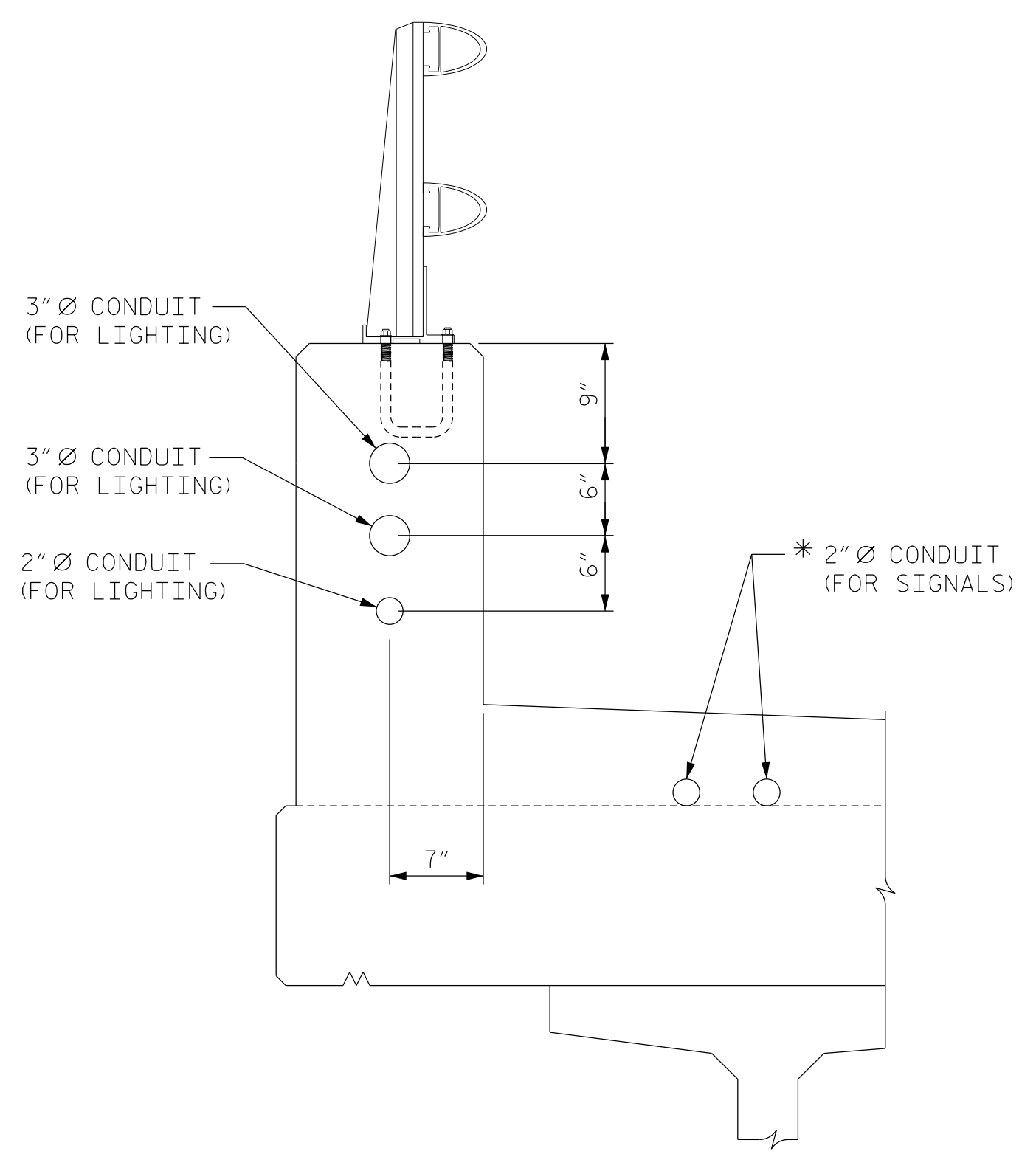
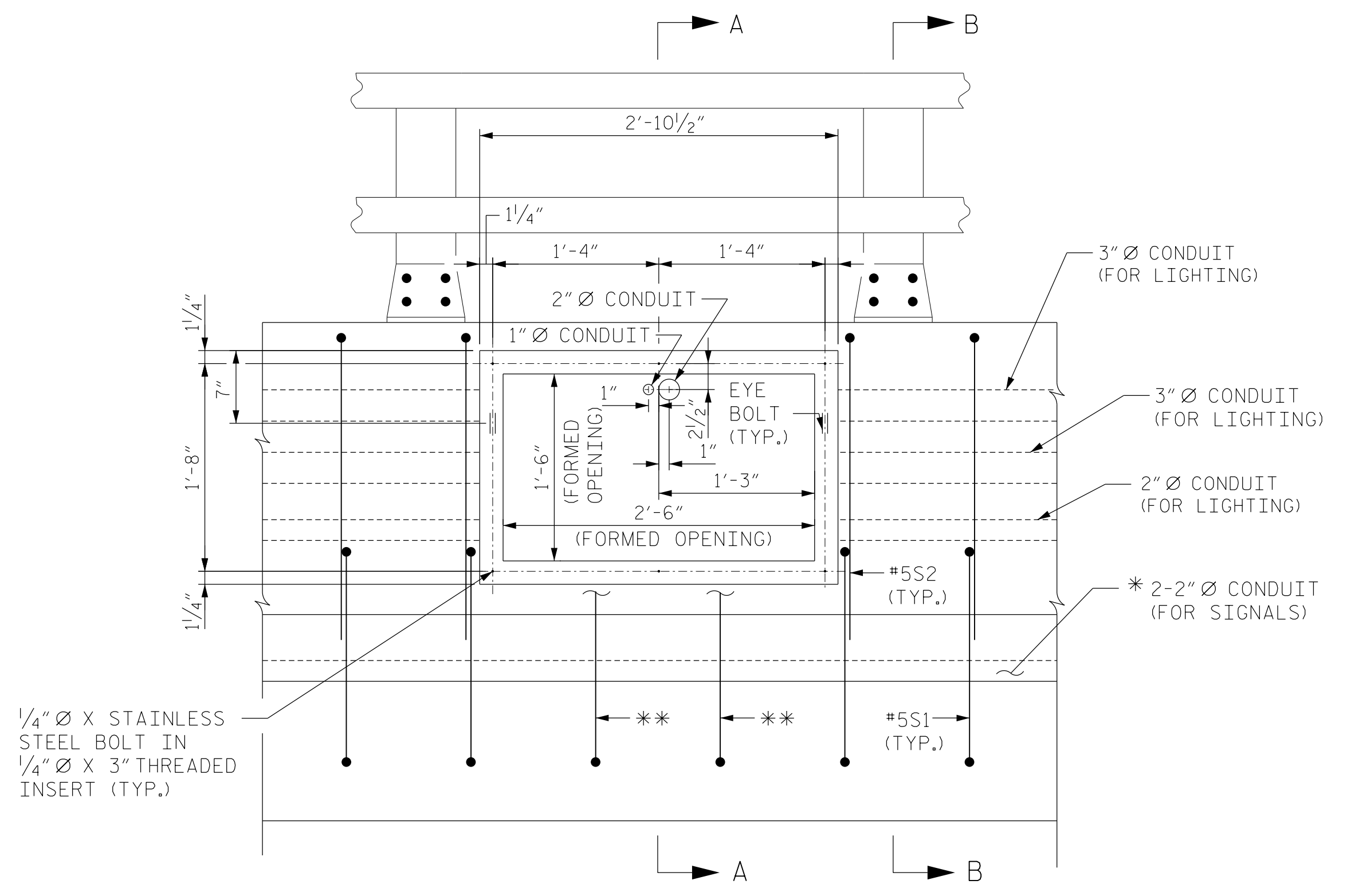


SECTION A-A

(COVER \neq NOT SHOWN FOR CLARITY. SEE DETAIL "A" FOR COVER PLATE MOUNTING DETAILS) (ADJUST LOCATION OF CONDUITS AT JUNCTION BOXES AS NECESSARY.)



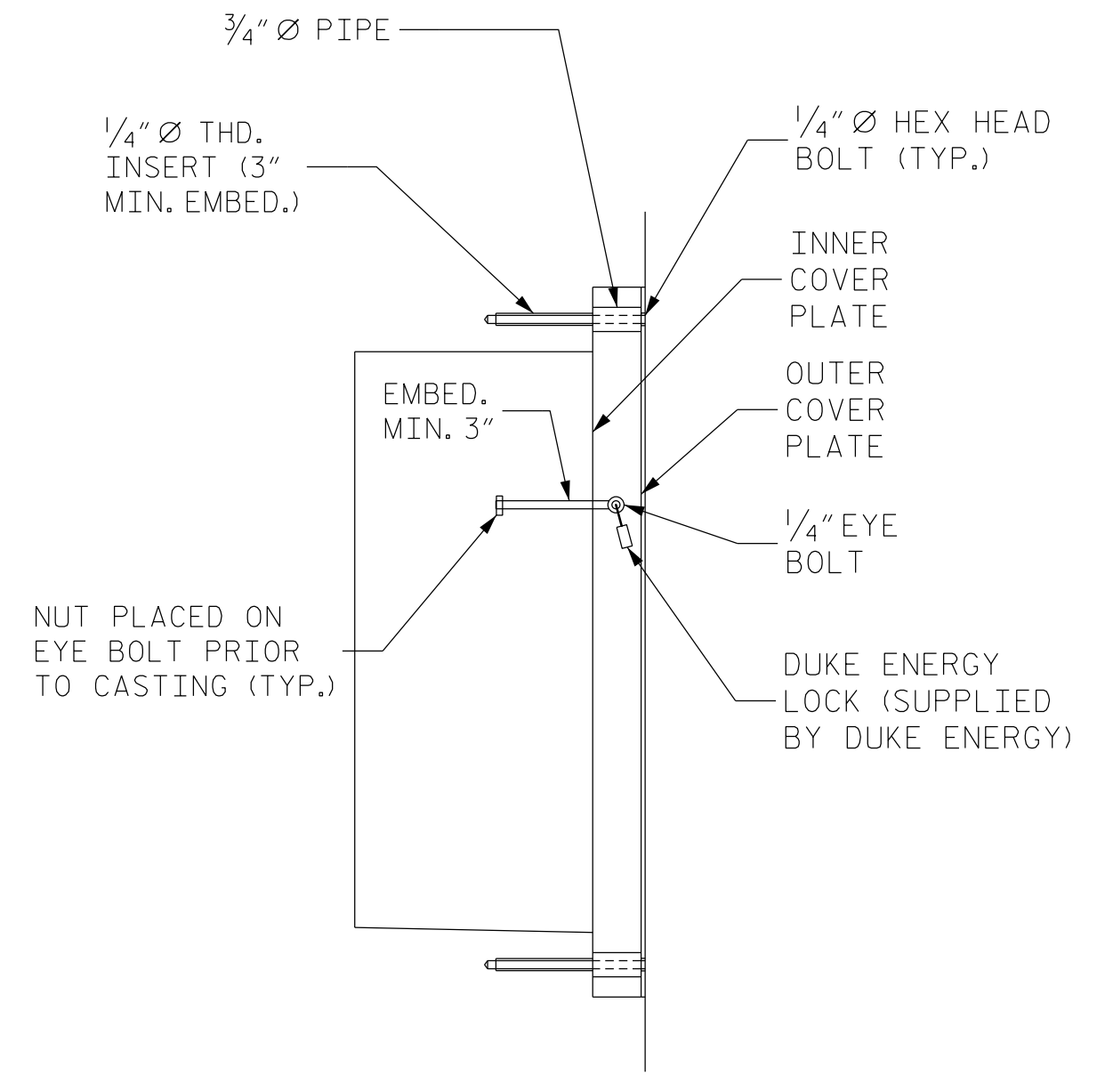
SECTION B-B



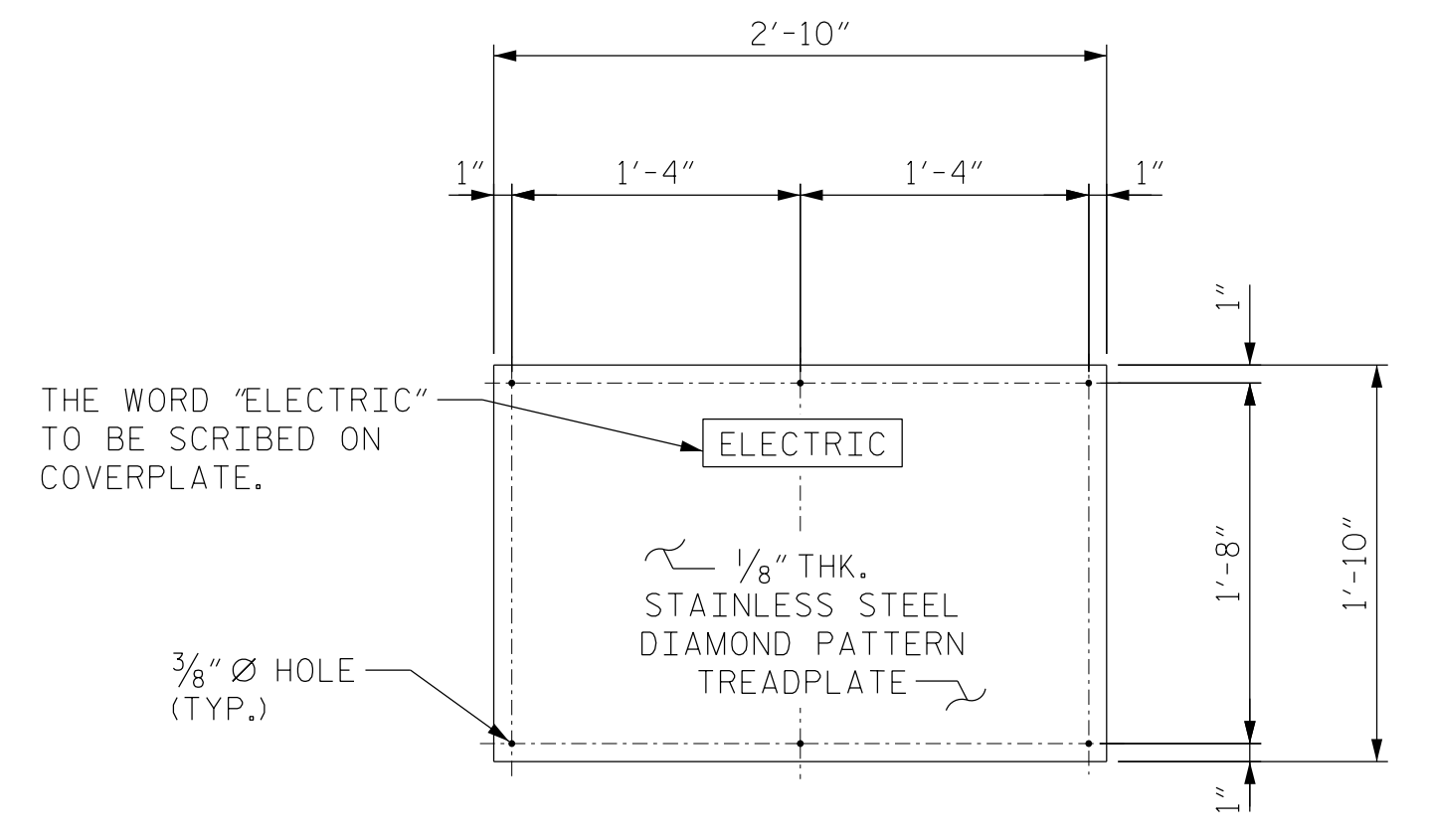
ELEVATION @ CONDUIT BOX

(COVER PLATE NOT SHOWN FOR CLARITY)

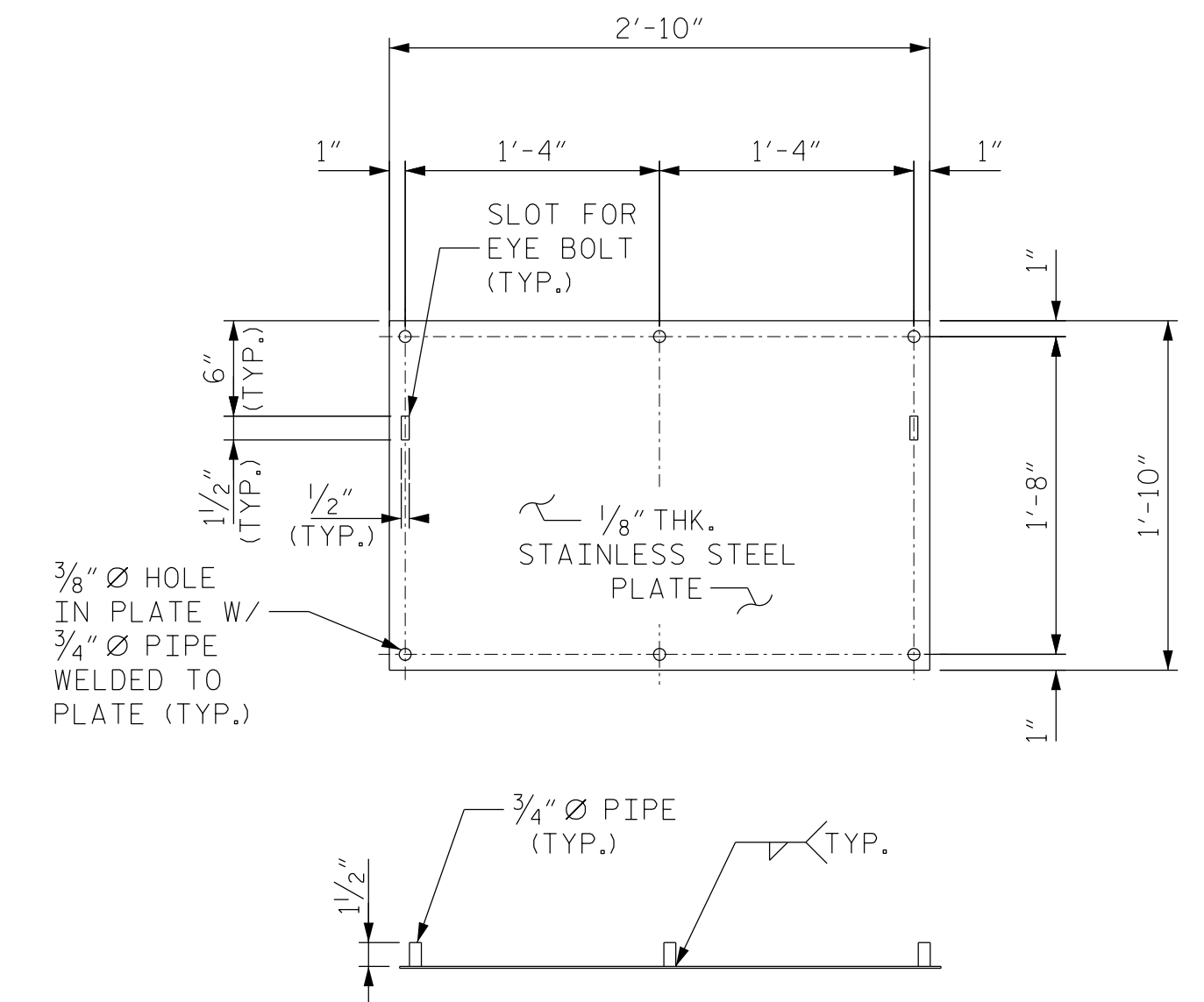
* 2" Ø SCH. 80 PVC CONDUIT FOR SIGNAL USE IS USED ON THE LEFT SIDE OF THE BRIDGE (LOOKING UPSTATION) ONLY. THERE ARE NO 2" Ø CONDUIT FOR SIGNAL UTILITY USE ON THE RIGHT SIDE.
 ** FIELD CUT #5S1 BARS AS NECESSARY. REPAIR COATING PER SECTION 1070-7 OF THE STANDARD SPECIFICATIONS



DETAIL "A"



OUTER COVER PLATE



INNER COVER PLATE

FOR NOTES, SEE "CONDUIT AND JUNCTION BOX DETAILS, SHEET 1 OF 2"

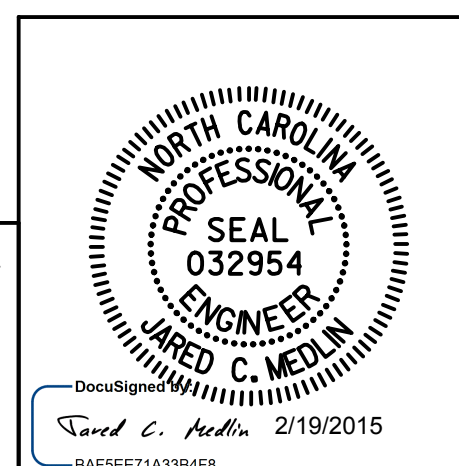
PROJECT NO. U-5008
MECKLENBURG COUNTY
 STATION: 20+45.05 -L- P.O.T. =
14+54.24 -Y4- P.O.T.
 SHEET 2 OF 2

STATE OF NORTH CAROLINA
 DEPARTMENT OF TRANSPORTATION
 RALEIGH

CONDUIT & JUNCTION BOX DETAILS

REVISIONS					
NO.	BY:	DATE:	NO.	BY:	DATE:
1			3		
2			4		

SHEET NO. S-42
 SHEETS 78



KCI ASSOCIATES OF NC, P.A.
 9741 SOUTHERN PINE BLVD SUITE J
 CHARLOTTE, NC 28273
 704-499-9452
 NC LICENSE No. C-0764

2/18/2015 1:10:07 PM Y:\0-Drawings\2011 DWG\Structures\RFC\SH42_U-5008_SD_CON2.dgn

DJD DRAWN BY: M.S.WILSON DATE: OCT. 2014
 CHECKED BY: J.C.MEDLIN DATE: OCT. 2014