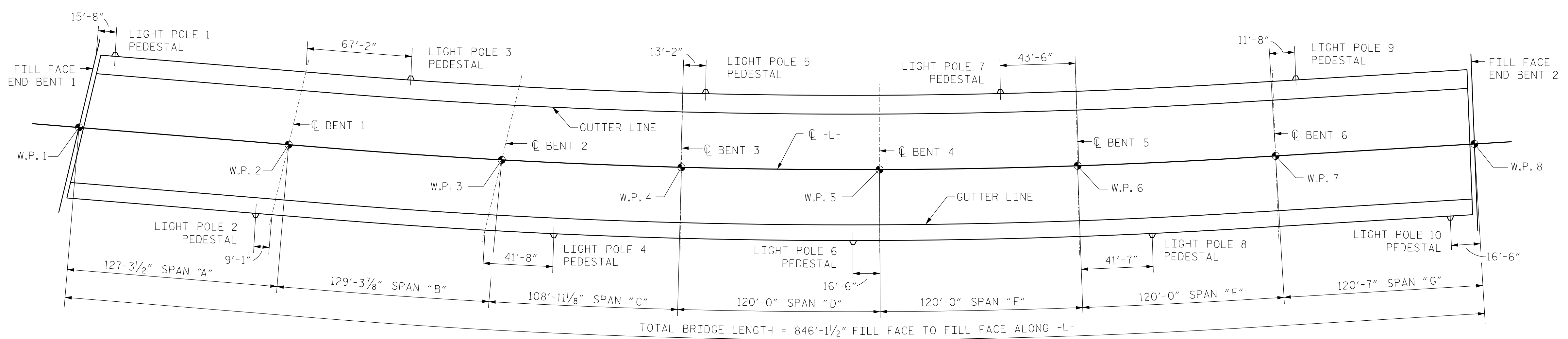


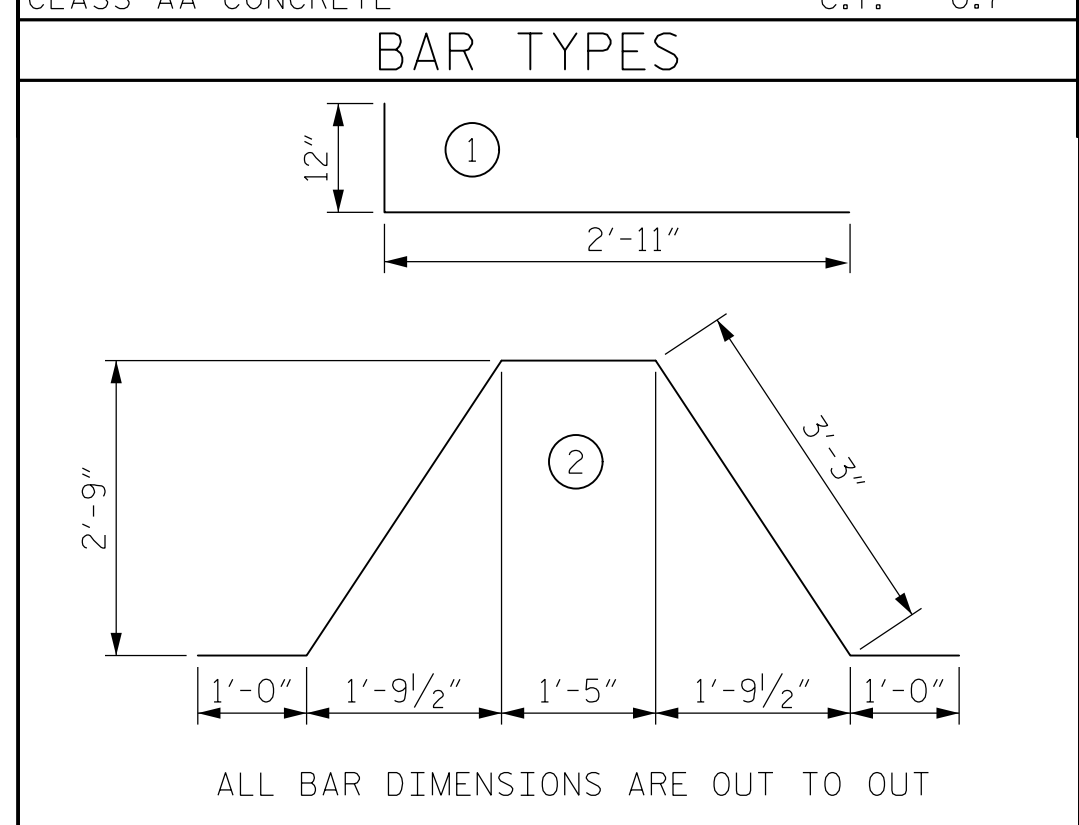
0400DEL\_P30



NOTE: PEDESTAL MEASUREMENTS ARE ALONG OUTSIDE OF PARAPET

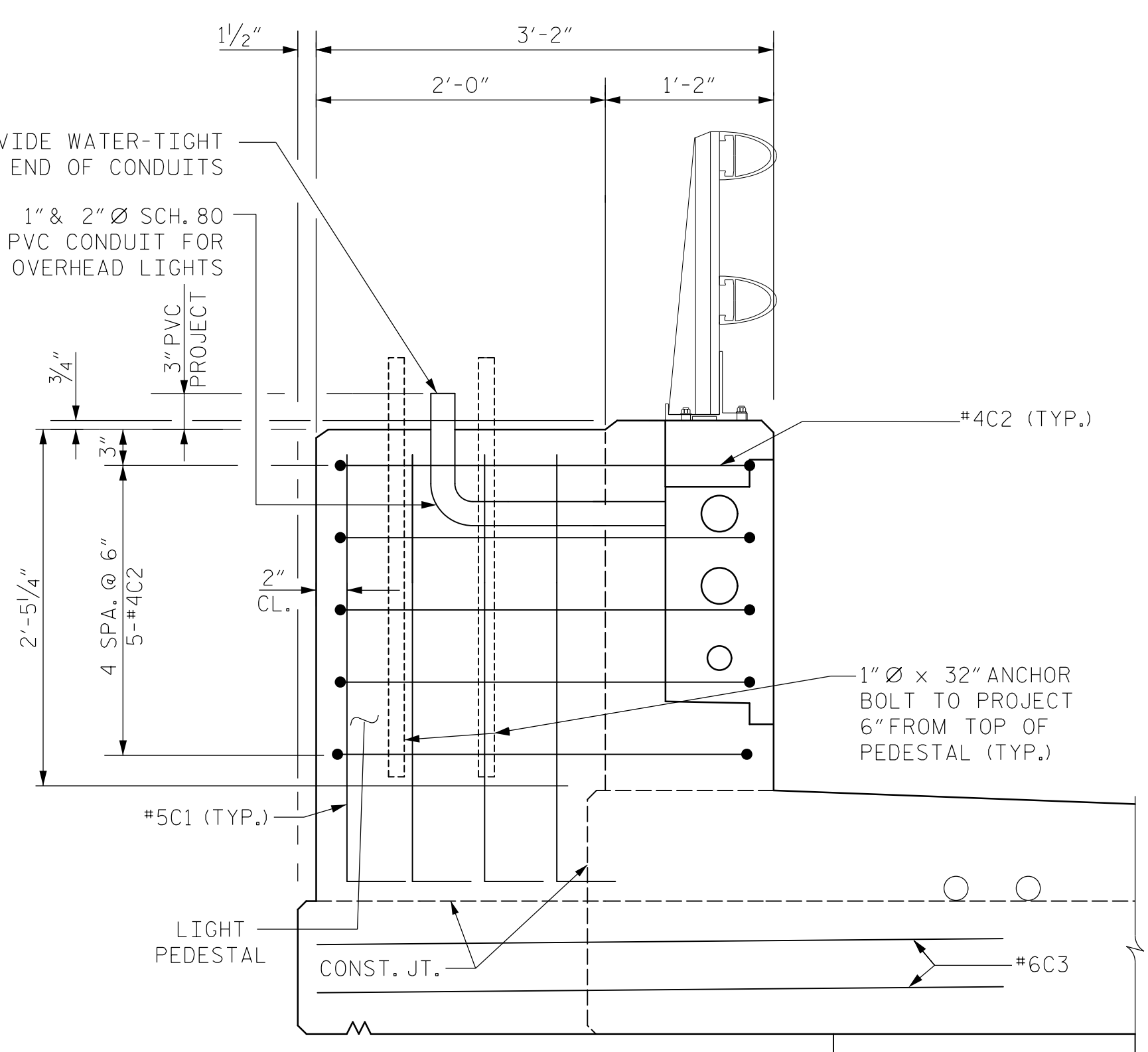
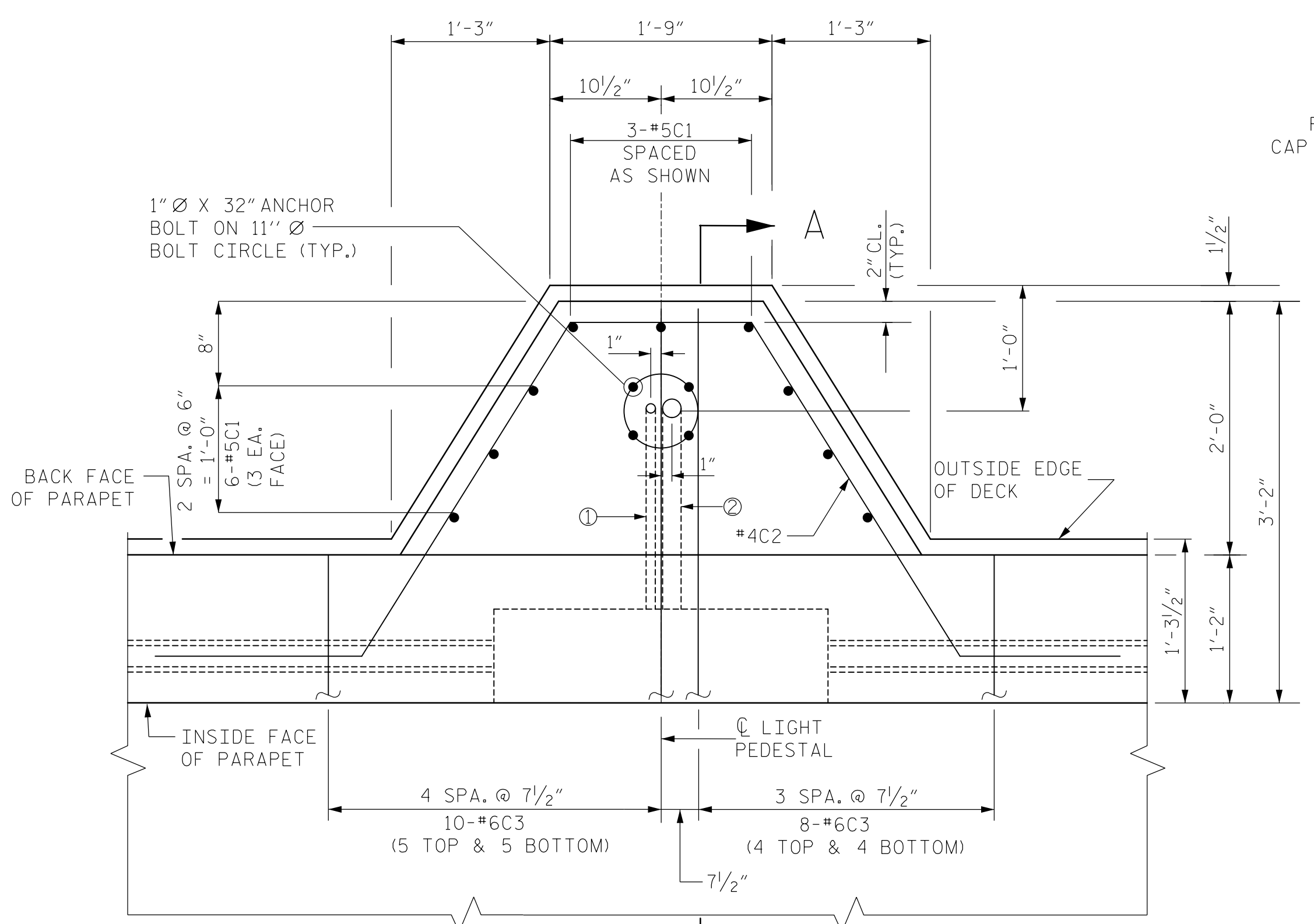
### PLAN OF PEDESTAL LOCATION

BILL OF MATERIAL					
ONE LIGHT PEDESTAL (10 REQ'D)					
BAR	NO.	SIZE	TYPE	LENGTH	WEIGHT
*C1	9	#5	1	3'-11"	37
*C2	5	#4	2	9'-11"	33
*C3	18	#6	STR.	6'-1"	164
EPOXY COATED REINFORCING STEEL					LBS. 234
CLASS AA CONCRETE					C.Y. 0.7



### NOTES:

- UTILITIES NOT SHOWN.
- LOCATION OF ANCHOR BOLTS AND PVC CONDUITS FOR LIGHT POLES SHALL BE COORDINATED WITH DUKE ENERGY COMPANY PRIOR TO PLACEMENT OF THE LIGHT PEDESTAL CONCRETE. DUKE ENERGY COMPANY SHALL SUPPLY THE CONTRACTOR WITH ANCHOR BOLTS FOR THE LIGHT POLES. ANCHOR BOLTS SHALL BE CAST IN PLACE.
- DUKE ENERGY COMPANY WILL SUPPLY AND INSTALL THE WIRING, POLES AND LIGHTS.
- THE PVC CONDUIT SHALL BE U.L. APPROVED. LOCATE WATERTIGHT EXPANSION COUPLINGS FOR PVC CONDUIT AT BENT 3 AND EACH END BENT.
- FOR DETAILS ON CONDUIT LOCATION, SEE SHEET TITLED "CONDUIT AND JUNCTION BOX DETAILS."
- CONCRETE FOR THE LIGHT PEDESTAL SHALL BE CLASS AA CONCRETE.
- ALL ITEMS (INCLUDING, BUT NOT LIMITED TO CONCRETE, PVC CONDUIT, AND LABOR) REQUIRED TO CONSTRUCT THE LIGHT PEDESTAL SHALL BE INCLUDED IN THE UNIT BID PRICE FOR "1'-2" x 2'-6" CONCRETE PARAPET."
- LIGHT PEDESTAL IS REQUIRED TO BE BONDED TO THE FENCE. CONTRACTOR SHALL COORDINATE WITH DUKE ENERGY FOR BONDING DETAILS.
- ELECTRICAL DETAILS SHALL BE SUBMITTED TO THE ENGINEER AT LEAST 60 DAYS PRIOR TO POURING THE DECK CONCRETE.
- CONTRACTOR MAY PROVIDE CONSTRUCTION JOINTS IN THE PARAPET AS NECESSARY TO FACILITATE SLIP FORMING.
- CONTRACTOR SHALL INSTALL NON-DETERIORATING "STRINGS" IN ALL CONDUITS PRIOR TO POURING CONCRETE FOR THE PARAPET AND LIGHT PEDESTALS. THESE "STRINGS" WILL FACILITATE THE WIRING INSTALLATION FOR THE OVERHEAD LIGHTS AND FUTURE UTILITIES. THE "STRINGS" SHALL BE DIFFERENT COLORS FOR EACH INDIVIDUAL CONDUIT.
- CONTRACTOR MAY SHIFT REINFORCING STEEL SLIGHTLY TO AVOID INTERFERENCE WITH CONDUIT, ANCHOR BOLTS, AND/OR METAL RAIL ANCHORS.
- CONTRACTOR SHALL COORDINATE WITH DUKE ENERGY TO HAVE DUKE ENERGY INSTALL AND WIRE THE LIGHTS PRIOR TO INSTALLING 2-BAR METAL RAIL.



### PLAN VIEW OF PEDESTAL

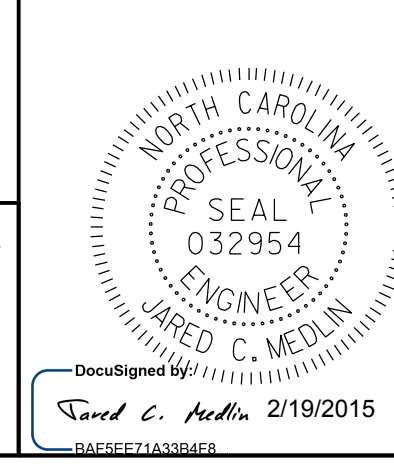
### SECTION A-A

(PARAPET REINFORCING NOT SHOWN FOR CLARITY.)

- ① 1" Ø SCH. 80 PVC CONDUIT
- ② 2" Ø SCH. 80 PVC CONDUIT

PROJECT NO. U-5008  
MECKLENBURG COUNTY  
 STATION: 20+45.05 -L- P.O.T. =  
14+54.24 -Y4- P.O.T.

REVISIONS					
NO.	BY:	DATE:	NO.	BY:	DATE:
1			3		
2			4		



**KCI ASSOCIATES OF NC, P.A.**  
 9741 SOUTHERN PINE BLVD  
 SUITE J  
 CHARLOTTE, NC 28273  
 704-499-9452  
 NC LICENSE No. C-0764

2/18/2015 1:10:07 PM Y:\0-cwings\2011 DWG\Structures\RFC\SH40\_U-5008\_SD\_UT.dgn

DRAWN BY: J. LOUIS DATE: 10/15/14  
 CHECKED BY: R. C. LARSON DATE: 10/20/14

SHEET NO. S-40  
 SHEETS 78