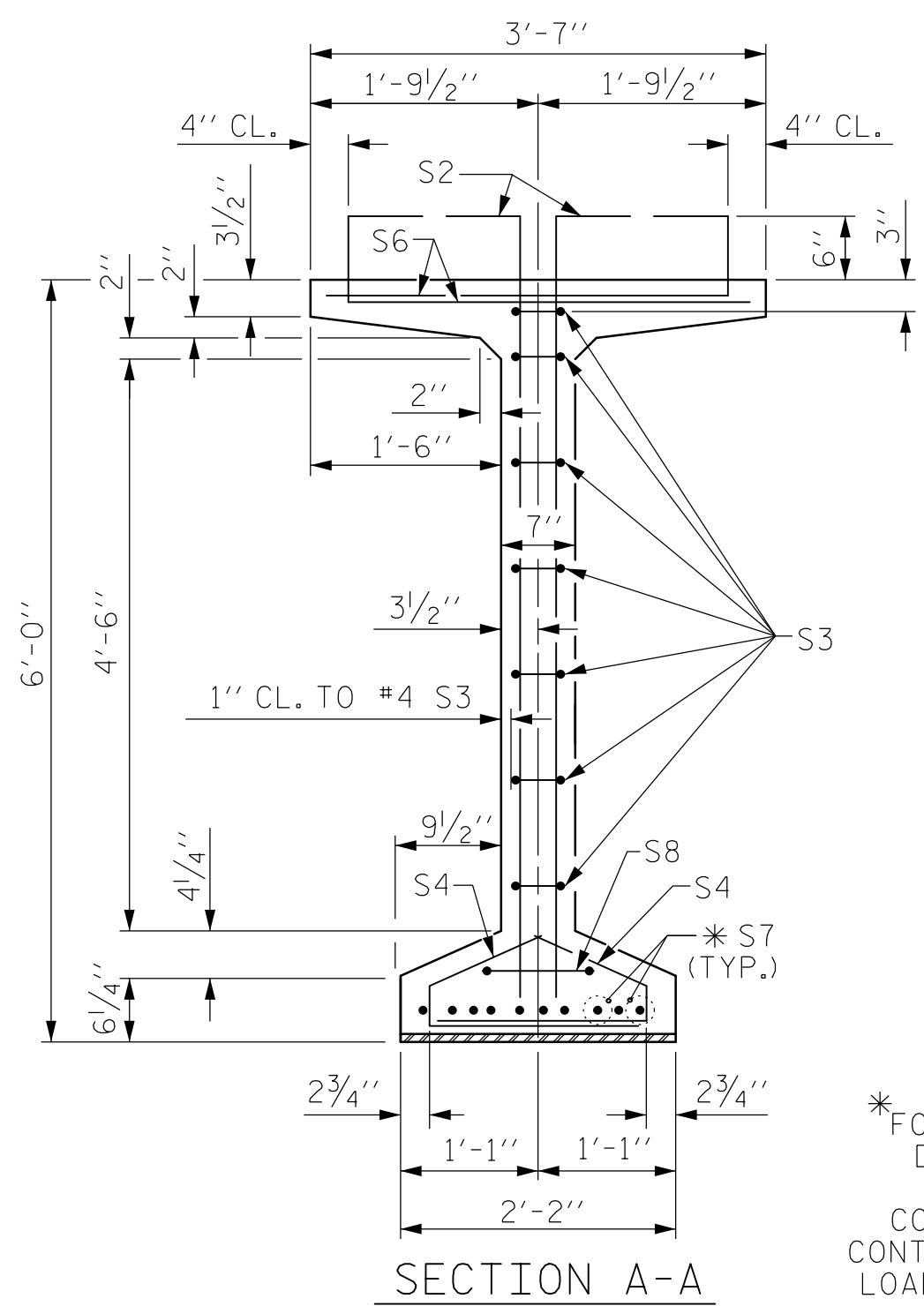
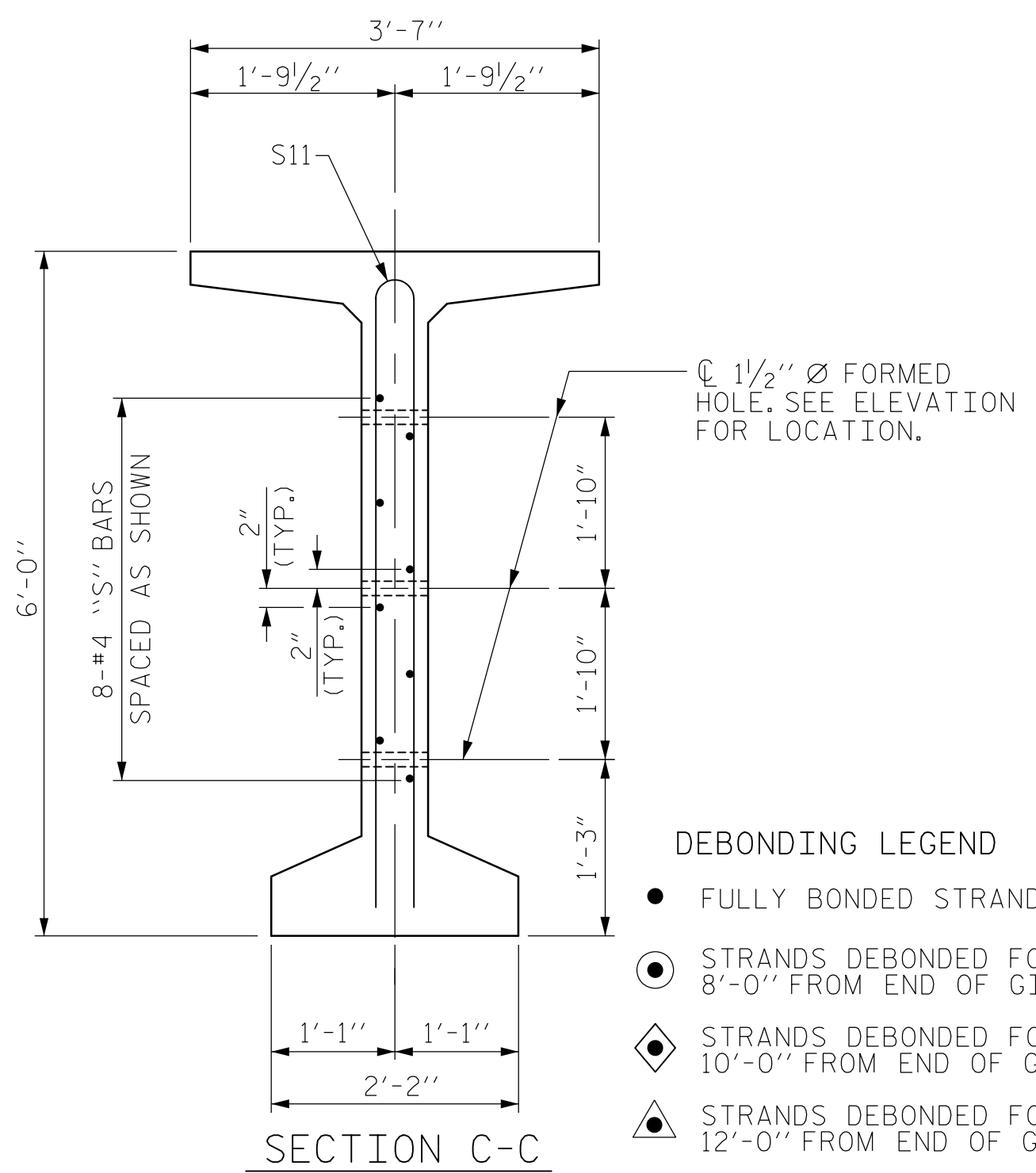


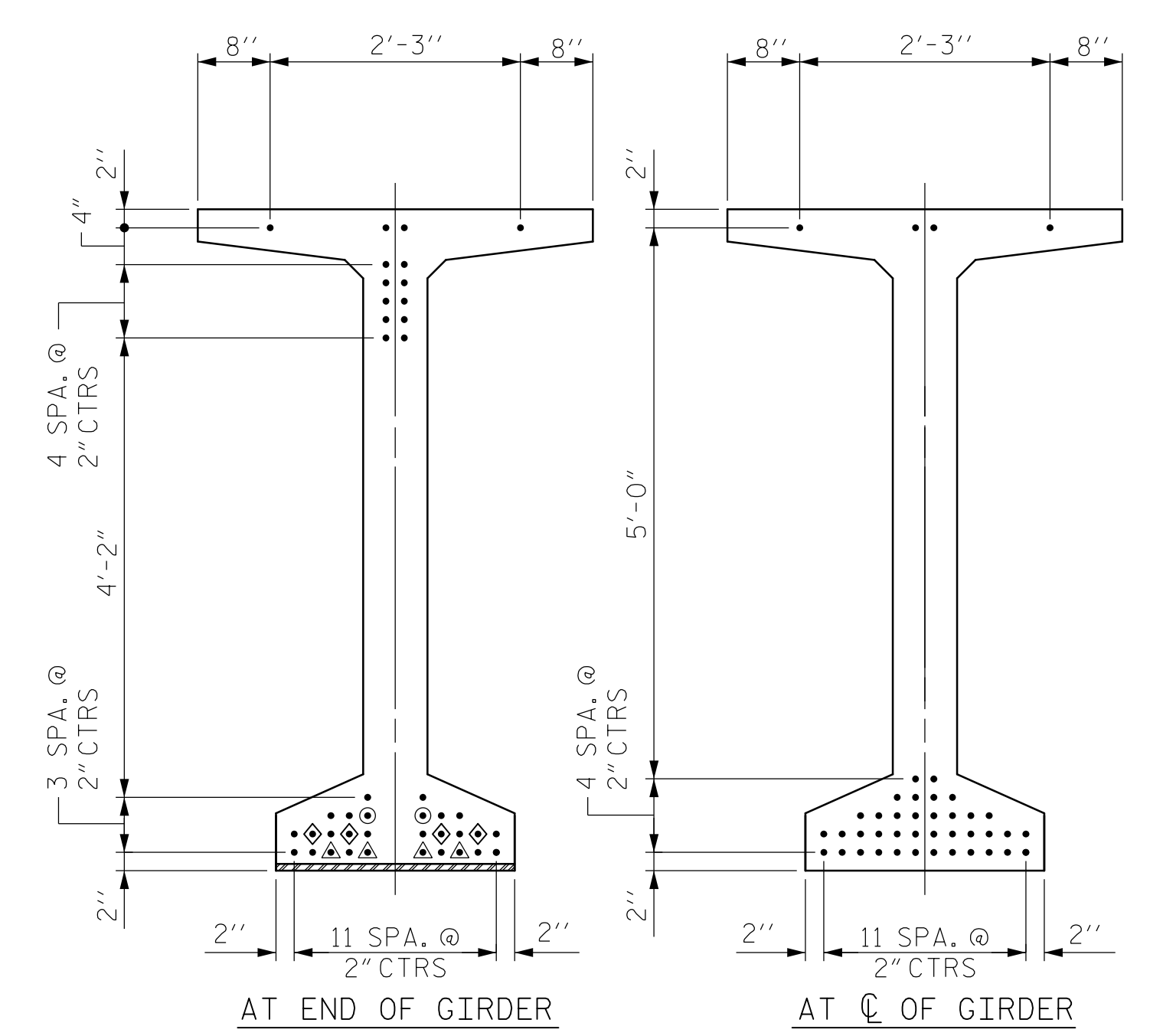
0400DEL_P30



*FOR S7 BARS, SEE
DETAIL "C" OF
PRESTRESSED
CONCRETE GIRDER
CONTINUOUS FOR LIVE
LOAD DETAILS SHEET



DEBONDING LEGEND
 ● FULLY BONDED STRANDS
 ○ STRANDS DEBONDED FOR 8'-0" FROM END OF GIRDER
 ◇ STRANDS DEBONDED FOR 10'-0" FROM END OF GIRDER
 ▲ STRANDS DEBONDED FOR 12'-0" FROM END OF GIRDER



0.6" Ø LOW RELAXATION STRAND LAYOUT

GIRDER	"A"	"B"	"C"	"D"	"E"	"F"
F1	118'-6 3/8"	59'-3 3/16"	79'-9 3/8"	53	54	39'-6 1/8"
F2	118'-8 1/2"	59'-4 1/4"	79'-11 1/2"	53	54	39'-8 1/8"
F3	118'-10 3/8"	59'-5 1/16"	80'-1 1/8"	53	54	39'-9 7/16"
F4	119'-0 3/4"	59'-6 3/8"	80'-3 3/4"	53	54	39'-10 3/4"
F5	119'-2 1/8"	59'-7 1/16"	80'-5 1/8"	53	54	40'-0"
F6	119'-5"	59'-8 1/2"	80'-8"	53	54	40'-1 3/8"
F7	119'-7 1/8"	59'-9 9/16"	80'-10 1/8"	53	54	40'-2 5/8"
F8	119'-9 1/4"	59'-10 3/8"	81'-0 1/4"	54	55	40'-3 1/8"

GIRDER	"G"	"H"	"J"	"K"	"L"	"M"	"N"	"P"	"R"
F1	39'-8 1/2"	206	226	54	1,468	1,021	183	3,394	25.4
F2	39'-9 3/8"	206	226	54	1,468	1,021	183	3,394	25.4
F3	39'-10 3/16"	206	226	54	1,468	1,021	183	3,394	25.5
F4	39'-11"	206	226	54	1,468	1,021	183	3,394	25.5
F5	39'-11 7/8"	206	226	54	1,468	1,021	183	3,394	25.6
F6	40'-0 3/8"	206	226	54	1,468	1,021	183	3,394	25.6
F7	40'-1 1/2"	206	226	54	1,468	1,021	183	3,394	25.7
F8	40'-2 3/8"	208	228	55	1,482	1,030	186	3,420	25.7

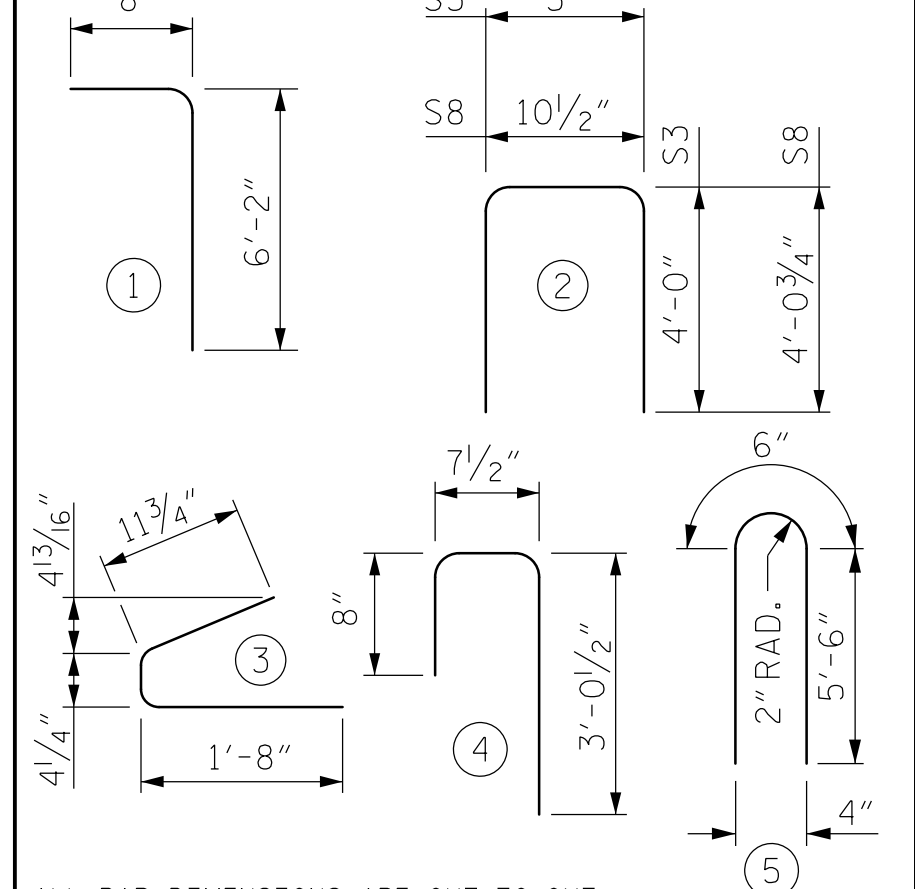
0.6" Ø L. R. GRADE 270 STRANDS		
AREA (SQUARE INCHES)	ULTIMATE STRENGTH (LBS. PER STRAND)	APPLIED PRESTRESS (LBS. PER STRAND)
0.217	58,600	43,950

REINFORCING STEEL FOR ONE GDR

BAR NUMBER	SIZE	TYPE	LENGTH	WEIGHT
S1	#5	1	6'-10"	L
S2	#6	1	6'-10"	205
S3	#4	2	8'-5"	79
S4	#4	3	3'-0"	160
S6	#5	4	4'-4"	M
*S7	#5	STR	3'-8"	76
S8	#5	2	9'-0"	19
S9	#5	STR	3'-3"	N
S10	#3	STR	1'-10"	1
S11	#5	5	11'-6"	96
S12	#4	STR	8'-0"	86

*NOTE: S7 BARS SHALL BE BENT BEFORE SHIPMENT. HEAT BENDING SHALL NOT BE ALLOWED.

BAR TYPES



ALL BAR DIMENSIONS ARE OUT-TO-OUT

QUANTITIES FOR ONE GIRDER

GIRDER	REINFORCING STEEL	8,000 PSI CONCRETE	0.6" Ø L.R. STRANDS
	LB.	C.Y.	No.
GIRDER	"P"	"R"	42

GIRDERS REQUIRED

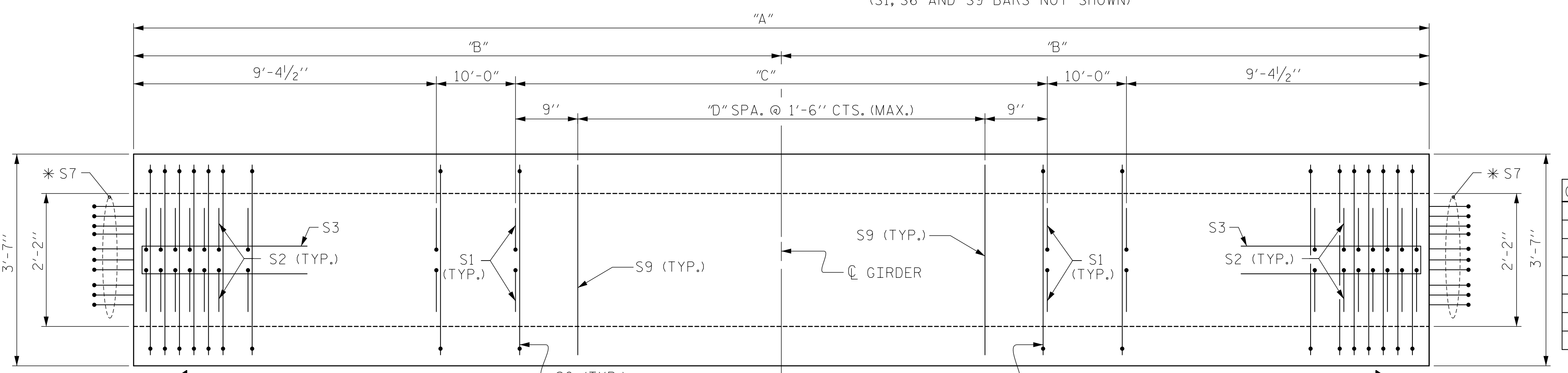
NUMBER	LENGTH	TOTAL LENGTH
8	"A"	953'-2 1/2"

PROJECT NO. U-5008
 MECKLENBURG COUNTY
 STATION: 20+45.05 -L- P.O.T. = 14+54.24 -Y4- P.O.T.

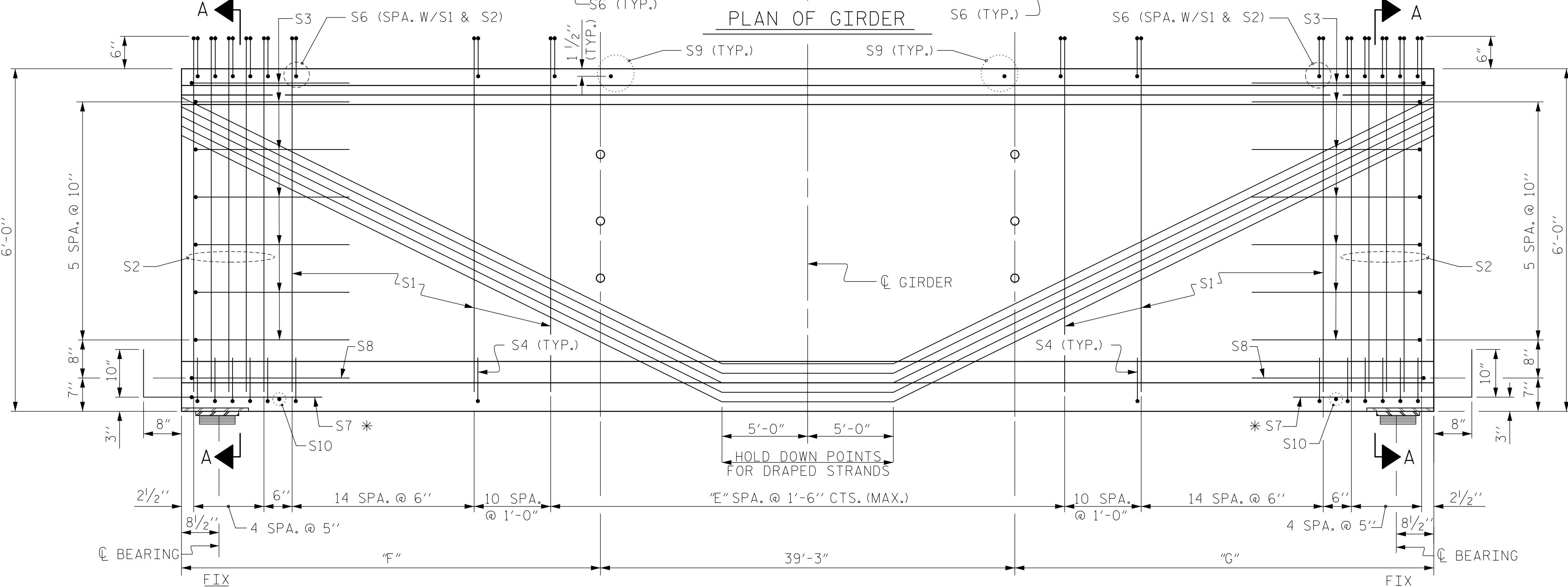
STATE OF NORTH CAROLINA
 DEPARTMENT OF TRANSPORTATION
 RALEIGH

72" PRESTRESSED CONCRETE
 MODIFIED BULB TEE
 CONTINUOUS FOR LIVE LOAD
 SPAN F

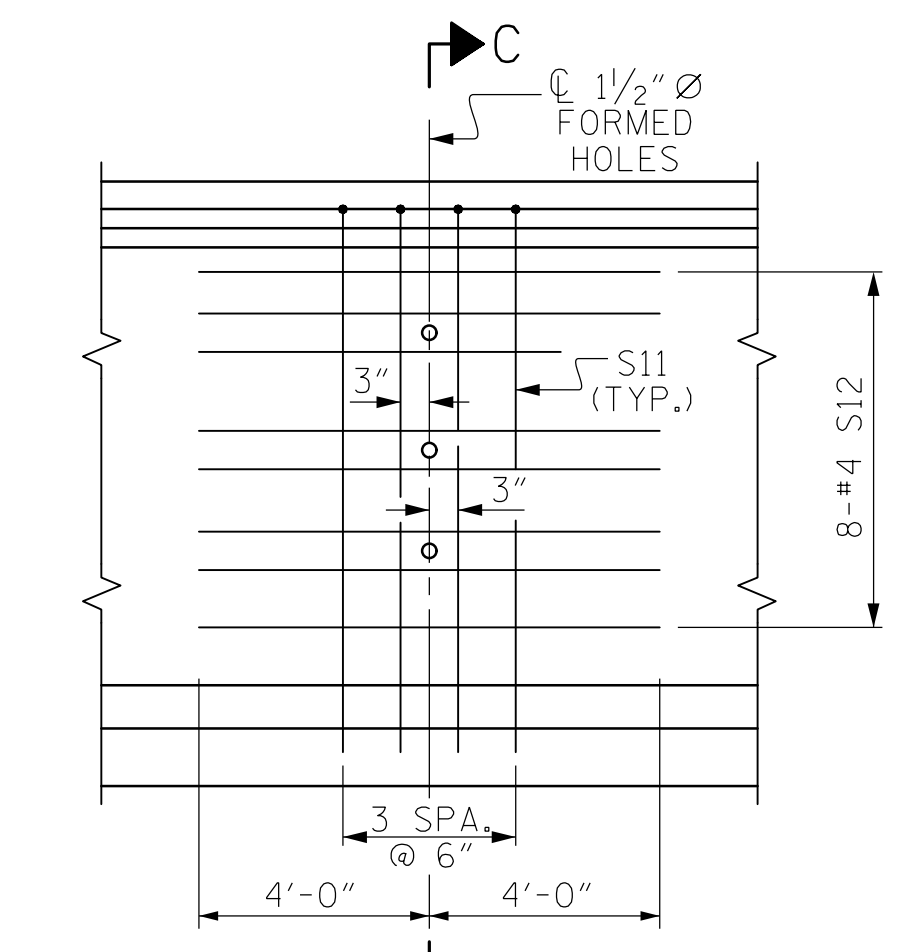
REVISIONS						SHEET NO.	
NO.	BY:	DATE:	NO.	BY:	DATE:	S-26	
1			3			SHEETS 78	
2			4				



PLAN OF GIRDER

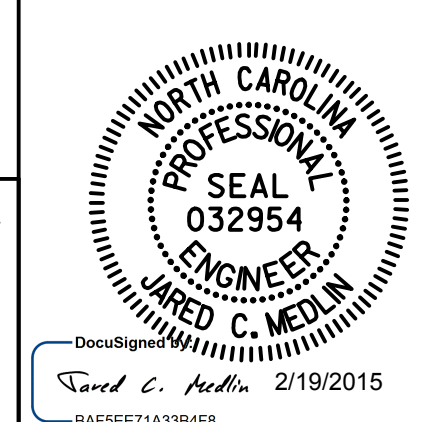


ELEVATION OF GIRDER



PARTIAL ELEVATION

SHOWING INTERMEDIATE STEEL DIAPHRAGM REINFORCING STEEL FOR GIRDERS



2/18/2015 1:10:07 PM Y:\D:\ewings\2011 DWG\NBI1-11 Sugar Creek Rd - NCDOT\Structures\RFC\SH26-U-5008_SD_PCC-1 Span F.dgn

DRAWN BY: M.S.BURGESS DATE: OCT. 2014
 CHECKED BY: J.C.MEDLIN DATE: OCT. 2014